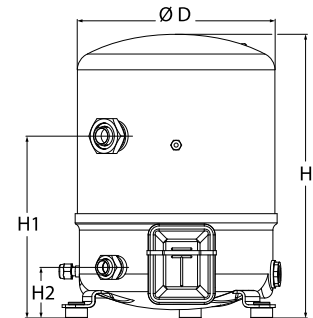


General Characteristics

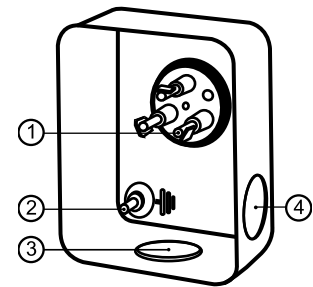
Model number (on compressor nameplate)		MT72HN4AVE
Code number for Singlepack*		MT72-4VI
Code number for Industrial pack**		MT72-4VM
Drawing number		8502012g
Suction and discharge connections		Rotolock
Suction connection		1-3/4 " Rotolock
Discharge connection		1-1/4 " Rotolock
Suction connection with supplied sleeve		7/8 " ODF
Discharge connection with supplied sleeve		3/4 " ODF
Oil sight glass		Threaded
Oil equalization connection		3/8" flare SAE
Oil drain connection		None
LP gauge port		Schrader
IPR valve		435 psi / 115 psi
Cylinders		2
Swept volume		7.38 in3/rev
Displacement @ Nominal speed		743 cfh @ 2900 rpm - 897 cfh @ 3500 rpm
Net weight		88 lbs
Oil charge		61 oz, Mineral - 160P
Maximum system test pressure Low Side / High side		363 psi / 435 psi
Maximum differential test pressure		435 psi
Maximum number of starts per hour		12
Refrigerant charge limit		11 lbs
Approved refrigerants		R22, R417A-160PZ

Dimensions



D=11.3 inch, H=16.3 inch,
H1=10.4 inch, H2=2.9 inch

Terminal box



IP55 (with cable gland)

- 1: Spade connectors 1/4"
- 2: Earth M4-12
- 3: Knock-out Ø 21 mm (0.83")
- 4: Hole Ø 21 mm (0.83")

Electrical Characteristics

Nominal voltage	380-400V/3/50Hz - 460V/3/60Hz
Voltage range	340-440 V @ 50Hz - 414-506 V @ 60Hz
Winding resistance (between phases) +/- 7% at 77°F	1.9 Ω
Maximum Continuous Current (MCC)	15.5 A
Locked Rotor Amps (LRA)	80 A
Motor protection	Internal overload protector

Recommended Installation torques

Oil sight glass	37 ft.lbs
Power connections / Earth connection	ft.lbs / 1 ft.lbs
Mounting bolts	11 ft.lbs

Parts shipped with compressor

Mounting kit with grommets, bolts, nuts, sleeves and washers
Suction & Discharge solder sleeves, rotolock nuts and gaskets (shipped with rotolock version only)
Initial oil charge
Installation instructions

Approvals : CE certified, UL certified (file SA6873), -

*Singlepack: Compressor in cardboard box

**Industrial pack: 6 Unboxed compressors on pallet (order per multiples of 6)

Rotolock accessories, suction side
Code no.

Solder sleeve, P07 (1-3/4" Rotolock, 7/8" ODF)	8153013
Angle adapter, C07 (1-3/4" Rotolock, 7/8" ODF)	8168008
Rotolock valve, V07 (1-3/4" Rotolock, 7/8" ODF)	8168032
Gasket, 1-3/4"	8156132

Rotolock accessories, discharge side
Code no.

Solder sleeve, P04 (1-1/4" Rotolock, 3/4" ODF)	8153008
Angle adapter, C04 (1-1/4" Rotolock, 3/4" ODF)	8168006
Rotolock valve, V04 (1-1/4" Rotolock, 3/4" ODF)	8168029
Gasket, 1-1/4"	8156131

Rotolock accessories, sets
Code no.

Angle adapter set, C07 (1-3/4"~7/8"), C04 (1-1/4"~3/4")	7703013
Valve set, V07 (1-3/4"~7/8"), V04 (1-1/4"~3/4")	7703006
Gasket set, 1", 1-1/4", 1-3/4", OSG gaskets black & white	8156009

Oil / lubricants
Code no.

Mineral oil, 160P, 2 liter can	7754001
Mineral oil, 160P, 5 liter can	7754002

Crankcase heaters
Code no.

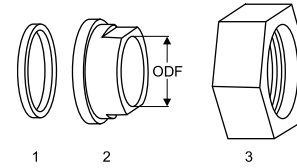
PTC heater 27W	120Z0459
Belt type crankcase heater, 65 W, 230 V, CE mark, UL	7773107
Belt type crankcase heater, 65 W, 400 V, CE mark, UL	7773117
Belt type crankcase heater, 65 W, 460 V, CE mark, UL	120Z0466

Miscellaneous accessories
Code no.

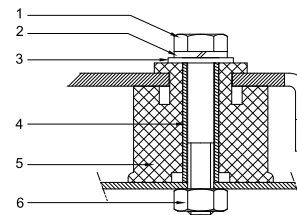
Electronic soft start kit, MCI 15 C	7705006
Acoustic hood for 2 cylinder compressor	7755002
Oil equalisation nut	8153127

Spare parts
Code no.

Mounting kit for 1 and 2 cylinder compressor, including 3 grommets, 3 bolts	8156001
Oil sight glass with gaskets (black & white)	8156019
Gasket for oil sight glass (black chloroprene)	8156145
Service kit for terminal box 80 x 96 mm, including 1 cover, 1 clamp	8156134

Gaskets, sleeves and nuts


- 1: Gasket
- 2: Solder sleeve
- 3: Rotolock nut

Mounting kit


- 1: Bolt (3x)
- 2: Lock washer (3x)
- 3: Flat washer (3x)
- 4: Sleeve (3x)
- 5: Grommet (3x)
- 6: Nut (3x)

Performance data at 60 Hz, ARI rating conditions

R22

Cond. temp. in °F (tc)	Evaporating temperature in °F (to)							
	-10	0	10	20	30	40	45	50

Cooling capacity in Btu/h

90	21 172	29 913	40 349	52 680	67 106	83 827	93 111	103 043	113 650
100	18 807	27 174	37 128	48 870	62 601	78 520	87 362	96 827	106 938
110	16 802	24 723	34 125	45 208	58 172	73 217	81 582	90 543	100 124
120	-	22 619	31 398	41 750	53 877	67 978	75 831	84 252	93 268
130	-	-	29 006	38 557	49 776	62 861	70 167	78 014	86 428
140	-	-	-	35 688	45 927	57 927	64 649	71 886	79 663
150	-	-	-	-	42 390	53 233	59 336	65 928	73 033

Power input in W

90	3 377	3 859	4 336	4 790	5 207	5 572	5 730	5 870	5 989
100	3 565	4 070	4 576	5 066	5 525	5 939	6 123	6 291	6 440
110	3 773	4 306	4 844	5 374	5 880	6 347	6 560	6 759	6 939
120	-	4 567	5 144	5 719	6 275	6 799	7 044	7 275	7 490
130	-	-	5 478	6 101	6 713	7 299	7 577	7 843	8 094
140	-	-	-	6 524	7 196	7 848	8 162	8 464	8 755
150	-	-	-	-	7 727	8 449	8 800	9 143	9 474

Current consumption in A

90	5.72	6.19	6.68	7.17	7.64	8.07	8.25	8.42	8.56
100	5.90	6.40	6.94	7.48	8.01	8.50	8.73	8.93	9.11
110	6.10	6.65	7.23	7.83	8.43	9.00	9.26	9.51	9.74
120	-	6.93	7.57	8.24	8.91	9.56	9.87	10.16	10.44
130	-	-	7.96	8.70	9.45	10.19	10.55	10.89	11.22
140	-	-	-	9.22	10.06	10.90	11.30	11.70	12.09
150	-	-	-	-	10.74	11.68	12.14	12.60	13.04

Mass flow in lbs/h

90	283	394	524	674	847	1 045	1 154	1 270	1 393
100	261	373	502	651	823	1 019	1 127	1 242	1 364
110	244	354	481	628	797	990	1 096	1 210	1 330
120	-	339	463	606	771	960	1 064	1 175	1 292
130	-	-	449	588	747	930	1 031	1 139	1 253
140	-	-	-	573	726	902	999	1 102	1 213
150	-	-	-	-	709	876	969	1 068	1 174

Energy Efficiency Ratio (E.E.R.)

90	6.27	7.75	9.31	11.00	12.89	15.04	16.25	17.55	18.98
100	5.28	6.68	8.11	9.65	11.33	13.22	14.27	15.39	16.61
110	4.45	5.74	7.04	8.41	9.89	11.54	12.44	13.40	14.43
120	-	4.95	6.10	7.30	8.59	10.00	10.77	11.58	12.45
130	-	-	5.30	6.32	7.41	8.61	9.26	9.95	10.68
140	-	-	-	5.47	6.38	7.38	7.92	8.49	9.10
150	-	-	-	-	5.49	6.30	6.74	7.21	7.71

Nominal performance at to = 45 °F, tc = 130 °F

Cooling capacity	70 167	Btu/h	Current consumption	10.55	A
Power input	7 577	W	Mass flow	1 031	lbs/h
E.E.R.	9.26				

Pressure switch settings

Maximum HP switch setting	402	psi(g)
Minimum LP switch setting	3	psi(g)
LP pump down setting	13	psi(g)

T 0 : Evaporating temperature at dew point

T C : Condensing temperature at dew point

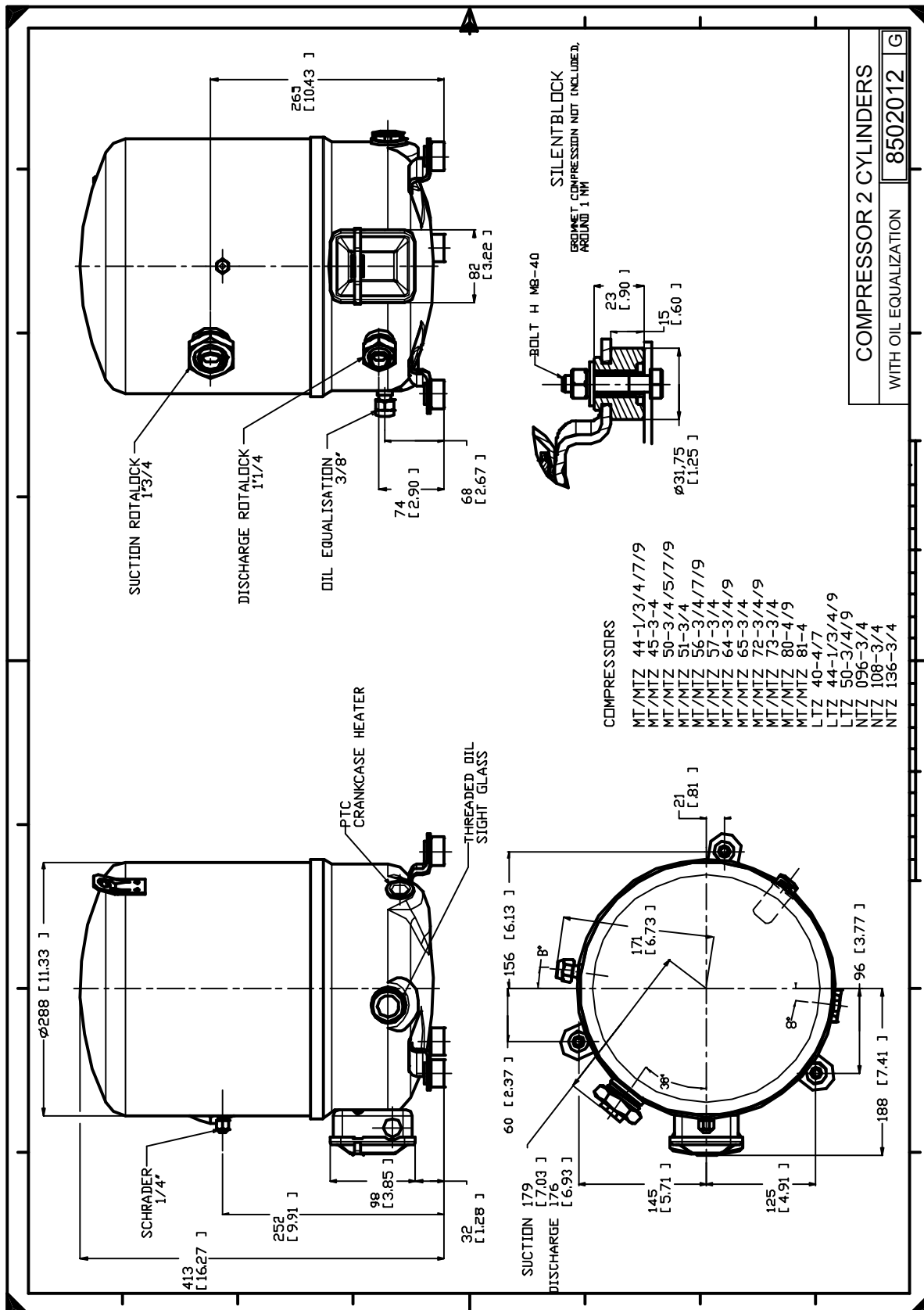
Rating conditions : Superheat = 20 °F , Subcooling = 15 °F

All performance data +/- 5%

Sound power data

Sound power level	0	dB(A)
With acoustic hood	0	dB(A)

Danfoss can accept no responsibility for possible errors in catalogues, brochures and other printed material. Danfoss reserves the right to alter its products without notice. This also applies to products already on order provided that such alternations can be made without subsequential changes being necessary in specifications already agreed. All trademarks in this material are property of the respective companies. Danfoss, the Danfoss logotype and Maneurop are trademarks of Danfoss A/S. All rights reserved.



Danfoss can accept no responsibility for possible errors in catalogues, brochures and other printed material. Danfoss reserves the right to alter its products without notice. This also applies to products already on order provided that such alternations can be made without subsequential changes being necessary in specifications already agreed. All trademarks in this material are property of the respective companies. Danfoss, the Danfoss logotype and Maneurop are trademarks of Danfoss A/S. All rights reserved.