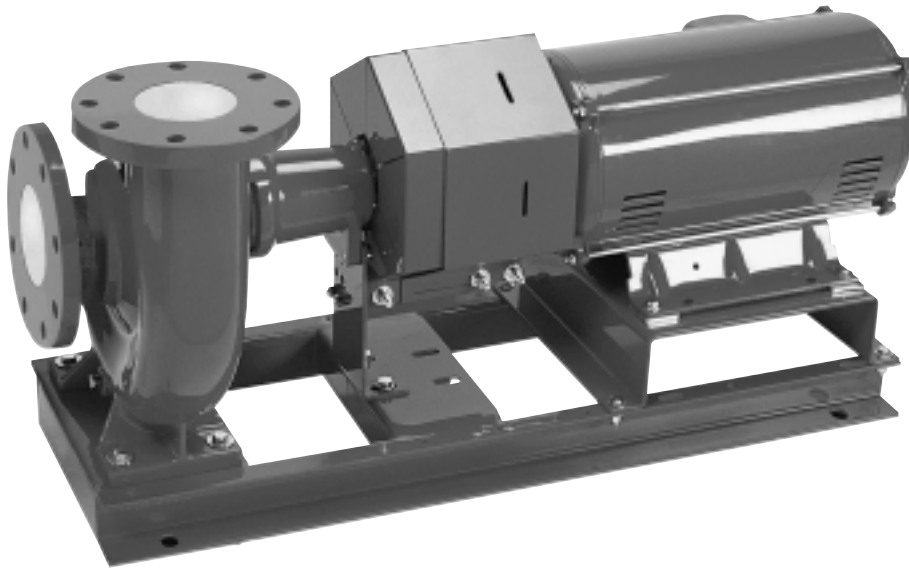


Bell & Gossett®
Parts List CP-207H-PL



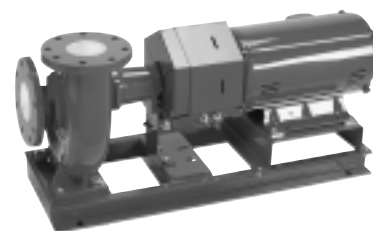
Replacement Parts for
**Standard
Design Pumps**

Engineered for life

SERIES 1510

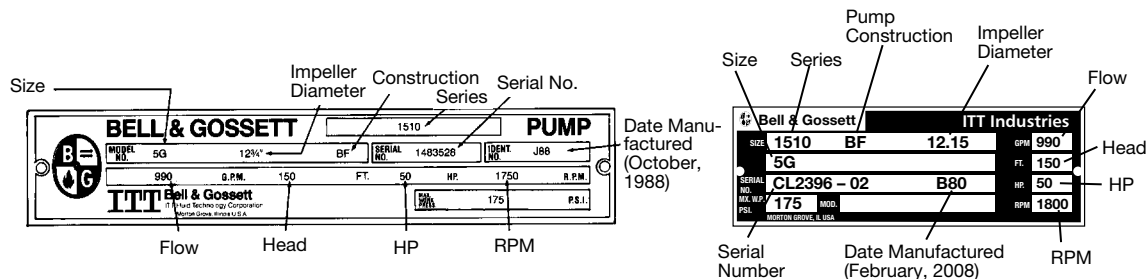
Index

How to Use This Parts List	3
Exploded Parts View of 1510 Standard Seal Design Pump	4
Exploded Parts View of 1510 Bearing Frame Assembly	4
Series 1510 Pump Bearing Frame Selection Chart	5
Standard Size Designations - Series 1510 Standard Pumps	6
1 ¹ / ₄ AB Pump Parts	7
1 ¹ / ₄ AC Pump Parts	7
1 ¹ / ₂ AB Pump Parts	8
1 ¹ / ₂ AC Pump Parts	9
2AB Pump Parts	10
2AC Pump Parts	10
2 ¹ / ₂ A Pump Parts	11
2 ¹ / ₂ AB Pump Parts	11
3AB Pump Parts	12
3AC Pump Parts	13
4AB Pump Parts	14
4AC Pump Parts	15
5A Pump Parts	16
1 ¹ / ₄ BB Pump Parts	17
1 ¹ / ₄ BC Pump Parts	18
1 ¹ / ₂ BB & 1 ¹ / ₂ BC Pump Parts	19
2BB Pump Parts	20
2BC Pump Parts	21
2 ¹ / ₂ B Pump Parts	22
2 ¹ / ₂ BB Pump Parts	23
3BB Pump Parts	24
3BC Pump Parts	25
4BB Pump Parts	26
4BC Pump Parts	27
5BB Pump Parts	28
5BC Pump Parts	29
6BB & 6BC Pump Parts	30
2CB Pump Parts	31
3CB Pump Parts	32
4CB Pump Parts	33
5CB Pump Parts	34
6CB Pump Parts	35
2E Pump Parts	36
3E Pump Parts	37
4E Pump Parts	38
5E Pump Parts	39
6E Pump Parts	40
2G Pump Parts	41
3G Pump Parts	42
4G Pump Parts	43
4GB Pump Parts	44
5G Pump Parts	45
6G Pump Parts	46
8G Pump Parts	See CP-206-PL Parts List
Sleeve Bearing Frame Assembly - Exploded View and Parts List	47
Series 1510 Coupler Selection Table	48
ANSI/OSHA Guard & Bracket Kit Selection Chart	49



How to use this PARTS LIST

The pump nameplate identifies the pump by pipe size, pump construction and impeller diameter as shown below. Pumps manufactured in 2001 and before have a nameplate similar to the nameplate below left. Pumps manufactured in 2001 and after have a nameplate similar to the one below right. Although the nameplates look different, they each display the same information.



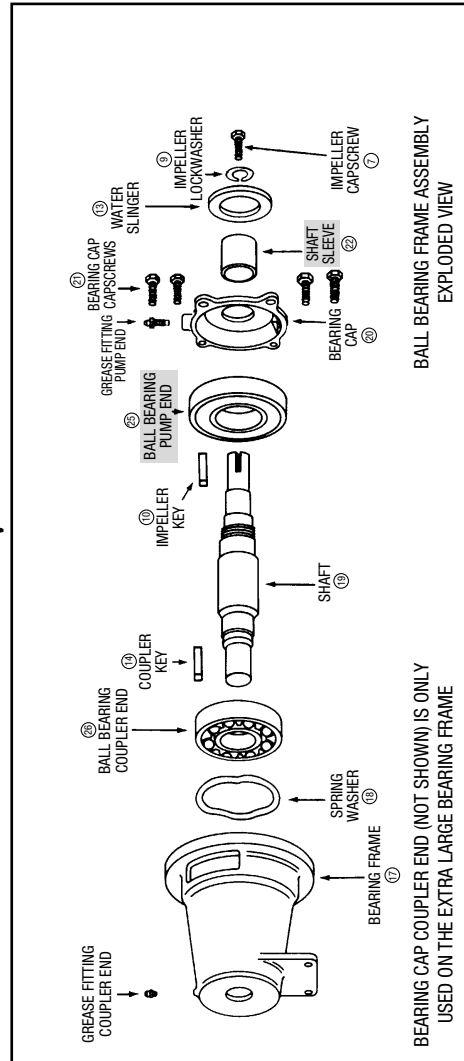
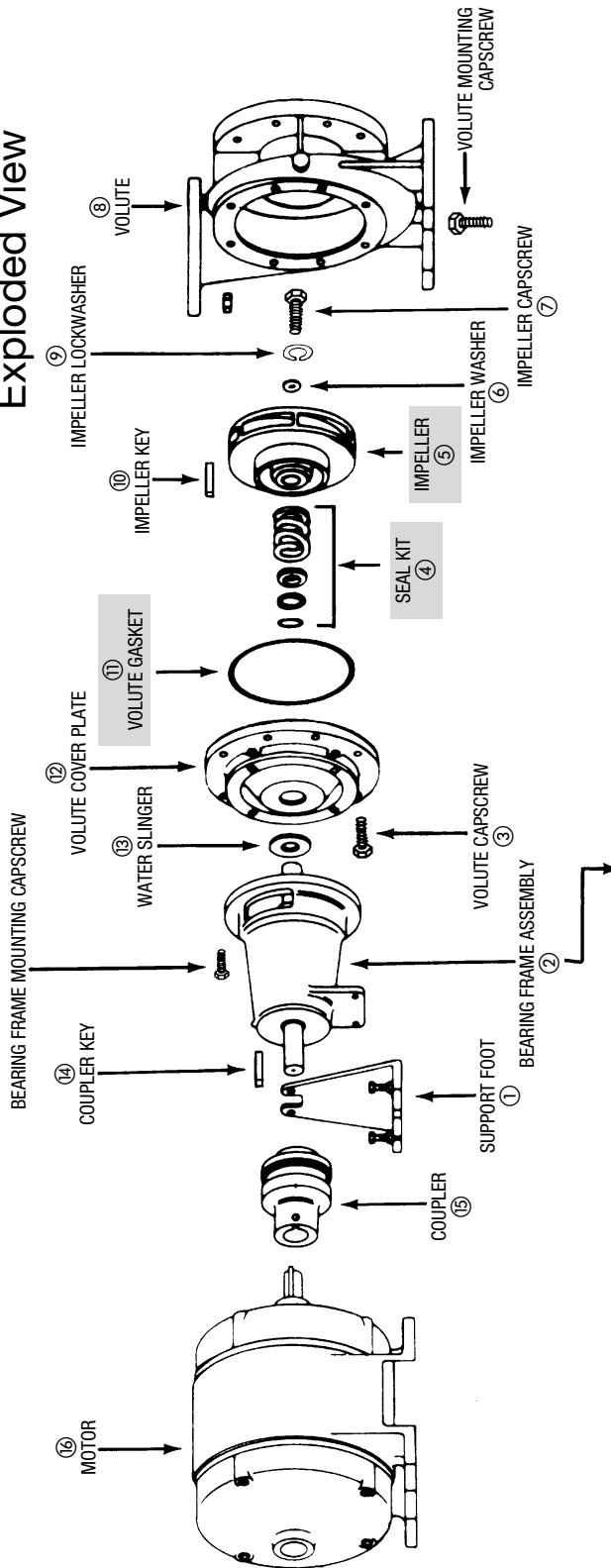
The nameplates above identify the pump in the example as a Series 1510, size 5G in bronze fitted (BF) construction. The impeller diameter is 12³/₄", and the motor is 50 hp, 1750 RPM. The serial number specifically identifies the unit for future reference. **DO NOT REMOVE THE NAMEPLATE.** It is important when ordering replacement parts to furnish complete nameplate data.

The 1510 pump is furnished with both "Standard Seal" or "Stuffing Box" configuration. The "Standard Seal" pump has no seal designation after the Series number on the nameplate. If the example pump was of "Stuffing Box" configuration, the nameplate would show it to be a 1510-S, 1510-PF or 1510-D pump. Parts for "Stuffing Box" type pumps are covered under the CP-206E-PL parts list.

To ensure the correct parts are selected, use the following procedure:

1. Determine from the nameplate the pump size, seal configuration, pump construction and impeller diameter.
2. Measure shaft sleeve diameter at the seal.
3. Refer to the index for the page number of the parts breakdown for the specific size pump.
4. Find the proper column in the parts breakdown for the pump construction involved.
5. Select part numbers using the numbered drawings on page 4 for identification. Where shaft diameter affects parts selection, use the measurement secured in Step 2.
6. Bearing frames vary with motor frame sizes. Use the motor frame number (found on the motor nameplate) to select the proper bearing frame from the chart on page 5.

SERIES 1510 Standard Seal Design Pump Exploded View



USED ON LARGE BEARING FRAMES ONLY
MANUF. BEFORE JAN. 1995 (A59)

BEARING LOCKWASHER P77375
BEARING LOCKNUT P78922

BALL BEARING FRAME ASSEMBLY
EXPLODED VIEW

BEARING CAP COUPLER END (NOT SHOWN) IS ONLY
USED ON THE EXTRA LARGE BEARING FRAME

- Factory recommended
spare parts.

Series 1510 Pump Bearing Frame Selection Chart — Standard Seal — T Frame Motors

Frame #	1 1/2" Diameter Shaft at Seal										1 5/8" Diameter Shaft at Seal										2 1/8" Diameter Shaft at Seal							
	SMALL BEARING FRAME										LARGE BEARING FRAME										EXTRA LARGE BEARING FRAME*							
	143T	145T	182T	184T	213T	215T	254T	256T	213T	215T	254T	256T	284T	284TS	286T	286TS	324T	324TS	326T	326TS	364T	364TS	365T	365TS	404TS	405TS	444TS	445TS
56	X	X	X	X	X	X	X	X	X	X	X	X	X	X	X	X	X	X	X	X	X	X	X	X	X	X	X	X
1 1/2"AC	X	X	X	X	X	X	X	X	X	X	X	X	X	X	X	X	X	X	X	X	X	X	X	X	X	X	X	X
1 1/2"AC	X	X	X	X	X	X	X	X	X	X	X	X	X	X	X	X	X	X	X	X	X	X	X	X	X	X	X	X
2"AC	X	X	X	X	X	X	X	X	X	X	X	X	X	X	X	X	X	X	X	X	X	X	X	X	X	X	X	X
2 1/2"AB	X	X	X	X	X	X	X	X	X	X	X	X	X	X	X	X	X	X	X	X	X	X	X	X	X	X	X	X
3"AC	X	X	X	X	X	X	X	X	X	X	X	X	X	X	X	X	X	X	X	X	X	X	X	X	X	X	X	X
4"AC	X	X	X	X	X	X	X	X	X	X	X	X	X	X	X	X	X	X	X	X	X	X	X	X	X	X	X	X
5"A	X	X	X	X	X	X	X	X	X	X	X	X	X	X	X	X	X	X	X	X	X	X	X	X	X	X	X	X
1 1/2"BC	X	X	X	X	X	X	X	X	X	X	X	X	X	X	X	X	X	X	X	X	X	X	X	X	X	X	X	X
1 1/2"BC	X	X	X	X	X	X	X	X	X	X	X	X	X	X	X	X	X	X	X	X	X	X	X	X	X	X	X	X
2"BC	X	X	X	X	X	X	X	X	X	X	X	X	X	X	X	X	X	X	X	X	X	X	X	X	X	X	X	X
2 1/2"BB	X	X	X	X	X	X	X	X	X	X	X	X	X	X	X	X	X	X	X	X	X	X	X	X	X	X	X	X
3"BC	X	X	X	X	X	X	X	X	X	X	X	X	X	X	X	X	X	X	X	X	X	X	X	X	X	X	X	X
4"BC	X	X	X	X	X	X	X	X	X	X	X	X	X	X	X	X	X	X	X	X	X	X	X	X	X	X	X	X
5"BC	X	X	X	X	X	X	X	X	X	X	X	X	X	X	X	X	X	X	X	X	X	X	X	X	X	X	X	X
6"BC	X	X	X	X	X	X	X	X	X	X	X	X	X	X	X	X	X	X	X	X	X	X	X	X	X	X	X	X
2"E	X	X	X	X	X	X	X	X	X	X	X	X	X	X	X	X	X	X	X	X	X	X	X	X	X	X	X	X
3"E	X	X	X	X	X	X	X	X	X	X	X	X	X	X	X	X	X	X	X	X	X	X	X	X	X	X	X	X
4"E	X	X	X	X	X	X	X	X	X	X	X	X	X	X	X	X	X	X	X	X	X	X	X	X	X	X	X	X
5"E	X	X	X	X	X	X	X	X	X	X	X	X	X	X	X	X	X	X	X	X	X	X	X	X	X	X	X	X
6"E	X	X	X	X	X	X	X	X	X	X	X	X	X	X	X	X	X	X	X	X	X	X	X	X	X	X	X	X
2"G	X	X	X	X	X	X	X	X	X	X	X	X	X	X	X	X	X	X	X	X	X	X	X	X	X	X	X	X
3"G	X	X	X	X	X	X	X	X	X	X	X	X	X	X	X	X	X	X	X	X	X	X	X	X	X	X	X	X
4"GB	X	X	X	X	X	X	X	X	X	X	X	X	X	X	X	X	X	X	X	X	X	X	X	X	X	X	X	X
5"G	X	X	X	X	X	X	X	X	X	X	X	X	X	X	X	X	X	X	X	X	X	X	X	X	X	X	X	X
6"G	X	X	X	X	X	X	X	X	X	X	X	X	X	X	X	X	X	X	X	X	X	X	X	X	X	X	X	X

X FOR 1150 RPM OR 1750 RPM APPLICATIONS
 XX FOR 3450 RPM APPLICATIONS
 * USED ON 6G PUMPS WITH IMPELLER DIAMETER LARGER THAN 12 1/2"

Above chart refers to current production pumps only

STANDARD SIZE DESIGNATIONS

SERIES 1510 STANDARD PUMPS

STANDARD SIZE	EQUIVALENT SIZE	IMPELLER NUMBER 5	IMPELLER DIAMETER	HP	RPM
*101T	1½AB	P47956 [†]	6¼"	1	1750
*102T	1½AB	P47952 [†]	6⅞"	1½	1750
*103T	1½BB	P78531	7¾"	2	1750
*104T	1½BB	P78528	8½"	3	1750
*105T	1½BB	P78523	9½"	5	1750
*106T	2½A	P49000 [†]	6¼"	2	1750
*106T-SB	2½A	P49000 [†]	6¾"	2	1750
*106TB	2½AB	P50717	6⅞"	2	1750
*107T	3AB	P78280 [†]	6¾"	3	1750
*107T-SB	3AB	P78280 [†]	6¾"	3	1750
*108T	2½B	P78525 [†]	8¼"	5	1750
*108T-SB	2½B	P78525 [†]	8¼"	5	1750
*108TB	2½BB	P50733	8¼"	5	1750
*109T	2½B	P78525 [†]	9½"	7½	1750
*109TB	2½BB	P50732	9½"	7½	1750
*1010T	4BB	P50550 [†]	7½"	5	1750
*1010TB	4AC	P50762	6⅞"	5	1750
*1011T	4BB	P50550 [†]	8⅞"	7½	1750
*1011TB	4BC	P50750	7¾"	7½	1750
*1012T	4BB	P50550 [†]	9⅞"	10	1750
*1012TB	4BC	P50749	8½"	10	1750

SB Indicates Sleeve Bearing Motor and Bearing Assembly.

[†]Pump Obsolete. Some parts still available.

[‡]Consult Factory for Delivery.

■ – Factory recommended spare parts.

1 1/4 AB

ITEM NO.	DESCRIPTION	PUMP CONSTRUCTION			
		BRONZE FITTED	BRONZE FITTED WITH WEAR RING	ALL IRON	ALL BRONZE
8	Volute	N/A**	N/A**	N/A**	N/A**
	Wear Ring	—	P46700	—	—
	Volute Drain Plug (4)	P39020	P39020	P39030	P39470
3	Volute Capscrew (8)	P40020	P40020	P40020	P52310
11	Volute Gasket	P57700	P57700	P57700	P57700
15	Coupler	See Coupler Selection Table, Page 48			
14	Coupler Key (Straight) Aug. 1989 (H89) & After	P49373	P49373	P49373	P49373
14	Coupler Key (Woodruff) July 1989 (G98) & Before	H32600	H32600	H32600	H32600
	For ANSI/OSHA Coupling Guard & Support Bracket Kit Selection, See Chart on Page 49				
5	Impeller (State Diameter) 7" Full Dia.	P46630 [†]	P46630 [†]	N/A**	P46630 [†]
6	Impeller Washer	P46380	P46380	P46381	P46390
12	Volute Coverplate	186482	186482	186482	P56779
4	Seal Kit Buna/Carbon/Ceramic	186862	186862	186860	186862
4	Seal Kit EPR/Carbon/Tungsten Carbide	186861	186861	NONE	186861
2	Bearing Frame Assembly Consisting of:	185011	185011	185012	185013
17	Bearing Frame	P77103	P77103	P77103	P77103
19 & 22	Shaft & Sleeve Kit	185308	185308	P78927+	P79018+
20	Bearing Cap	P75606	P75606	P75606	P75606
25	Ball Bearing – Pump End	186002	186002	186002	186002
26	Ball Bearing – Coupler End	186001	186001	186001	186001
22	Shaft Sleeve	185140	185140	185141	NONE
7	Impeller Capscrew	P52350	P52350	P52350	P52350
9	Impeller Lockwasher	J23874	J23874	J23874	J23874
10	Impeller Key (Straight) Aug. 1989 (H98) & After	P49369	P49369	P49369	P49369
10	Impeller Key (Woodruff) July 1989 (G98) & Before	H32500	H32500	H32500	H32500
18	Spring Washer	J92558	J92558	J92558	J92558
21	Bearing Cap Capscrew (4)	J92291	J92291	J92291	J92291
13	Water Slinger	P53550	P53550	P53550	P53550

1 1/4 AC

ITEM NO.	DESCRIPTION	PUMP CONSTRUCTION			
		BRONZE FITTED	BRONZE FITTED WITH WEAR RING	ALL IRON	ALL BRONZE
8	Volute	P41612	P44141*	P41612	P41614 [†]
	Wear Ring	—	P46700	—	—
	Volute Drain Plug (4)	P39020	P39020	P39030	P39470
3	Volute Capscrew (8)	P40020	P40020	P40020	P52310
11	Volute Gasket	P57700	P57700	P57700	P57700
15	Coupler	See Coupler Selection Table, Page 48			
14	Coupler Key (Straight) Aug. 1989 (H98) & After	P49373	P49373	P49373	P49373
14	Coupler Key (Woodruff) July 1989 (G89) & Before	H32600	H32600	H32600	H32600
	For ANSI/OSHA Coupling Guard & Support Bracket Kit Selection, See Chart on Page 49				
5	Impeller (State Diameter) 7" Full Dia.	P50652	P50652	P50662 [†]	P50652
6	Impeller Washer	P46380	P46380	P46381	P46390
12	Volute Coverplate	186482	186482	186482	P56779
12	Volute Coverplate – "F" Construction	P61131	P61131	NONE	NONE
4	Seal Kit Buna/Carbon/Ceramic	186862	186862	186860	186862
4	Seal Kit EPR/Carbon/Tungsten Carbide	186861	186861	NONE	186861
2	Bearing Frame Assembly Consisting of:	185011	185011	185012	185013
17	Bearing Frame	P77103	P77103	P77103	P77103
19 & 22	Shaft & Sleeve Kit	185308	185308	P78927+	P79018+
20	Bearing Cap	P75606	P75606	P75606	P75606
25	Ball Bearing – Pump End	186002	186002	186002	186002
26	Ball Bearing – Coupler End	186001	186001	186001	186001
22	Shaft Sleeve	185140	185140	185141	NONE
7	Impeller Capscrew	P52350	P52350	P52350	P52350
9	Impeller Lockwasher	J23874	J23874	J23874	J23874
10	Impeller Key (Straight) Aug. 1989 (H98) & After	P49369	P49369	P49369	P49369
10	Impeller Key (Woodruff) July 1989 (G98) & Before	H32500	H32500	H32500	H32500
18	Spring Washer	J92558	J92558	J92558	J92558
21	Bearing Cap Capscrew (4)	J92291	J92291	J92291	J92291
13	Water Slinger	P53550	P53550	P53550	P53550

+ - Shaft only. Does not include sleeve or retaining compound. [†]Consult Factory for Delivery.

*Includes wear ring.

N/A – No Longer Available

— – Factory recommended spare parts.

**The impeller and/or volute are no longer available. This pump can be converted to the current style pump by ordering both the current style impeller and the current style volute.

1¹/₂AB

ITEM NO.	DESCRIPTION	PUMP CONSTRUCTION			
		BRONZE FITTED	BRONZE FITTED WITH WEAR RING	ALL IRON	ALL BRONZE
8	Volute	P41690	N/A**	P41690	N/A
	Wear Ring	—	P48660	—	—
	Volute Drain Plug (4)	P39020	P39020	P39030	P39470
3	Volute Capscrew (8)	P40020	P40020	P40020	P52310
11	Volute Gasket	P57700	P57700	P57700	P57700
15	Coupler	See Coupler Selection Table, Page 48			
14	Coupler Key (Straight) Aug. 1989 (H98) & After	P49373	P49373	P49373	P49373
14	Coupler Key (Woodruff) July 1989 (G98) & Before	H32600	H32600	H32600	H32600
	For ANSI/OSHA Coupling Guard & Support Bracket Kit Selection, See Chart on Page 49				
5	Impeller (State Diameter) 7" Full Dia.	P47950 [†]	P47950 [†]	P47810 [†]	P47950 [†]
6	Impeller Washer	P46380	P46380	P46381	P46390
12	Volute Coverplate	186482	186482	186482	P56779
12	Volute Coverplate - "F" Construction	P61131	P61131	NONE	NONE
4	Seal Kit Buna/Carbon/Ceramic	186862	186862	186860	186862
4	Seal Kit EPR/Carbon/Tungsten Carbide	186861	186861	NONE	186861
2	Bearing Frame Assembly Consisting of:	185011	185011	185012	185013
17	Bearing Frame	P77103	P77103	P77103	P77103
19 & 22	Shaft & Sleeve Kit	185308	185308	P78927+	P79018+
20	Bearing Cap	P75606	P75606	P75606	P75606
25	Ball Bearing - Pump End	186002	186002	186002	186002
26	Ball Bearing - Coupler End	186001	186001	186001	186001
22	Shaft Sleeve	185140	185140	185141	NONE
7	Impeller Capscrew	P52350	P52350	P52350	P52350
9	Impeller Lockwasher	J23874	J23874	J23874	J23874
10	Impeller Key (Straight) Aug. 1989 (H98) & After	P49369	P49369	P49369	P49369
10	Impeller Key (Woodruff) July 1989 (G98) & Before	H32500	H32500	H32500	H32500
18	Spring Washer	J92558	J92558	J92558	J92558
21	Bearing Cap Capscrew (4)	J92291	J92291	J92291	J92291
13	Water Slinger	P53550	P53550	P53550	P53550

+ - Shaft only. Does not include sleeve or retaining compound.

[†] - Factory recommended spare parts.

[†]Consult Factory for Delivery.

N/A - No Longer Available

**The impeller and/or volute are no longer available. This pump can be converted to the current style pump by ordering both the current style impeller and the current style volute.

1¹/₂AC

ITEM NO.	DESCRIPTION	PUMP CONSTRUCTION			
		BRONZE FITTED	BRONZE FITTED WITH WEAR RING	ALL IRON	ALL BRONZE
8	Volute	P45473	P45475*	P45473	Not Offered
	Wear Ring	—	P48660	—	
	Volute Drain Plug (4)	P39020	P39020	P39030	
3	Volute Capscrew (8)	P40020	P40020	P40020	
11	Volute Gasket	P57700	P57700	P57700	
15	Coupler	See Coupler Selection Table, Page 48			
14	Coupler Key (Straight) Aug. 1989 (H98) & After	P49373	P49373	P49373	
14	Coupler Key (Woodruff) July 1989 (G98) & Before	H32600	H32600	H32600	
	For ANSI/OSHA Coupling Guard & Support Bracket Kit Selection, See Chart on Page 49				
5	Impeller (State Diameter) 7" Full Dia.	P45492	P45492	P45495 [†]	
6	Impeller Washer	P46380	P46380	P46381	
12	Volute Coverplate	186482	186482	186482	
12	Volute Coverplate - "F" Construction	P61131	P61131	NONE	
4	Seal Kit Buna/Carbon/Ceramic	186862	186862	186860	
4	Seal Kit EPR/Carbon/Tungsten Carbide	186861	186861	NONE	
2	Bearing Frame Assembly Consisting of:	185011	185011	185012	
17	Bearing Frame	P77103	P77103	P77103	
19 & 22	Shaft & Sleeve Kit	185308	185308	P78927+	
20	Bearing Cap	P75606	P75606	P75606	
25	Ball Bearing - Pump End	186002	186002	186002	
26	Ball Bearing - Coupler End	186001	186001	186001	
22	Shaft Sleeve	185140	185140	185141	
7	Impeller Capscrew	P52350	P52350	P52350	
9	Impeller Lockwasher	J23874	J23874	J23874	
10	Impeller Key (Straight) Aug. 1989 (H98) & After	P49369	P49369	P49369	
10	Impeller Key (Woodruff) July 1989 (G98) & Before	H32500	H32500	H32500	
18	Spring Washer	J92558	J92558	J92558	
21	Bearing Cap Capscrew (4)	J92291	J92291	J92291	
13	Water Slinger	P53550	P53550	P53550	

* Includes wear ring.

+ - Shaft only. Does not include sleeve or retaining compound.

— Factory recommended spare parts.

[†]Consult Factory for Delivery.

2AB

ITEM NO.	DESCRIPTION	PUMP CONSTRUCTION			
		BRONZE FITTED	BRONZE FITTED WITH WEAR RING	ALL IRON	ALL BRONZE
8	Volute	N/A**	N/A**	N/A**	N/A**
	Wear Ring	—	P48660	—	—
	Volute Drain Plug (4)	P39040	P39040	P39050	P39480
3	Volute Capscrew (8)	P40020	P40020	P40020	P52310
11	Volute Gasket	P57700	P57700	P57700	P57700
15	Coupler	See Coupler Selection Table, Page 48			
14	Coupler Key (Straight) Aug. 1989 (H98) & After	P49373	P49373	P49373	P49373
14	Coupler Key (Woodruff) July 1989 (G98) & Before	H32600	H32600	H32600	H32600
	For ANSI/OSHA Coupling Guard & Support Bracket Kit Selection, See Chart on Page 49				
5	Impeller (State Diameter) 7" Full Dia.	P47950 [†]	P47950 [†]	P47810 [†]	P47950 [†]
6	Impeller Washer	P46380	P46380	P46381	P46390
12	Volute Coverplate	186482	186482	186482	P56779
4	Seal Kit Buna/Carbon/Ceramic	186862	186862	186860	186862
4	Seal Kit EPR/Carbon/Tungsten Carbide	186861	186861	NONE	186861
2	Bearing Frame Assembly Consisting of:	185011	185011	185012	185013
17	Bearing Frame	P77103	P77103	P77103	P77103
19 & 22	Shaft & Sleeve Kit	185308	185308	P78927+	P79018+
20	Bearing Cap	P75606	P75606	P75606	P75606
25	Ball Bearing - Pump End	186002	186002	186002	186002
26	Ball Bearing - Coupler End	186001	186001	186001	186001
22	Shaft Sleeve	185140	185140	185141	NONE
7	Impeller Capscrew	P52350	P52350	P52350	P52350
9	Impeller Lockwasher	J23874	J23874	J23874	J23874
10	Impeller Key (Straight) Aug. 1989 (H98) & After	P49369	P49369	P49369	P49369
10	Impeller Key (Woodruff) July 1989 (G98) & Before	H32500	H32500	H32500	H32500
18	Spring Washer	J92558	J92558	J92558	J92558
21	Bearing Cap Capscrew (4)	J92291	J92291	J92291	J92291
13	Water Slinger	P53550	P53550	P53550	P53550

2AC

ITEM NO.	DESCRIPTION	PUMP CONSTRUCTION			
		BRONZE FITTED	BRONZE FITTED WITH WEAR RING	ALL IRON	ALL BRONZE
8	Volute	P42254	P44143 [†]	P42254	P42256 [†]
	Wear Ring	—	P49145	—	—
	Volute Drain Plug (4)	P39040	P39040	P39050	P39480
3	Volute Capscrew (8)	P40020	P40020	P40020	P52310
11	Volute Gasket	P57700	P57700	P57700	P57700
15	Coupler	See Coupler Selection Table, Page 48			
14	Coupler Key (Straight) Aug. 1989 (H98) & After	P49373	P49373	P49373	P49373
14	Coupler Key (Woodruff) July 1989 (G98) & Before	H32600	H32600	H32600	H32600
	For ANSI/OSHA Coupling Guard & Support Foot Selection, See Chart on Page 49				
5	Impeller (State Diameter) 7" Full Dia.	P50684	P50684	P50696 [†]	P50684
6	Impeller Washer	P46380	P46380	P46381	P46390
12	Volute Coverplate	186482	186482	186482	P56779
12	Volute Coverplate -"F" Construction	P61131	P61131	NONE	NONE
4	Seal Kit Buna/Carbon/Ceramic	186862	186862	186860	186862
4	Seal Kit EPR/Carbon/Tungsten Carbide	186861	186861	NONE	186861
2	Bearing Frame Assembly Consisting of:	185011	185011	185012	185013
17	Bearing Frame	P77103	P77103	P77103	P77103
19 & 22	Shaft & Sleeve Kit	185308	185308	P78927+	P79018+
20	Bearing Cap	P75606	P75606	P75606	P75606
25	Ball Bearing - Pump End	186002	186002	186002	186002
26	Ball Bearing - Coupler End	186001	186001	186001	186001
22	Shaft Sleeve	185140	185140	185141	NONE
7	Impeller Capscrew	P52350	P52350	P52350	P52350
9	Impeller Lockwasher	J23874	J23874	J23874	J23874
10	Impeller Key (Straight) Aug. 1989 (H98) & After	P49369	P49369	P49369	P49369
10	Impeller Key (Woodruff) July 1989 (G98) & Before	H32500	H32500	H32500	H32500
18	Spring Washer	J92558	J92558	J92558	J92558
21	Bearing Cap Capscrew (4)	J92291	J92291	J92291	J92291
13	Water Slinger	P53550	P53550	P53550	P53550

+ - Shaft only. Does not include sleeve or retaining compound.

* Includes wear ring.

— Factory recommended spare parts.

N/A - No Longer Available

[†]Consult Factory for Delivery.

**The impeller and/or volute are no longer available. This pump can be converted to the current style pump by ordering both the current style impeller and the current style volute.

2¹/₂A

ITEM NO.	DESCRIPTION	PUMP CONSTRUCTION			
		BRONZE FITTED	BRONZE FITTED WITH WEAR RING	ALL IRON	ALL BRONZE
8	Volute	N/A**	N/A**	N/A**	N/A**
	Wear Ring	—	N/A	—	—
	Volute Drain Plug (4)	P39040	P39040	P39050	P39480
3	Volute Capscrew (8)	P40020	P40020	P40020	P52310
11	Volute Gasket	P57700	P57700	P57700	P57700
15	Coupler	See Coupler Selection Table, Page 48			
14	Coupler Key (Straight) Aug. 1989 (H98) & After	P49373	P49373	P49373	P49373
14	Coupler Key (Woodruff) July 1989 (H98) & Before	H32600	H32600	H32600	H32600
	For ANSI/OSHA Coupling Guard & Support Bracket Kit Selection, See Chart on Page 49				
5	Impeller (State Diameter) 7" Full Dia.	P49000 [†]	P49000 [†]	N/A**	P49000 [†]
6	Impeller Washer	P46380	P46380	P46381	P46390
12	Volute Coverplate	186482	186482	186482	P56779
4	Seal Kit Buna/Carbon/Ceramic	186862	186862	186860	186862
4	Seal Kit EPR/Carbon/Tungsten Carbide	186861	186861	NONE	186861
2	Bearing Frame Assembly Consisting of:	185011	185011	185012	185013
17	Bearing Frame	P77103	P77103	P77103	P77103
19 & 22	Shaft & Sleeve Kit	185308	185308	P78927+	P79018+
20	Bearing Cap	P75606	P75606	P75606	P75606
25	Ball Bearing - Pump End	186002	186002	186002	186002
26	Ball Bearing - Coupler End	186001	186001	186001	186001
22	Shaft Sleeve	185140	185140	185141	NONE
7	Impeller Capscrew	P52350	P52350	P52350	P52350
9	Impeller Lockwasher	J23874	J23874	J23874	J23874
10	Impeller Key (Straight) Aug. 1989 (H98) & After	P49369	P49369	P49369	P49369
10	Impeller Key (Woodruff) July 1989 (G98) & Before	H32500	H32500	H32500	H32500
18	Spring Washer	J92558	J92558	J92558	J92558
21	Bearing Cap Capscrew (4)	J92291	J92291	J92291	J92291
13	Water Slinger	P53550	P53550	P53550	P53550

2¹/₂AB

ITEM NO.	DESCRIPTION	PUMP CONSTRUCTION			
		BRONZE FITTED	BRONZE FITTED WITH WEAR RING	ALL IRON	ALL BRONZE
8	Volute	P42532	P44145*	P42532	P42534 [†]
	Wear Ring	—	P85399	—	—
	Volute Drain Plug (4)	P39040	P39040	P39050	P39480
3	Volute Capscrew (8)	P40020	P40020	P40020	P52310
11	Volute Gasket	P57700	P57700	P57700	P57700
15	Coupler	See Coupler Selection Table, Page 48			
14	Coupler Key (Straight) Aug. 1989 (H98) & After	P49373	P49373	P49373	P49373
14	Coupler Key (Woodruff) July 1989 (G98) & Before	H32600	H32600	H32600	H32600
	For ANSI/OSHA Coupling Guard & Support Bracket Kit Selection, See Chart on Page 49				
5	Impeller (State Diameter) 7" Full Dia.	P50716	P50716	P50727 [†]	P50716
6	Impeller Washer	P46380	P46380	P46381	P46390
12	Volute Coverplate	186482	186482	186482	P56779
12	Volute Coverplate -"F" Construction	P61131	P61131	NONE	NONE
4	Seal Kit Buna/Carbon/Ceramic	186862	186862	186860	186862
4	Seal Kit EPR/Carbon/Tungsten Carbide	186861	186861	NONE	186861
2	Bearing Frame Assembly Consisting of:	185011	185011	185012	185013
17	Bearing Frame	P77103	P77103	P77103	P77103
19 & 22	Shaft & Sleeve Kit	185308	185308	P78927+	P79018+
20	Bearing Cap	P75606	P75606	P75606	P75606
25	Ball Bearing - Pump End	186002	186002	186002	186002
26	Ball Bearing - Coupler End	186001	186001	186001	186001
22	Shaft Sleeve	185140	185140	185141	NONE
7	Impeller Capscrew	P52350	P52350	P52350	P52350
9	Impeller Lockwasher	J23874	J23874	J23874	J23874
10	Impeller Key (Straight) Aug. 1989 (H98) & After	P49369	P49369	P49369	P49369
10	Impeller Key (Woodruff) July 1989 (G98) & Before	H32500	H32500	H32500	H32500
18	Spring Washer	J92558	J92558	J92558	J92558
21	Bearing Cap Capscrew (4)	J92291	J92291	J92291	J92291
13	Water Slinger	P53550	P53550	P53550	P53550

+ - Shaft only. Does not include sleeve or retaining compound.

* Includes wear ring.

— - Factory recommended spare parts.

N/A - No Longer Available

[†]Consult Factory for Delivery.

**The impeller and/or volute are no longer available. This pump can be converted to the current style pump by ordering both the current style impeller and the current style volute.

3AB

ITEM NO.	DESCRIPTION	PUMP CONSTRUCTION			
		BRONZE FITTED	BRONZE FITTED WITH WEAR RING	ALL IRON	ALL BRONZE
Parts Common To Both Size Pumps					
8	Volute	P42970	P43859*	P42970	P42990†
	Wear Ring	—	P50650	—	—
	Volute Drain Plug (4)	P39040	P39040	P39050	P39480
11	Volute Gasket	P57700	P57700	P57700	P57700
15	Coupler	See Coupler Selection Table, Page 48			
14	Coupler Key (Straight) Aug. 1989 (H98) & After	P49373	P49373	P49373	P49373
14	Coupler Key (Woodruff) July 1989 (G98) & Before	H32600	H32600	H32600	H32600
	For ANSI/OSHA Coupling Guard & Support Bracket Kit Selection, See Chart on Page 49				
Parts for Pumps With 1/4" Shaft At Seal					
5	Impeller (State Diameter) 7" Full Dia.	P78280†	P78280†	P78310†	P78280†
6	Impeller Washer	P46380	P46380	P46381	P46390
3	Volute Capscrew (8)	P40020	P40020	P40020	P52310
12	Volute Coverplate	186482	186482	186482	P56779
12	Volute Coverplate - "F" Construction	P61131	P61131	NONE	NONE
4	Seal Kit Buna/Carbon/Ceramic	186862	186862	186860	186862
4	Seal Kit EPR/Carbon/Tungsten Carbide	186861	186861	NONE	186861
2	Bearing Frame Assembly Consisting of:	185011	185011	185012	185013
17	Bearing Frame	P77103	P77103	P77103	P77103
19 & 22	Shaft & Sleeve Kit	185308	185308	P78927+	P79018+
20	Bearing Cap	P75606	P75606	P75606	P75606
25	Ball Bearing - Pump End	186002	186002	186002	186002
26	Ball Bearing - Coupler End	186001	186001	186001	186001
22	Shaft Sleeve	185140	185140	185141	NONE
7	Impeller Capscrew	P52350	P52350	P52350	P52350
9	Impeller Lockwasher	J23874	J23874	J23874	J23874
10	Impeller Key (Straight) Aug. 1989 (H98) & After	P49369	P49369	P49369	P49369
10	Impeller Key (Woodruff) July 1989 (G98) & Before	H32500	H32500	H32500	H32500
18	Spring Washer	J92558	J92558	J92558	J92558
21	Bearing Cap Capscrew (4)	J92291	J92291	J92291	J92291
13	Water Slinger	P53550	P53550	P53550	P53550
Parts for Pumps With 1/8" Shaft At Seal					
5	Impeller (State Diameter) 7" Full Dia.	P77590†	P77590†	P77620†	P77590†
6	Impeller Washer	P51230	P51230	P46382	P51250
3	Volute Capscrew (8)	P44250	P44250	P44250	P44260
12	Volute Coverplate	P49940	P49940	P49940	P49960
12	Volute Coverplate - "F" Construction	P49941	P49941	NONE	NONE
4	Seal Kit Buna/Carbon/Ceramic	186543	186543	186544	186543
4	Seal Kit EPR/Carbon/Tungsten Carbide	185225	185225	NONE	185225
2	Bearing Frame Assembly Consisting of:	185014	185014	185015	185016
17	Bearing Frame	P77161	P77161	P77161	P77161
19	Shaft	P79027	P79027	P79027	P79028
20	Bearing Cap	P75612	P75612	P75612	P75612
25	Ball Bearing - Pump End	186571	186571	186571	186571
26	Ball Bearing - Coupler End	186572	186572	186572	186572
22	Shaft Sleeve	185142	185142	185143	NONE
7	Impeller Capscrew	P13800	P13800	P13800	P13800
9	Impeller Lockwasher	J23875	J23875	J23875	J23875
10	Impeller Key (Straight) Aug. 1989 (H98) & After	P49372	P49372	P49372	P49372
10	Impeller Key (Woodruff) July 1989 (G98) & Before	H32700	H32700	H32700	H32700
18	Spring Washer	J92560	J92560	J92560	J92560
21	Bearing Cap Capscrew (4)	DJ0066	DJ0066	DJ0066	DJ0066
13	Water Slinger	P53720	P53720	P53720	P53720

* Includes wear ring.

+ - Shaft only. Does not include sleeve or retaining compound.

† - Factory recommended spare parts.

†Consult Factory for Delivery.

N/A - No Longer Available

**The impeller and/or volute are no longer available. This pump can be converted to the current style pump by ordering both the current style impeller and the current style volute.

3AC

ITEM NO.	DESCRIPTION	PUMP CONSTRUCTION			
		BRONZE FITTED	BRONZE FITTED WITH WEAR RING	ALL IRON	ALL BRONZE
Parts Common To Both Size Pumps					
8	Volute	P42970	P43859*	P42970	P42990†
	Wear Ring	—	P50650	—	—
	Volute Drain Plug (4)	P39040	P39040	P39050	P39480
11	Volute Gasket	P57700	P57700	P57700	P57700
15	Coupler	See Coupler Selection Table, Page 48			
14	Coupler Key (Straight) Aug. 1989 (H98) & After	P49373	P49373	P49373	P49373
14	Coupler Key (Woodruff) July 1989 (G98) & Before	H32600	H32600	H32600	H32600
	For ANSI/OSHA Coupling Guard & Support Bracket Kit Selection, See Chart on Page 49				
Parts for Pumps With 1/4" Shaft At Seal					
5	Impeller (State Diameter) 7" Full Dia.	P71561	P71561	P71567†	P71561
6	Impeller Washer	P46380	P46380	P46381	P46390
3	Volute Capscrew (8)	P40020	P40020	P40020	P52310
12	Volute Coverplate	186482	186482	186482	P56779
12	Volute Coverplate - "F" Construction	P61131	P61131	NONE	NONE
4	Seal Kit Buna/Carbon/Ceramic	186862	186862	186860	186862
4	Seal Kit EPR/Carbon/Tungsten Carbide	186861	186861	NONE	186861
2	Bearing Frame Assembly Consisting of:	185011	185011	185012	185013
17	Bearing Frame	P77103	P77103	P77103	P77103
19 & 22	Shaft & Sleeve Kit	185308	185308	P78927+	P79018+
20	Bearing Cap	P75606	P75606	P75606	P75606
25	Ball Bearing - Pump End	186002	186002	186002	186002
26	Ball Bearing - Coupler End	186001	186001	186001	186001
22	Shaft Sleeve	185140	185140	185141	NONE
7	Impeller Capscrew	P52350	P52350	P52350	P52350
9	Impeller Lockwasher	J23874	J23874	J23874	J23874
10	Impeller Key (Straight) Aug. 1989 (H98) & After	P49369	P49369	P49369	P49369
10	Impeller Key (Woodruff) July 1989 (G98) & Before	H32500	H32500	H32500	H32500
18	Spring Washer	J92558	J92558	J92558	J92558
21	Bearing Cap Capscrew (4)	J92291	J92291	J92291	J92291
13	Water Slinger	P53550	P53550	P53550	P53550
Parts for Pumps With 1/8" Shaft At Seal					
5	Impeller (State Diameter) 7" Full Dia.	P71564	P71564	P71570†	P71564
6	Impeller Washer	P51230	P51230	P46382	P51250
3	Volute Capscrew (8)	P44250	P44250	P44250	P44260
12	Volute Coverplate	P49940	P49940	P49940	P49960
12	Volute Coverplate - "F" Construction	P49941	P49941	NONE	NONE
4	Seal Kit Buna/Carbon/Ceramic	186543	186543	186544	186543
4	Seal Kit EPR/Carbon/Tungsten Carbide	185225	185225	NONE	185225
2	Bearing Frame Assembly Consisting of:	185014	185014	185015	185016
17	Bearing Frame	P77161	P77161	P77161	P77161
19	Shaft	P79027	P79027	P79027	P79028
20	Bearing Cap	P75612	P75612	P75612	P75612
25	Ball Bearing - Pump End	186571	186571	186571	186571
26	Ball Bearing - Coupler End	186572	186572	186572	186572
22	Shaft Sleeve	185142	185142	185143	NONE
7	Impeller Capscrew	P13800	P13800	P13800	P13800
9	Impeller Lockwasher	J23875	J23875	J23875	J23875
10	Impeller Key (Straight) Aug. 1989 (H98) & After	P49372	P49372	P49372	P49372
10	Impeller Key (Woodruff) July 1989 (G98) & Before	H32700	H32700	H32700	H32700
18	Spring Washer	J92560	J92560	J92560	J92560
21	Bearing Cap Capscrew (4)	DJ0066	DJ0066	DJ0066	DJ0066
13	Water Slinger	P53720	P53720	P53720	P53720

* Includes wear ring.

+ - Shaft only. Does not include sleeve or retaining compound.

— Factory recommended spare parts.

†Consult Factory for Delivery.

4AB

ITEM NO.	DESCRIPTION	PUMP CONSTRUCTION			
		BRONZE FITTED	BRONZE FITTED WITH WEAR RING	ALL IRON	ALL BRONZE
Parts Common To Both Size Pumps					
8	Volute	N/A**	N/A**	N/A**	N/A
	Wear Ring	—	P50590	—	—
	Volute Drain Plug (4)	P39040	P39040	P39050	P39480
11	Volute Gasket	P57700	P57700	P57700	P57700
15	Coupler	See Coupler Selection Table, Page 48			
14	Coupler Key (Straight) Aug. 1989 (H98) & After	P49373	P49373	P49373	P49373
14	Coupler Key (Woodruff) July 1989 (G98) & Before	H32600	H32600	H32600	H32600
	For ANSI/OSHA Coupling Guard & Support Bracket Kit Selection, See Chart on Page 49				
Parts for Pumps With 1/4" Shaft At Seal					
5	Impeller (State Diameter) 7" Full Dia.	P56140†	P56140†	N/A**	P56140†
6	Impeller Washer	P46380	P46380	P46381	P46390
3	Volute Capscrew (8)	P40020	P40020	P40020	P52310
12	Volute Coverplate	186482	186482	186482	P56779
4	Seal Kit Buna/Carbon/Ceramic	186862	186862	186860	186862
4	Seal Kit EPR/Carbon/Tungsten Carbide	186861	186861	NONE	186861
2	Bearing Frame Assembly Consisting of:	185011	185011	185012	185013
17	Bearing Frame	P77103	P77103	P77103	P77103
19 & 22	Shaft & Sleeve Kit	185308	185308	P78927+	P79018+
20	Bearing Cap	P75606	P75606	P75606	P75606
25	Ball Bearing - Pump End	186002	186002	186002	186002
26	Ball Bearing - Coupler End	186001	186001	186001	186001
22	Shaft Sleeve	185140	185140	185141	NONE
7	Impeller Capscrew	P52350	P52350	P52350	P52350
9	Impeller Lockwasher	J23874	J23874	J23874	J23874
10	Impeller Key (Straight) Aug. 1989 (H98) & After	P49369	P49369	P49369	P49369
10	Impeller Key (Woodruff) July 1989 (G98) & Before	H32500	H32500	H32500	H32500
18	Spring Washer	J92558	J92558	J92558	J92558
21	Bearing Cap Capscrew (4)	J92291	J92291	J92291	J92291
13	Water Slinger	P53550	P53550	P53550	P53550
Parts for Pumps With 1/8" Shaft At Seal					
5	Impeller (State Diameter) 7" Full Dia.	P50310†	P50310†	N/A**	P50310†
6	Impeller Washer	P51230	P51230	P46382	P51250
3	Volute Capscrew (8)	P44250	P44250	P44250	P44260
12	Volute Coverplate	P49940	P49940	P49940	P49960
4	Seal Kit Buna/Carbon/Ceramic	186543	186543	186544	186543
4	Seal Kit EPR/Carbon/Tungsten Carbide	185225	185225	NONE	185225
2	Bearing Frame Assembly Consisting of:	185014	185014	185015	185016
17	Bearing Frame	P77161	P77161	P77161	P77161
19	Shaft	P79027	P79027	P79027	P79028
20	Bearing Cap	P75612	P75612	P75612	P75612
25	Ball Bearing - Pump End	186571	186571	186571	186571
26	Ball Bearing - Coupler End	186572	186572	186572	186572
22	Shaft Sleeve	185142	185142	185143	NONE
7	Impeller Capscrew	P13800	P13800	P13800	P13800
9	Impeller Lockwasher	J23875	J23875	J23875	J23875
10	Impeller Key (Straight) Aug. 1989 (H98) & After	P49372	P49372	P49372	P49372
10	Impeller Key (Woodruff) July 1989 (G98) & Before	H32700	H32700	H32700	H32700
18	Spring Washer	J92560	J92560	J92560	J92560
21	Bearing Cap Capscrew (4)	DJ0066	DJ0066	DJ0066	DJ0066
13	Water Slinger	P53720	P53720	P53720	P53720

+ - Shaft only. Does not include sleeve or retaining compound.

N/A - No Longer Available

— - Factory recommended spare parts.

†Consult Factory for Delivery.

**The impeller and/or volute are no longer available. This pump can be converted to the current style pump by ordering both the current style impeller and the current style volute.

4AC

ITEM NO.	DESCRIPTION	PUMP CONSTRUCTION			ALL BRONZE
		BRONZE FITTED	BRONZE FITTED WITH WEAR RING	ALL IRON	
Parts Common To Both Size Pumps					
8	Volute	P43252	P43861*	P43252	
	Wear Ring	—	P49141	—	
	Volute Drain Plug (4)	P39040	P39040	P39050	
11	Volute Gasket	P57700	P57700	P57700	
15	Coupler	See Coupler Selection Table, Page 48			
14	Coupler Key (Straight) Aug. 1989 (H98) & After	P49373	P49373	P49373	
14	Coupler Key (Woodruff) July 1989 (G98) & Before	H32600	H32600	H32600	
	For ANSI/OSHA Coupling Guard & Support Bracket Kit Selection, See Chart on Page 49				
Parts for Pumps With 1/4" Shaft At Seal					
5	Impeller (State Diameter) 7" Full Dia.	P50762	P50762	P50764†	
6	Impeller Washer	P46380	P46380	P46381	
3	Volute Capscrew (8)	P40020	P40020	P40020	
12	Volute Coverplate	186482	186482	186482	
12	Volute Coverplate - "F" Construction	P61131	P61131	NONE	
4	Seal Kit Buna/Carbon/Ceramic	186862	186862	186860	
4	Seal Kit EPR/Carbon/Tungsten Carbide	186861	186861	NONE	
2	Bearing Frame Assembly Consisting of:	185011	185011	185012	
17	Bearing Frame	P77103	P77103	P77103	
19 & 22	Shaft & Sleeve Kit	185308	185308	P78927+	
20	Bearing Cap	P75606	P75606	P75606	
25	Ball Bearing - Pump End	186002	186002	186002	
26	Ball Bearing - Coupler End	186001	186001	186001	
22	Shaft Sleeve	185140	185140	185141	
7	Impeller Capscrew	P52350	P52350	P52350	
9	Impeller Lockwasher	J23874	J23874	J23874	
10	Impeller Key (Straight) Aug. 1989 (H98) & After	P49369	P49369	P49369	
10	Impeller Key (Woodruff) July 1989 (G98) & Before	H32500	H32500	H32500	
18	Spring Washer	J92558	J92558	J92558	
21	Bearing Cap Capscrew (4)	J92291	J92291	J92291	
13	Water Slinger	P53550	P53550	P53550	
Parts for Pumps With 1/8" Shaft At Seal					
5	Impeller (State Diameter) 7" Full Dia.	P50772	P50772	P50774†	
6	Impeller Washer	P51230	P51230	P46382	
3	Volute Capscrew (8)	P44250	P44250	P44250	
12	Volute Coverplate	P49940	P49940	P49940	
12	Volute Coverplate - "F" Construction	P49941	P49941	NONE	
4	Seal Kit Buna/Carbon/Ceramic	186543	186543	186544	
4	Seal Kit EPR/Carbon/Tungsten/Carbide	185225	185225	NONE	
2	Bearing Frame Assembly Consisting of:	185014	185014	185015	
17	Bearing Frame	P77161	P77161	P77161	
19	Shaft	P79027	P79027	P79027	
20	Bearing Cap	P75612	P75612	P75612	
25	Ball Bearing - Pump End	186571	186571	186571	
26	Ball Bearing - Coupler End	186572	186572	186572	
22	Shaft Sleeve	185142	185142	185143	
7	Impeller Capscrew	P13800	P13800	P13800	
9	Impeller Lockwasher	J23875	J23875	J23875	
10	Impeller Key (Straight) Aug. 1989 (H98) & After	P49372	P49372	P49372	
10	Impeller Key (Woodruff) July 1989 (G98) & Before	H32700	H32700	H32700	
18	Spring Washer	J92560	J92560	J92560	
21	Bearing Cap Capscrew (4)	DJ0066	DJ0066	DJ0066	
13	Water Slinger	P53720	P53720	P53720	

Not Offered

* Includes wear ring.

+ - Shaft only. Does not include sleeve or retaining compound.

— Factory recommended spare parts.

†Consult Factory for Delivery.

5A

ITEM NO.	DESCRIPTION	PUMP CONSTRUCTION			
		BRONZE FITTED	BRONZE FITTED WITH WEAR RING	ALL IRON	ALL BRONZE
Parts Common To Both Size Pumps					
8	Volute	P43663	P43862*	P43663	
	Wear Ring	—	P49142	—	
	Volute Drain Plug (4)	P39040	P39040	P39050	
11	Volute Gasket	P57700	P57700	P57700	
15	Coupler	See Coupler Selection Table, Page 48			
14	Coupler Key (Straight) Aug. 1989 (H98) & After	P49373	P49373	P49373	
14	Coupler Key (Woodruff) July 1989 (G98) & Before	H32600	H32600	H32600	
	For ANSI/OSHA Coupling Guard & Support Foot Selection, See Chart on Page 49				
Parts for Pumps With 1/4" Shaft At Seal					
5	Impeller (State Diameter) 7" Full Dia.	P50802	P50802	P50804 [†]	
6	Impeller Washer	P46380	P46380	P46381	
3	Volute Capscrew (8)	P40020	P40020	P40020	
12	Volute Coverplate	186482	186482	186482	
12	Volute Coverplate - "F" Construction	P61131	P61131	NONE	
4	Seal Kit Buna/Carbon/Ceramic	186862	186862	186860	
4	Seal Kit EPR/Carbon/Tungsten Carbide	186861	186861	NONE	
2	Bearing Frame Assembly Consisting of:	185011	185011	185012	
17	Bearing Frame	P77103	P77103	P77103	
19 & 22	Shaft & Sleeve Kit	185308	185308	P78927+	
20	Bearing Cap	P75606	P75606	P75606	
25	Ball Bearing - Pump End	186002	186002	186002	
26	Ball Bearing - Coupler End	186001	186001	186001	
22	Shaft Sleeve	185140	185140	185141	
7	Impeller Capscrew	P52350	P52350	P52350	
9	Impeller Lockwasher	J23874	J23874	J23874	
10	Impeller Key (Straight) Aug. 1989 (H98) & After	P49369	P49369	P49369	
10	Impeller Key (Woodruff) July 1989 (G98) & Before	H32500	H32500	H32500	
18	Spring Washer	J92558	J92558	J92558	
21	Bearing Cap Capscrew (4)	J92291	J92291	J92291	
13	Water Slinger	P53550	P53550	P53550	
Parts for Pumps With 1/8" Shaft At Seal					
5	Impeller (State Diameter) 7" Full Dia.	P50812	P50812	P50814 [†]	
6	Impeller Washer	P51230	P51230	P46382	
3	Volute Capscrew (8)	P44250	P44250	P44250	
12	Volute Coverplate	P49940	P49940	P49940	
12	Volute Coverplate - "F" Construction	P49941	P49941	NONE	
4	Seal Kit Buna/Carbon/Ceramic	186543	186543	186544	
4	Seal Kit EPR/Carbon/Tungsten Carbide	185225	185225	NONE	
2	Bearing Frame Assembly Consisting of:	185014	185014	185015	
17	Bearing Frame	P77161	P77161	P77161	
19	Shaft	P79027	P79027	P79027	
20	Bearing Cap	P75612	P75612	P75612	
25	Ball Bearing - Pump End	186571	186571	186571	
26	Ball Bearing - Coupler End	186572	186572	186572	
22	Shaft Sleeve	185142	185142	185143	
7	Impeller Capscrew	P13800	P13800	P13800	
9	Impeller Lockwasher	J23875	J23875	J23875	
10	Impeller Key (Straight) Aug. 1989 (H98) & After	P49372	P49372	P49372	
10	Impeller Key (Woodruff) July 1989 (G98) & Before	H32700	H32700	H32700	
18	Spring Washer	J92560	J92560	J92560	
21	Bearing Cap Capscrew (4)	DJ0066	DJ0066	DJ0066	
13	Water Slinger	P53720	P53720	P53720	

Not Offered

* Includes wear ring.

+ - Shaft only. Does not include sleeve or retaining compound.

— Factory recommended spare parts.

[†]Consult Factory for Delivery.

1¹/₄BB

ITEM NO.	DESCRIPTION	PUMP CONSTRUCTION			
		BRONZE FITTED	BRONZE FITTED WITH WEAR RING	ALL IRON	ALL BRONZE
Parts Common To Both Size Pumps					
8	Volute	N/A**	N/A**	N/A**	N/A**
	Wear Ring	—	P48660	—	—
	Volute Drain Plug (4)	P39020	P39020	P39030	P39470
3	Volute Capscrew (12)	P03470	P03470	P03470	S04180
11	Volute Gasket	P48690	P48690	P48690	P48690
15	Coupler	See Coupler Selection Table, Page 48			
14	Coupler Key (Straight) Aug. 1989 (H98) & After	P49373	P49373	P49373	P49373
14	Coupler Key (Woodruff) July 1989 (G98) & Before	H32600	H32600	H32600	H32600
	For ANSI/OSHA Coupling Guard & Support Bracket Kit Selection, See Chart on Page 49				
Parts for Pumps With 1¹/₄" Shaft At Seal					
5	Impeller (State Diameter) 9 ¹ / ₂ " Full Dia.	P78523	P78523	P78253 ¹	P78523
6	Impeller Washer	P46380	P46380	P46381	P46390
12	Volute Coverplate	186495	186495	186495	P56799
4	Seal Kit Buna/Carbon/Ceramic	186862	186862	186860	186862
4	Seal Kit EPR/Carbon/Tungsten Carbide	186861	186861	NONE	186861
2	Bearing Frame Assembly Consisting of:	185011	185011	185012	185013
17	Bearing Frame	P77103	P77103	P77103	P77103
19 & 22	Shaft & Sleeve Kit	185308	185308	P78927+	P79018+
20	Bearing Cap	P75606	P75606	P75606	P75606
25	Ball Bearing - Pump End	186002	186002	186002	186002
26	Ball Bearing - Coupler End	186001	186001	186001	186001
22	Shaft Sleeve	185140	185140	185140	NONE
7	Impeller Capscrew	P52350	P52350	P52350	P52350
9	Impeller Lockwasher	J23874	J23874	J23874	J23874
10	Impeller Key (Straight) Aug. 1989 (H98) & After	P49369	P49369	P49369	P49369
10	Impeller Key (Woodruff) July 1989 (G98) & Before	H32500	H32500	H32500	H32500
18	Spring Washer	J92558	J92558	J92558	J92558
21	Bearing Cap Capscrew (4)	J92291	J92291	J92291	J92291
13	Water Slinger	P53550	P53550	P53550	P53550
Parts for Pumps With 1⁵/₈" Shaft At Seal					
5	Impeller (State Diameter) 9 ¹ / ₂ " Full Dia.	P78251	P78251	P78522 ¹	P78251
6	Impeller Washer	P51230	P51230	P46382	P51250
12	Volute Coverplate	P51540	P51540	P51540	P51560
4	Seal Kit Buna/Carbon/Ceramic	186543	186543	186544	186543
4	Seal Kit EPR/Carbon/Tungsten Carbide	185225	185225	NONE	185225
2	Bearing Frame Assembly Consisting of:	185014	185014	185015	185016
17	Bearing Frame	P77161	P77161	P77161	P77161
19	Shaft	P79027	P79027	P79027	P79028
20	Bearing Cap	P75612	P75612	P75612	P75612
25	Ball Bearing - Pump End	186571	186571	186571	186571
26	Ball Bearing - Coupler End	186572	186572	186572	186572
22	Shaft Sleeve	185142	185142	185143	NONE
7	Impeller Capscrew	P13800	P13800	P13800	P13800
9	Impeller Lockwasher	J23875	J23875	J23875	J23875
10	Impeller Key (Straight) Aug. 1989 (H98) & After	P49372	P49372	P49372	P49372
10	Impeller Key (Woodruff) July 1989 (G98) & Before	H32700	H32700	H32700	H32700
18	Spring Washer	J92560	J92560	J92560	J92560
21	Bearing Cap Capscrew (4)	P52320	P52320	P52320	P52320
13	Water Slinger	P53720	P53720	P53720	P53720

+ - Shaft only. Does not include sleeve or retaining compound.

N/A - No Longer Available

— - Factory recommended spare parts.

¹Consult Factory for Delivery.

**The impeller and/or volute are no longer available. This pump can be converted to the current style pump by ordering both the current style impeller and the current style volute.

1¹/₄BC

ITEM NO.	DESCRIPTION	PUMP CONSTRUCTION			
		BRONZE FITTED	BRONZE FITTED WITH WEAR RING	ALL IRON	ALL BRONZE
Parts Common To Both Size Pumps					
8	Volute	P41620	P44142*	P41620	P41622†
	Wear Ring	—	P46700	—	—
	Volute Drain Plug (4)	P39020	P39020	P39030	P39470
3	Volute Capscrew (12)	P03470	P03470	P03470	S04180
11	Volute Gasket	P48690	P48690	P48690	P48690
15	Coupler	See Coupler Selection Table, Page 48			
14	Coupler Key (Straight) Aug. 1989 (H98) & After	P49373	P49373	P49373	P49373
14	Coupler Key (Woodruff) July 1989 (G98) & Before	H32600	H32600	H32600	H32600
	For ANSI/OSHA Coupling Guard & Support Bracket Kit Selection, See Chart on Page 49				
Parts for Pumps With 1¹/₄" Shaft At Seal					
5	Impeller (State Diameter) 9 ¹ / ₂ " Full Dia.	P50666	P50666	P50678†	P50666
6	Impeller Washer	P46380	P46380	P46381	P46390
12	Volute Coverplate	186495	186495	186495	P56799
	Volute Coverplate - "F" Construction	P61451	P61451	NONE	NONE
4	Seal Kit Buna/Carbon/Ceramic	186862	186862	186860	186862
4	Seal Kit EPR/Carbon/Tungsten Carbide	186861	186861	NONE	186861
2	Bearing Frame Assembly Consisting of:	185011	185011	185012	185013
17	Bearing Frame	P77103	P77103	P77103	P77103
19 & 22	Shaft & Sleeve Kit	185308	185308	P78927+	P79018+
20	Bearing Cap	P75606	P75606	P75606	P75606
25	Ball Bearing - Pump End	186002	186002	186002	186002
26	Ball Bearing - Coupler End	186001	186001	186001	186001
22	Shaft Sleeve	185140	185140	185141	NONE
7	Impeller Capscrew	P52350	P52350	P52350	P52350
9	Impeller Lockwasher	J23874	J23874	J23874	J23874
10	Impeller Key (Straight) Aug. 1989 (H98) & After	P49369	P49369	P49369	P49369
10	Impeller Key (Woodruff) July 1989 (G98) & Before	H32500	H32500	H32500	H32500
18	Spring Washer	J92558	J92558	J92558	J92558
21	Bearing Cap Capscrew (4)	J92291	J92291	J92291	J92291
13	Water Slinger	P53550	P53550	P53550	P53550
Parts for Pumps With 1³/₈" Shaft At Seal					
5	Impeller (State Diameter) 9 ¹ / ₂ " Full Dia.	P50674	P50674	P50682†	P50674
6	Impeller Washer	P51230	P51230	P46382	P51250
12	Volute Coverplate	P51540	P51540	P51540	P51560
12	Volute Coverplate - "F" Construction	P51541	P51541	NONE	NONE
4	Seal Kit Buna/Carbon/Ceramic	186543	186543	186544	186543
4	Seal Kit EPR/Carbon/Tungsten Carbide	185225	185225	NONE	185225
2	Bearing Frame Assembly Consisting of:	185014	185014	185015	185016
17	Bearing Frame	P77161	P77161	P77161	P77161
19	Shaft	P79027	P79027	P79027	P79028
20	Bearing Cap	P75612	P75612	P75612	P75612
25	Ball Bearing - Pump End	186571	186571	186571	186571
26	Ball Bearing - Coupler End	186572	186572	186572	186572
22	Shaft Sleeve	185142	185142	185143	NONE
7	Impeller Capscrew	P13800	P13800	P13800	P13800
9	Impeller Lockwasher	J23875	J23875	J23875	J23875
10	Impeller Key (Straight) Aug. 1989 (H98) & After	P49372	P49372	P49372	P49372
10	Impeller Key (Woodruff) July 1989 (G98) & Before	H32700	H32700	H32700	H32700
18	Spring Washer	J92560	J92560	J92560	J92560
21	Bearing Cap Capscrew (4)	DJ0066	DJ0066	DJ0066	DJ0066
13	Water Slinger	P53720	P53720	P53720	P53720

* Includes wear ring.

+ - Shaft only. Does not include sleeve or retaining compound.

† - Factory recommended spare parts.

‡ Consult Factory for Delivery.

1½BB & 1½BC

ITEM NO.	DESCRIPTION	PUMP CONSTRUCTION			
		BRONZE FITTED	BRONZE FITTED WITH WEAR RING	ALL IRON	ALL BRONZE
Parts Common To Both Size Pumps					
8	Volute	P41780	P44136*	P41780	P41800†
	Wear Ring	—	P48660	—	—
	Volute Drain Plug (4)	P39020	P39020	P39030	P39470
3	Volute Capscrew (12)	P03470	P03470	P03470	S04180
11	Volute Gasket	P48690	P48690	P48690	P48690
15	Coupler	See Coupler Selection Table, Page 48			
14	Coupler Key (Straight) Aug. 1989 (H98) & After	P49373	P49373	P49373	P49373
14	Coupler Key (Woodruff) July 1989 (G98) & Before	H32600	H32600	H32600	H32600
	For ANSI/OSHA Coupling Guard & Support Bracket Kit Selection, See Chart on Page 49				
Parts for Pumps With 1¼" Shaft At Seal					
5	Impeller (State Diameter) 9½" Full Dia.	P78523	P78523	P78253†	P78523
6	Impeller Washer	P46380	P46380	P46381	P46390
12	Volute Coverplate	186495	186495	186495	P56799
12	Volute Coverplate - "F" Construction	P61451	P61451	NONE	NONE
4	Seal Kit Buna/Carbon/Ceramic	186862	186862	186860	186862
4	Seal Kit EPR/Carbon/Tungsten Carbide	186861	186861	NONE	186861
2	Bearing Frame Assembly Consisting of:	185011	185011	185012	185013
17	Bearing Frame	P77103	P77103	P77103	P77103
19 & 22	Shaft & Sleeve Kit	185308	185308	P78927+	P79018+
20	Bearing Cap	P75606	P75606	P75606	P75606
25	Ball Bearing - Pump End	186002	186002	186002	186002
26	Ball Bearing - Coupler End	186001	186001	186001	186001
22	Shaft Sleeve	185140	185140	185141	NONE
7	Impeller Capscrew	P52350	P52350	P52350	P52350
9	Impeller Lockwasher	J23874	J23874	J23874	J23874
10	Impeller Key (Straight) Aug. 1989 (H98) & After	P49369	P49369	P49369	P49369
10	Impeller Key (Woodruff) July 1989 (G98) & Before	H32500	H32500	H32500	H32500
18	Spring Washer	J92558	J92558	J92558	J92558
21	Bearing Cap Capscrew (4)	J92291	J92291	J92291	J92291
13	Water Slinger	P53550	P53550	P53550	P53550
Parts for Pumps With 1⅝" Shaft At Seal					
5	Impeller (State Diameter) 9½" Full Dia.	P78251	P78251	P78522†	P78251
6	Impeller Washer	P51230	P51230	P46382	P51250
12	Volute Coverplate	P51540	P51540	P51540	P51560
12	Volute Coverplate - "F" Construction	P51541	P51541	NONE	NONE
4	Seal Kit Buna/Carbon/Ceramic	186543	186543	186544	186543
4	Seal Kit EPR/Carbon/Tungsten Carbide	185225	185225	NONE	185225
2	Bearing Frame Assembly Consisting of:	185014	185014	185015	185016
17	Bearing Frame	P77161	P77161	P77161	P77161
19	Shaft	P79027	P79027	P79027	P79028
20	Bearing Cap	P75612	P75612	P75612	P75612
25	Ball Bearing - Pump End	186571	186571	186571	186571
26	Ball Bearing - Coupler End	186572	186572	186572	186572
22	Shaft Sleeve	185142	185142	185143	NONE
7	Impeller Capscrew	P13800	P13800	P13800	P13800
9	Impeller Lockwasher	J23875	J23875	J23875	J23875
10	Impeller Key (Straight) Aug. 1989 (H98) & After	P49372	P49372	P49372	P49372
10	Impeller Key (Woodruff) July 1989 (G98) & Before	H32700	H32700	H32700	H32700
18	Spring Washer	J92560	J92560	J92560	J92560
21	Bearing Cap Capscrew (4)	DJ0066	DJ0066	DJ0066	DJ0066
13	Water Slinger	P53720	P53720	P53720	P53720

* Includes wear ring.

+ - Shaft only. Does not include sleeve or retaining compound.

— Factory recommended spare parts.

†Consult Factory for Delivery.

2BB

ITEM NO.	DESCRIPTION	PUMP CONSTRUCTION			
		BRONZE FITTED	BRONZE FITTED WITH WEAR RING	ALL IRON	ALL BRONZE
Parts Common To Both Size Pumps					
8	Volute	N/A**	N/A**	N/A**	N/A**
	Wear Ring	—	P49130	—	—
	Volute Drain Plug (4)	P39040	P39040	P39050	P39480
3	Volute Capscrew (12)	P03470	P03470	P03470	S04180
11	Volute Gasket	P48690	P48690	P48690	P48690
15	Coupler	See Coupler Selection Table, Page 48			
14	Coupler Key (Straight) Aug. 1989 (H98) & After	P49373	P49373	P49373	P49373
14	Coupler Key (Woodruff) July 1989 (G98) & Before	H32600	H32600	H32600	H32600
	For ANSI/OSHA Coupling Guard & Support Bracket Kit Selection, See Chart on Page 49				
Parts for Pumps With 1 1/4" Shaft At Seal					
5	Impeller (State Diameter) 9 1/2" Full Dia.	P78525 [†]	P78525 [†]	P78486 [†]	P78525 [†]
6	Impeller Washer	P46380	P46380	P46381	P46390
12	Volute Coverplate	186495	186495	186495	P56799
4	Seal Kit Buna/Carbon/Ceramic	186862	186862	186860	186862
4	Seal Kit EPR/Carbon/Tungsten Carbide	186861	186861	NONE	186861
2	Bearing Frame Assembly Consisting of:	185011	185011	185012	185013
17	Bearing Frame	P77103	P77103	P77103	P77103
19 & 22	Shaft & Sleeve Kit	185308	185308	P78927+	P79018+
20	Bearing Cap	P75606	P75606	P75606	P75606
25	Ball Bearing - Pump End	186002	186002	186002	186002
26	Ball Bearing - Coupler End	186001	186001	186001	186001
22	Shaft Sleeve	185140	185140	185141	NONE
7	Impeller Capscrew	P52350	P52350	P52350	P52350
9	Impeller Lockwasher	J23874	J23874	J23874	J23874
10	Impeller Key (Straight) Aug. 1989 (H98) & After	P49369	P49369	P49369	P49369
10	Impeller Key (Woodruff) July 1989 (G98) & Before	H32500	H32500	H32500	H32500
18	Spring Washer	J92558	J92558	J92558	J92558
21	Bearing Cap Capscrew (4)	J92291	J92291	J92291	J92291
13	Water Slinger	P53550	P53550	P53550	P53550
Parts for Pumps With 1 5/8" Shaft At Seal					
5	Impeller (State Diameter) 9 1/2" Full Dia.	P78255 [†]	P78255 [†]	N/A	P78255 [†]
6	Impeller Washer	P51230	P51230	P46382	P51250
12	Volute Coverplate	P51540	P51540	P51540	P51560
4	Seal Kit Buna/Carbon/Ceramic	186543	186543	186544	186543
4	Seal Kit EPR/Carbon/Tungsten Carbide	185225	185225	NONE	185225
2	Bearing Frame Assembly Consisting of:	185014	185014	185015	185016
17	Bearing Frame	P77161	P77161	P77161	P77161
19	Shaft	P79027	P79027	P79027	P79028
20	Bearing Cap	P75612	P75612	P75612	P75612
25	Ball Bearing - Pump End	186571	186571	186571	186571
26	Ball Bearing - Coupler End	186572	186572	186572	186572
22	Shaft Sleeve	185142	185142	185143	NONE
7	Impeller Capscrew	P13800	P13800	P13800	P13800
9	Impeller Lockwasher	J23875	J23875	J23875	J23875
10	Impeller Key (Straight) Aug. 1989 (H98) & After	P49369	P49369	P49369	P49369
10	Impeller Key (Woodruff) July 1989 (G98) & Before	H32700	H32700	H32700	H32700
18	Spring Washer	J92560	J92560	J92560	J92560
21	Bearing Cap Capscrew (4)	DJ0066	DJ0066	DJ0066	DJ0066
13	Water Slinger	P53720	P53720	P53720	P53720

+ - Shaft only. Does not include sleeve or retaining compound.

N/A - No Longer Available

— - Factory recommended spare parts.

*Consult Factory for Delivery.

**The impeller and/or volute are no longer available. This pump can be converted to the current style pump by ordering both the current style impeller and the current style volute.

2BC

ITEM NO.	DESCRIPTION	PUMP CONSTRUCTION			
		BRONZE FITTED	BRONZE FITTED WITH WEAR RING	ALL IRON	ALL BRONZE
Parts Common To Both Size Pumps					
8	Volute	P42264	P44144*	P42264	P42266†
	Wear Ring	—	P49130	—	—
	Volute Drain Plug (4)	P39040	P39040	P39050	P39480
3	Volute Capscrew (12)	P03470	P03470	P03470	S04180
11	Volute Gasket	P48690	P48690	P48690	P48690
15	Coupler	See Coupler Selection Table, Page 48			
14	Coupler Key (Straight) Aug. 1989 (H98) & After	P49373	P49373	P49373	P49373
14	Coupler Key (Woodruff) July 1989 (G98) & Before	H32600	H32600	H32600	H32600
	For ANSI/OSHA Coupling Guard & Support Bracket Kit Selection, See Chart on Page 49				
Parts for Pumps With 1 1/4" Shaft At Seal					
5	Impeller (State Diameter) 9 1/2" Full Dia.	P50700	P50700	P50712†	P50700
6	Impeller Washer	P46380	P46380	P46381	P46390
12	Volute Coverplate	186495	186495	186495	P56799
12	Volute Coverplate - "F" Construction	P61451	P61451	NONE	NONE
4	Seal Kit Buna/Carbon/Ceramic	186862	186862	186860	186862
4	Seal Kit EPR/Carbon/Tungsten Carbide	186861	186861	NONE	186861
2	Bearing Frame Assembly Consisting of:	185011	185011	185012	185013
17	Bearing Frame	P77103	P77103	P77103	P77103
19 & 22	Shaft & Sleeve Kit	185308	185308	P78927+	P79018+
20	Bearing Cap	P75606	P75606	P75606	P75606
25	Ball Bearing - Pump End	186002	186002	186002	186002
26	Ball Bearing - Coupler End	186001	186001	186001	186001
22	Shaft Sleeve	185140	185140	185141	NONE
7	Impeller Capscrew	P52350	P52350	P52350	P52350
9	Impeller Lockwasher	J23874	J23874	J23874	J23874
10	Impeller Key (Straight) Aug. 1989 (H98) & After	P49369	P49369	P49369	P49369
10	Impeller Key (Woodruff) July 1989 (G98) & Before	H32500	H32500	H32500	H32500
18	Spring Washer	J92558	J92558	J92558	J92558
21	Bearing Cap Capscrew (4)	J92291	J92291	J92291	J92291
13	Water Slinger	P53550	P53550	P53550	P53550
Parts for Pumps With 1 5/8" Shaft At Seal					
5	Impeller (State Diameter) 9 1/2" Full Dia.	P50707	P50707	P50714†	P50707
6	Impeller Washer	P51230	P51230	P46382	P51250
12	Volute Coverplate	P51540	P51540	P51540	P51560
12	Volute Coverplate - "F" Construction	P51541	P51541	NONE	NONE
4	Seal Kit Buna/Carbon/Ceramic	186543	186543	186544	186543
4	Seal Kit EPR/Carbon/Tungsten Carbide	185225	185225	NONE	185225
2	Bearing Frame Assembly Consisting of:	185014	185014	185015	185016
17	Bearing Frame	P77161	P77161	P77161	P77161
19	Shaft	P79027	P79027	P79027	P79028
20	Bearing Cap	P75612	P75612	P75612	P75612
25	Ball Bearing - Pump End	186571	186571	186571	186571
26	Ball Bearing - Coupler End	186572	186572	186572	186572
22	Shaft Sleeve	185142	185142	185143	NONE
7	Impeller Capscrew	P13800	P13800	P13800	P13800
9	Impeller Lockwasher	J23875	J23875	J23875	J23875
10	Impeller Key (Straight) Aug. 1989 (H98) & After	P49372	P49372	P49372	P49372
10	Impeller Key (Woodruff) July 1989 (G98) & Before	H32700	H32700	H32700	H32700
18	Spring Washer	J92560	J92560	J92560	J92560
21	Bearing Cap Capscrew (4)	DJ0066	DJ0066	DJ0066	DJ0066
13	Water Slinger	P53720	P53720	P53720	P53720

* Includes wear ring.

+ - Shaft only. Does not include sleeve or retaining compound.

— Factory recommended spare parts.

†Consult Factory for Delivery.

2 1/2 B

ITEM NO.	DESCRIPTION	PUMP CONSTRUCTION			
		BRONZE FITTED	BRONZE FITTED WITH WEAR RING	ALL IRON	ALL BRONZE
Parts Common To Both Size Pumps					
8	Volute	N/A**	N/A**	N/A**	N/A**
	Wear Ring	—	P49130	—	—
	Volute Drain Plug (4)	P39040	P39040	P39050	P39480
3	Volute Capscrew (12)	P03470	P03470	P03470	S04180
11	Volute Gasket	P48690	P48690	P48690	P48690
15	Coupler	See Coupler Selection Table, Page 48			
14	Coupler Key (Straight) Aug. 1989 (H98) & After	P49373	P49373	P49373	P49373
14	Coupler Key (Woodruff) July 1989 (G98) & Before	H32600	H32600	H32600	H32600
	For ANSI/OSHA Coupling Guard & Support Bracket Kit Selection, See Chart on Page 49				
Parts for Pumps With 1 1/4" Shaft At Seal					
5	Impeller (State Diameter) 9 1/2" Full Dia.	P78525 [†]	P78525 [†]	P78486 [†]	P78525 [†]
6	Impeller Washer	P46380	P46380	P46381	P46390
12	Volute Coverplate	186495	186495	186495	P56799
4	Seal Kit Buna/Carbon/Ceramic	186862	186862	186860	186862
4	Seal Kit EPR/Carbon/Tungsten Carbide	186861	186861	NONE	186861
2	Bearing Frame Assembly Consisting of:	185011	185011	185012	185013
17	Bearing Frame	P77103	P77103	P77103	P77103
19 & 22	Shaft & Sleeve Kit	185308	185308	P78927+	P79018+
20	Bearing Cap	P75606	P75606	P75606	P75606
25	Ball Bearing - Pump End	186002	186002	186002	186002
26	Ball Bearing - Coupler End	186001	186001	186001	186001
22	Shaft Sleeve	185140	185140	185141	NONE
7	Impeller Capscrew	P52350	P52350	P52350	P52350
9	Impeller Lockwasher	J23874	J23874	J23874	J23874
10	Impeller Key (Straight) Aug. 1989 (H98) & After	P49369	P49369	P49369	P49369
10	Impeller Key (Woodruff) July 1989 (G98) & Before	H32500	H32500	H32500	H32500
18	Spring Washer	J92558	J92558	J92558	J92558
21	Bearing Cap Capscrew (4)	J92291	J92291	J92291	J92291
13	Water Slinger	P53550	P53550	P53550	P53550
Parts for Pumps With 1 5/8" Shaft At Seal					
5	Impeller (State Diameter) 9 1/2" Full Dia.	P78255 [†]	P78255 [†]	N/A**	P78255 [†]
6	Impeller Washer	P51230	P51230	P46382	P51250
12	Volute Coverplate	P51540	P51540	P51540	P51560
4	Seal Kit Buna/Carbon/Ceramic	186543	186543	186544	186543
4	Seal Kit EPR/Carbon/Tungsten Carbide	185225	185225	NONE	185225
2	Bearing Frame Assembly Consisting of:	185014	185014	185015	185016
17	Bearing Frame	P77161	P77161	P77161	P77161
19	Shaft	P79027	P79027	P79027	P79028
20	Bearing Cap	P75612	P75612	P75612	P75612
25	Ball Bearing - Pump End	186571	186571	186571	186571
26	Ball Bearing - Coupler End	186572	186572	186572	186572
22	Shaft Sleeve	185142	185142	185143	NONE
7	Impeller Capscrew	P13800	P13800	P13800	P13800
9	Impeller Lockwasher	J23875	J23875	J23875	J23875
10	Impeller Key (Straight) Aug. 1989 (H98) & After	P49372	P49372	P49372	P49372
10	Impeller Key (Woodruff) July 1989 (G98) & Before	H32700	H32700	H32700	H32700
18	Spring Washer	J92560	J92560	J92560	J92560
21	Bearing Cap Capscrew (4)	DJ0066	DJ0066	DJ0066	DJ0066
13	Water Slinger	P53720	P53720	P53720	P53720

+ - Shaft only. Does not include sleeve or retaining compound.

N/A - No Longer Available

— - Factory recommended spare parts.

*Consult Factory for Delivery.

**The impeller and/or volute are no longer available. This pump can be converted to the current style pump by ordering both the current style impeller and the current style volute.

2 1/2 BB

ITEM NO.	DESCRIPTION	PUMP CONSTRUCTION			
		BRONZE FITTED	BRONZE FITTED WITH WEAR RING	ALL IRON	ALL BRONZE
Parts Common To Both Size Pumps					
8	Volute	P42542	P44146*	P42542	P42544†
	Wear Ring	—	P49870	—	—
	Volute Drain Plug (4)	P39040	P39040	P39050	P39480
3	Volute Capscrew (12)	P03470	P03470	P03470	S04180
11	Volute Gasket	P48690	P48690	P48690	P48690
15	Coupler	See Coupler Selection Table, Page 48			
14	Coupler Key (Straight) Aug. 1989 (H98) & After	P49373	P49373	P49373	P49373
14	Coupler Key (Woodruff) July 1989 (G98) & Before	H32600	H32600	H32600	H32600
	For ANSI/OSHA Coupling Guard & Support Bracket Kit Selection, See Chart on Page 49				
Parts for Pumps With 1 1/4" Shaft At Seal					
5	Impeller (State Diameter) 9 1/2" Full Dia.	P50732	P50732	P50744†	P50732
6	Impeller Washer	P46380	P46380	P46381	P46390
12	Volute Coverplate	186495	186495	186495	P56799
12	Volute Coverplate - "F" Construction	P61451	P61451	NONE	NONE
4	Seal Kit Buna/Carbon/Ceramic	186862	186862	186860	186862
4	Seal Kit EPR/Carbon/Tungsten Carbide	186861	186861	NONE	186861
2	Bearing Frame Assembly Consisting of:	185011	185011	185012	185013
17	Bearing Frame	P77103	P77103	P77103	P77103
19 & 22	Shaft & Sleeve Kit	185308	185308	P78927+	P79018+
20	Bearing Cap	P75606	P75606	P75606	P75606
25	Ball Bearing - Pump End	186002	186002	186002	186002
26	Ball Bearing - Coupler End	186001	186001	186001	186001
22	Shaft Sleeve	185140	185140	185141	NONE
7	Impeller Capscrew	P52350	P52350	P52350	P52350
9	Impeller Lockwasher	J23874	J23874	J23874	J23874
10	Impeller Key (Straight) Aug. 1989 (H98) & After	P49369	P49369	P49369	P49369
10	Impeller Key (Woodruff) July 1989 (G98) & Before	H32500	H32500	H32500	H32500
18	Spring Washer	J92558	J92558	J92558	J92558
21	Bearing Cap Capscrew (4)	J92291	J92291	J92291	J92291
13	Water Slinger	P53550	P53550	P53550	P53550
Parts for Pumps With 1 3/8" Shaft At Seal					
5	Impeller (State Diameter) 9 1/2" Full Dia.	P50739	P50739	P50746†	P50739
6	Impeller Washer	P51230	P51230	P46382	P51250
12	Volute Coverplate	P51540	P51540	P51540	P51560
12	Volute Coverplate - "F" Construction	P51541	P51541	NONE	NONE
4	Seal Kit Buna/Carbon/Ceramic	186543	186543	186544	186543
4	Seal Kit EPR/Carbon/Tungsten Carbide	185225	185225	NONE	185225
2	Bearing Frame Assembly Consisting of:	185014	185014	185015	185016
17	Bearing Frame	P77161	P77161	P77161	P77161
19	Shaft	P79027	P79027	P79027	P79028
20	Bearing Cap	P75612	P75612	P75612	P75612
25	Ball Bearing - Pump End	186571	186571	186571	186571
26	Ball Bearing - Coupler End	186572	186572	186572	186572
22	Shaft Sleeve	185142	185142	185143	NONE
7	Impeller Capscrew	P13800	P13800	P13800	P13800
9	Impeller Lockwasher	J23875	J23875	J23875	J23875
10	Impeller Key (Straight) Aug. 1989 (H98) & After	P49372	P49372	P49372	P49372
10	Impeller Key (Woodruff) July 1989 (G98) & Before	H32700	H32700	H32700	H32700
18	Spring Washer	J92560	J92560	J92560	J92560
21	Bearing Cap Capscrew (4)	DJ0066	DJ0066	DJ0066	DJ0066
13	Water Slinger	P53720	P53720	P53720	P53720

* Includes wear ring.

+ - Shaft only. Does not include sleeve or retaining compound.

— Factory recommended spare parts.

†Consult Factory for Delivery.

3BB

ITEM NO.	DESCRIPTION	PUMP CONSTRUCTION			
		BRONZE FITTED	BRONZE FITTED WITH WEAR RING	ALL IRON	ALL BRONZE
Parts Common To Both Size Pumps					
8	Volute	P42740 [†]	N/A**	P42740 [†]	N/A
	Wear Ring	—	P50590	—	—
	Volute Drain Plug (4)	P39040	P39040	P39050	P39480
	Volute Capscrew (12)	P03470	P03470	P03470	S04180
11	Volute Gasket	P48690	P48690	P48690	P48690
15	Coupler	See Coupler Selection Table, Page 48			
14	Coupler Key (Straight) Aug. 1989 (H98) & After	P49373	P49373	P49373	P49373
14	Coupler Key (Woodruff) July 1989 (G98) & Before	H32600	H32600	H32600	H32600
	For ANSI/OSHA Coupling Guard & Support Bracket Kit Selection, See Chart on Page 49				
Parts for Pumps With 1 1/4" Shaft At Seal					
5	Impeller (State Diameter) 9 1/2" Full Dia.	P49620 [†]	P49620 [†]	P49600 [†]	P49620 [†]
6	Impeller Washer	P46380	P46380	P46381	P46390
12	Volute Coverplate	186495	186495	186495	P56799
12	Volute Coverplate - "F" Construction	P61451	P61451	NONE	NONE
4	Seal Kit Buna/Carbon/Ceramic	186862	186862	186860	186862
4	Seal Kit EPR/Carbon/Tungsten Carbide	186861	186861	NONE	186861
2	Bearing Frame Assembly Consisting of:	185011	185011	185012	185013
17	Bearing Frame	P77103	P77103	P77103	P77103
19 & 22	Shaft & Sleeve Kit	185308	185308	P78927+	P79018+
20	Bearing Cap	P75606	P75606	P75606	P75606
25	Ball Bearing - Pump End	186002	186002	186002	186002
26	Ball Bearing - Coupler End	186001	186001	186001	186001
22	Shaft Sleeve	185140	185140	185141	NONE
7	Impeller Capscrew	P52350	P52350	P52350	P52350
9	Impeller Lockwasher	J23874	J23874	J23874	J23874
10	Impeller Key (Straight) Aug. 1989 (H98) & After	P49369	P49369	P49369	P49639
10	Impeller Key (Woodruff) July 1989 (G98) & Before	H32500	H32500	H32500	H32500
18	Spring Washer	J92558	J92558	J92558	J92558
21	Bearing Cap Capscrew (4)	J92291	J92291	J92291	J92291
13	Water Slinger	P53550	P53550	P53550	P53550
Parts for Pumps With 1 5/8" Shaft At Seal					
5	Impeller (State Diameter) 9 1/2" Full Dia.	P49640 [†]	P49640 [†]	P49660 [†]	P49640 [†]
6	Impeller Washer	P51230	P51230	P46382	P51250
12	Volute Coverplate	P51540	P51540	P51540	P51560
12	Volute Coverplate - "F" Construction	P51541	P51541	NONE	NONE
4	Seal Kit Buna/Carbon/Ceramic	186543	186543	186544	186543
4	Seal Kit EPR/Carbon/Tungsten Carbide	185225	185225	NONE	185225
2	Bearing Frame Assembly Consisting of:	185014	185014	185015	185016
17	Bearing Frame	P77161	P77161	P77161	P77161
19	Shaft	P79027	P79027	P79027	P79028
20	Bearing Cap	P75612	P75612	P75612	P75612
25	Ball Bearing - Pump End	186571	186571	186571	186571
26	Ball Bearing - Coupler End	186572	186572	186572	186572
22	Shaft Sleeve	185142	185142	185143	NONE
7	Impeller Capscrew	P13800	P13800	P13800	P13800
9	Impeller Lockwasher	J23875	J23875	J23875	J23875
10	Impeller Key (Straight) Aug. 1989 (H98) & After	P49372	P49372	P49372	P49372
10	Impeller Key (Woodruff) July 1989 (G98) & Before	H32700	H32700	H32700	H32700
18	Spring Washer	J92560	J92560	J92560	J92560
21	Bearing Cap Capscrew (4)	DJ0066	DJ0066	DJ0066	DJ0066
13	Water Slinger	P53720	P53720	P53720	P53720

+ - Shaft only. Does not include sleeve or retaining compound.

— - Factory recommended spare parts.

[†]Consult Factory for Delivery.

N/A - No Longer Available

**The impeller and/or volute are no longer available. This pump can be converted to the current style pump by ordering both the current style impeller and the current style volute.

3BC

ITEM NO.	DESCRIPTION	PUMP CONSTRUCTION			
		BRONZE FITTED	BRONZE FITTED WITH WEAR RING	ALL IRON	ALL BRONZE
Parts Common To Both Size Pumps					
8	Volute	P71536	P71537*	P71536	Not Offered
	Wear Ring	—	P50650	—	
	Volute Drain Plug (4)	P39040	P39040	P39050	
	Volute Capscrew (12)	P03470	P03470	P03470	
11	Volute Gasket	P48690	P48690	P48690	
15	Coupler	See Coupler Selection Table, Page 48			
14	Coupler Key (Straight) Aug. 1989 (H98) & After	P49373	P49373	P49373	
14	Coupler Key (Woodruff) July 1989 (G98) & Before	H32600	H32600	H32600	
	For ANSI/OSHA Coupling Guard & Support Bracket Kit Selection, See Chart on Page 49				
Parts for Pumps With 1 1/4" Shaft At Seal					
5	Impeller (State Diameter) 9 1/2" Full Dia.	P71542	P71542	P71548 [†]	
6	Impeller Washer	P46380	P46380	P46381	
12	Volute Coverplate	186495	186495	186495	
12	Volute Coverplate - "F" Construction	P61451	P61451	NONE	
4	Seal Kit Buna/Carbon/Ceramic	186862	186862	186860	
4	Seal Kit EPR/Carbon/Tungsten Carbide	186861	186861	NONE	
2	Bearing Frame Assembly Consisting of:	185011	185011	185012	
17	Bearing Frame	P77103	P77103	P77103	
19 & 22	Shaft & Sleeve Kit	185308	185308	P78927+	
20	Bearing Cap	P75606	P75606	P75606	
25	Ball Bearing - Pump End	186002	186002	186002	
26	Ball Bearing - Coupler End	186001	186001	186001	
22	Shaft Sleeve	185140	185140	185141	
7	Impeller Capscrew	P52350	P52350	P52350	
9	Impeller Lockwasher	J23874	J23874	J23874	
10	Impeller Key (Straight) Aug. 1989 (H98) & After	P49369	P49369	P49369	
10	Impeller Key (Woodruff) July 1989 (G98) & Before	H32500	H32500	H32500	
18	Spring Washer	J92558	J92558	J92558	
21	Bearing Cap Capscrew (4)	J92291	J92291	J92291	
13	Water Slinger	P53550	P53550	P53550	
Parts for Pumps With 1 5/8" Shaft At Seal					
5	Impeller (State Diameter) 9 1/2" Full Dia.	P71545	P71545	P71551 [†]	
6	Impeller Washer	P51230	P51230	P46382	
12	Volute Coverplate	P51540	P51540	P51540	
12	Volute Coverplate - "F" Construction	P51541	P51541	NONE	
4	Seal Kit Buna/Carbon/Ceramic	186543	186543	186544	
4	Seal Kit EPR/Carbon/Tungsten Carbide	185225	185225	NONE	
2	Bearing Frame Assembly Consisting of:	185014	185014	185015	
17	Bearing Frame	P77161	P77161	P77161	
19	Shaft	P79027	P79027	P79027	
20	Bearing Cap	P75612	P75612	P75612	
25	Ball Bearing - Pump End	186571	186571	186571	
26	Ball Bearing - Coupler End	186572	186572	186572	
22	Shaft Sleeve	185142	185142	185143	
7	Impeller Capscrew	P13800	P13800	P13800	
9	Impeller Lockwasher	J23875	J23875	J23875	
10	Impeller Key (Straight) Aug. 1989 (H98) & After	P49372	P49372	P49372	
10	Impeller Key (Woodruff) July 1989 (G98) & Before	H32700	H32700	H32700	
18	Spring Washer	J92560	J92560	J92560	
21	Bearing Cap Capscrew (4)	DJ0066	DJ0066	DJ0066	
13	Water Slinger	P53720	P53720	P53720	

* Includes wear ring.

+ - Shaft only. Does not include sleeve or retaining compound.

— Factory recommended spare parts.

[†]Consult Factory for Delivery.

4BB

ITEM NO.	DESCRIPTION	PUMP CONSTRUCTION			
		BRONZE FITTED	BRONZE FITTED WITH WEAR RING	ALL IRON	ALL BRONZE
Parts Common To Both Size Pumps					
8	Volute	N/A**	N/A**	N/A**	N/A
	Wear Ring	—	N/A	—	—
	Volute Drain Plug (4)	P39040	P39040	P39050	P39480
3	Volute Capscrew (12)	P03470	P03470	P03470	S04180
11	Volute Gasket	P48690	P48690	P48690	P48690
15	Coupler	See Coupler Selection Table, Page 48			
14	Coupler Key (Straight) Aug. 1989 (H98) & After	P49373	P49373	P49373	P49373
14	Coupler Key (Woodruff) July 1989 (G98) & Before	H32600	H32600	H32600	H32600
	For ANSI/OSHA Coupling Guard & Support Bracket Kit Selection, See Chart on Page 49				
Parts for Pumps With 1 1/4" Shaft At Seal					
5	Impeller (State Diameter) 9 1/2" Full Dia.	P50550†	P50550†	P50390†	P50550†
6	Impeller Washer	P46380	P46380	P46381	P46390
12	Volute Coverplate	186495	186495	186495	P56799
4	Seal Kit Buna/Carbon/Ceramic	186862	186862	186860	186862
4	Seal Kit EPR/Carbon/Tungsten Carbide	186861	186861	NONE	186861
2	Bearing Frame Assembly Consisting of:	185011	185011	185012	185013
17	Bearing Frame	P77103	P77103	P77103	P77103
19 & 22	Shaft & Sleeve Kit	185308	185308	P78927+	P79018+
20	Bearing Cap	P75606	P75606	P75606	P75606
25	Ball Bearing - Pump End	186002	186002	186002	186002
26	Ball Bearing - Coupler End	186001	186001	186001	186001
22	Shaft Sleeve	185140	185140	185141	NONE
7	Impeller Capscrew	P52350	P52350	P52350	P52350
9	Impeller Lockwasher	J23874	J23874	J23874	J23874
10	Impeller Key (Straight) Aug. 1989 (H98) & After	P49369	P49369	P49369	P49369
10	Impeller Key (Woodruff) July 1989 (G98) & Before	H32500	H32500	H32500	H32500
18	Spring Washer	J92558	J92558	J92558	J92558
21	Bearing Cap Capscrew (4)	J92291	J92291	J92291	J92291
13	Water Slinger	P53550	P53550	P53550	P53550
Parts for Pumps With 1 5/8" Shaft At Seal					
5	Impeller (State Diameter) 9 1/2" Full Dia.	P50570†	P50570†	P50330†	P50570†
6	Impeller Washer	P51230	P51230	P46382	P51250
12	Volute Coverplate	P51540	P51540	P51540	P51560
4	Seal Kit Buna/Carbon/Ceramic	186543	186543	186544	186543
4	Seal Kit EPR/Carbon/Tungsten Carbide	185225	185225	NONE	185225
2	Bearing Frame Assembly Consisting of:	185014	185014	185015	185016
17	Bearing Frame	P77161	P77161	P77161	P77161
19	Shaft	P79027	P79027	P79027	P79028
20	Bearing Cap	P75612	P75612	P75612	P75612
25	Ball Bearing - Pump End	186571	186571	186571	186571
26	Ball Bearing - Coupler End	186572	186572	186572	186572
22	Shaft Sleeve	185142	185142	185143	NONE
7	Impeller Capscrew	P13800	P13800	P13800	P13800
9	Impeller Lockwasher	J23875	J23875	J23875	J23875
10	Impeller Key (Straight) Aug. 1989 (H98) & After	P49372	P49372	P49372	P49372
10	Impeller Key (Woodruff) July 1989 (G98) & Before	H32700	H32700	H32700	H32700
18	Spring Washer	J92560	J92560	J92560	J92560
21	Bearing Cap Capscrew (4)	DJ0066	DJ0066	DJ0066	DJ0066
13	Water Slinger	P53720	P53720	P53720	P53720

+ - Shaft only. Does not include sleeve or retaining compound.

N/A - No Longer Available

— - Factory recommended spare parts.

†Consult Factory for Delivery.

**The impeller and/or volute are no longer available. This pump can be converted to the current style pump by ordering both the current style impeller and the current style volute.

4BC

ITEM NO.	DESCRIPTION	PUMP CONSTRUCTION			
		BRONZE FITTED	BRONZE FITTED WITH WEAR RING	ALL IRON	ALL BRONZE
Parts Common To Both Size Pumps					
8	Volute	P43362	P44147*	P43362	Not Offered
	Wear Ring	—	P49142	—	
	Volute Drain Plug (4)	P39040	P39040	P39050	
	Volute Capscrew (12)	P03470	P03470	P03470	
11	Volute Gasket	P48690	P48690	P48690	
15	Coupler	See Coupler Selection Table, Page 48			
14	Coupler Key (Straight) Aug. 1989 (H98) & After	P49373	P49373	P49373	
14	Coupler Key (Woodruff) July 1989 (G98) & Before	H32600	H32600	H32600	
	For ANSI/OSHA Coupling Guard & Support Bracket Kit Selection, See Chart on Page 49				
Parts for Pumps With 1 1/4" Shaft At Seal					
5	Impeller (State Diameter) 9 1/2" Full Dia.	P50748	P50748	P50757 ¹	
6	Impeller Washer	P46380	P46380	P46381	
12	Volute Coverplate	186495	186495	186495	
12	Volute Coverplate - "F" Construction	P61451	P61451	NONE	
4	Seal Kit Buna/Carbon/Ceramic	186862	186862	186860	
4	Seal Kit EPR/Carbon/Tungsten Carbide	186861	186861	NONE	
2	Bearing Frame Assembly Consisting of:	185011	185011	185012	
17	Bearing Frame	P77103	P77103	P77103	
19 & 22	Shaft & Sleeve Kit	185308	185308	P78927+	
20	Bearing Cap	P75606	P75606	P75606	
25	Ball Bearing - Pump End	186002	186002	186002	
26	Ball Bearing - Coupler End	186001	186001	186001	
22	Shaft Sleeve	185140	185140	185141	
7	Impeller Capscrew	P52350	P52350	P52350	
9	Impeller Lockwasher	J23874	J23874	J23874	
10	Impeller Key (Straight) Aug. 1989 (H98) & After	P49369	P49369	P49369	
10	Impeller Key (Woodruff) July 1989 (G98) & Before	H32500	H32500	H32500	
18	Spring Washer	J92558	J92558	J92558	
21	Bearing Cap Capscrew (4)	J92291	J92291	J92291	
13	Water Slinger	P53550	P53550	P53550	
Parts for Pumps With 1 5/8" Shaft At Seal					
5	Impeller (State Diameter) 9 1/2" Full Dia.	P50755	P50755	P50759 ¹	
6	Impeller Washer	P51230	P51230	P46382	
12	Volute Coverplate	P51540	P51540	P51540	
12	Volute Coverplate - "F" Construction	P51541	P51541	NONE	
4	Seal Kit Buna/Carbon/Ceramic	186543	186543	186544	
4	Seal Kit EPR/Carbon/Tungsten Carbide	185225	185225	NONE	
2	Bearing Frame Assembly Consisting of:	185014	185014	185015	
17	Bearing Frame	P77161	P77161	P77161	
19	Shaft	P79027	P79027	P79027	
20	Bearing Cap	P75612	P75612	P75612	
25	Ball Bearing - Pump End	186571	186571	186571	
26	Ball Bearing - Coupler End	186572	186572	186572	
22	Shaft Sleeve	185142	185142	185143	
7	Impeller Capscrew	P13800	P13800	P13800	
9	Impeller Lockwasher	J23875	J23875	J23875	
10	Impeller Key (Straight) Aug. 1989 (H98) & After	P49372	P49372	P49372	
10	Impeller Key (Woodruff) July 1989 (G98) & Before	H32700	H32700	H32700	
18	Spring Washer	J92560	J92560	J92560	
21	Bearing Cap Capscrew (4)	DJ0066	DJ0066	DJ0066	
13	Water Slinger	P53720	P53720	P53720	

* Includes wear ring.

+ - Shaft only. Does not include sleeve or retaining compound.

— Factory recommended spare parts.

¹Consult Factory for Delivery.

5BB

ITEM NO.	DESCRIPTION	PUMP CONSTRUCTION			
		BRONZE FITTED	BRONZE FITTED WITH WEAR RING	ALL IRON	ALL BRONZE
Parts Common To Both Size Pumps					
8	Volute	N/A**	N/A**	N/A**	N/A
	Wear Ring	—	P50990	—	—
	Volute Drain Plug (4)	P39040	P39040	P39050	P39480
3	Volute Capscrew (12)	P03470	P03470	P03470	S04180
11	Volute Gasket	P48690	P48690	P48690	P48690
15	Coupler	See Coupler Selection Table, Page 48			
14	Coupler Key (Straight) Aug. 1989 (H98) & After	P49373	P49373	P49373	P49373
14	Coupler Key (Woodruff) July 1989 (G98) & Before	H32600	H32600	H32600	H32600
	For ANSI/OSHA Coupling Guard & Support Bracket Kit Selection, See Chart on Page 49				
Parts for Pumps With 1 1/4" Shaft At Seal					
5	Impeller (State Diameter) 9 1/2" Full Dia.	P50930†	P50930†	N/A**	P50930†
6	Impeller Washer	P46380	P46380	P46381	P46390
12	Volute Coverplate	186495	186495	186495	P56799
4	Seal Kit Buna/Carbon/Ceramic	186862	186862	186860	186862
4	Seal Kit EPR/Carbon/Tungsten Carbide	186861	186861	NONE	186861
2	Bearing Frame Assembly Consisting of:	185011	185011	185012	185013
17	Bearing Frame	P77103	P77103	P77103	P77103
19 & 22	Shaft & Sleeve Kit	185308	185308	P78927+	P79018+
20	Bearing Cap	P75606	P75606	P75606	P75606
25	Ball Bearing - Pump End	186002	186002	186002	186002
26	Ball Bearing - Coupler End	186001	186001	186001	186001
22	Shaft Sleeve	185140	185140	185141	NONE
7	Impeller Capscrew	P52350	P52350	P52350	P52350
9	Impeller Lockwasher	J23874	J23874	J23874	J23874
10	Impeller Key (Straight) Aug. 1989 (H98) & After	P49369	P49369	P49369	P49369
10	Impeller Key (Woodruff) July 1989 (G98) & Before	H32500	H32500	H32500	H32500
18	Spring Washer	J92558	J92558	J92558	J92558
21	Bearing Cap Capscrew (4)	J92291	J92291	J92291	J92291
13	Water Slinger	P53550	P53550	P53550	P53550
Parts for Pumps With 1 5/8" Shaft At Seal					
5	Impeller (State Diameter) 9 1/2" Full Dia.	P50970†	P50970†	N/A**	P50970†
6	Impeller Washer	P51230	P51230	P46382	P51250
12	Volute Coverplate	P51540	P51540	P51540	P51560
4	Seal Kit Buna/Carbon/Ceramic	186543	186543	186544	186543
4	Seal Kit EPR/Carbon/Tungsten Carbide	185225	185225	NONE	185225
2	Bearing Frame Assembly Consisting of:	185014	185014	185015	185016
17	Bearing Frame	P77161	P77161	P77161	P77161
19	Shaft	P79027	P79027	P79027	P79028
20	Bearing Cap	P75612	P75612	P75612	P75612
23	Bearing Locknut	P76922	P76922	P76922	P76922
24	Bearing Lockwasher	P77375	P77375	P77375	P77375
25	Ball Bearing - Pump End	186571	186571	186571	186571
26	Ball Bearing - Coupler End	186572	186572	186572	186572
22	Shaft Sleeve	185142	185142	185143	NONE
7	Impeller Capscrew	P13800	P13800	P13800	P13800
9	Impeller Lockwasher	J23875	J23875	J23875	J23875
10	Impeller Key (Straight) Aug. 1989 (H98) & After	P49372	P49372	P49372	P49372
10	Impeller Key (Woodruff) July 1989 (G98) & Before	H32700	H32700	H32700	H32700
18	Spring Washer	J92560	J92560	J92560	J92560
21	Bearing Cap Capscrew (4)	DJ0066	DJ0066	DJ0066	DJ0066
13	Water Slinger	P53720	P53720	P53720	P53720

+ - Shaft only. Does not include sleeve or retaining compound.

N/A - No Longer Available

— - Factory recommended spare parts.

†Consult Factory for Delivery.

**The impeller and/or volute are no longer available. This pump can be converted to the current style pump by ordering both the current style impeller and the current style volute.

5BC

ITEM NO.	DESCRIPTION	PUMP CONSTRUCTION			
		BRONZE FITTED	BRONZE FITTED WITH WEAR RING	ALL IRON	ALL BRONZE
Parts Common To Both Size Pumps					
8	Volute	P43678	P43863*	P43678	
	Wear Ring	—	P49143	—	
	Volute Drain Plug (4)	P39040	P39040	P39050	
	Volute Capscrew (12)	P03470	P03470	P03470	
11	Volute Gasket	P48690	P48690	P48690	
15	Coupler	See Coupler Selection Table, Page 48			
14	Coupler Key (Straight) Aug. 1989 (H98) & After	P49373	P49373	P49373	
14	Coupler Key (Woodruff) July 1989 (G98) & Before	H32600	H32600	H32600	
	For ANSI/OSHA Coupling Guard & Support Bracket Kit Selection, See Chart on Page 49				
Parts for Pumps With 1 1/4" Shaft At Seal					
5	Impeller (State Diameter) 9 1/2" Full Dia.	P50822	P50822	P50824†	
6	Impeller Washer	P46380	P46380	P46381	
12	Volute Coverplate	186495	186495	186495	
12	Volute Coverplate - "F" Construction	P61451	P61451	NONE	
4	Seal Kit Buna/Carbon/Ceramic	186862	186862	186860	
4	Seal Kit EPR/Carbon/Tungsten Carbide	186861	186861	NONE	
2	Bearing Frame Assembly Consisting of:	185011	185011	185012	
17	Bearing Frame	P77103	P77103	P77103	
19 & 22	Shaft & Sleeve Kit	185308	185308	P78927+	
20	Bearing Cap	P75606	P75606	P75606	
25	Ball Bearing - Pump End	186002	186002	186002	
26	Ball Bearing - Coupler End	186001	186001	186001	
22	Shaft Sleeve	185140	185140	185141	
7	Impeller Capscrew	P52350	P52350	P52350	
9	Impeller Lockwasher	J23874	J23874	J23874	
10	Impeller Key (Straight) Aug. 1989 (H98) & After	P49369	P49369	P49369	
10	Impeller Key (Woodruff) July 1989 (G98) & Before	H32500	H32500	H32500	Not Offered
18	Spring Washer	J92558	J92558	J92558	
21	Bearing Cap Capscrew (4)	J92291	J92291	J92291	
13	Water Slinger	P53550	P53550	P53550	
Parts for Pumps With 1 5/8" Shaft At Seal					
5	Impeller (State Diameter) 9 1/2" Full Dia.	P50832	P50832	P50834†	
6	Impeller Washer	P51230	P51230	P46382	
12	Volute Coverplate	P51540	P51540	P51540	
12	Volute Coverplate - "F" Construction	P51541	P51541	NONE	
4	Seal Kit Buna/Carbon/Ceramic	186543	186543	186544	
4	Seal Kit EPR/Carbon/Tungsten Carbide	185225	185225	NONE	
2	Bearing Frame Assembly Consisting of:	185014	185014	185015	
17	Bearing Frame	P77161	P77161	P77161	
19	Shaft	P79027	P79027	P79027	
20	Bearing Cap	P75612	P75612	P75612	
25	Ball Bearing - Pump End	186571	186571	186571	
26	Ball Bearing - Coupler End	186572	186572	186572	
22	Shaft Sleeve	185142	185142	185143	
7	Impeller Capscrew	P13800	P13800	P13800	
9	Impeller Lockwasher	J23875	J23875	J23875	
10	Impeller Key (Straight) Aug. 1989 (H98) & After	P49372	P49372	P49372	
10	Impeller Key (Woodruff) July 1989 (G98) & Before	H32700	H32700	H32700	
18	Spring Washer	J92560	J92560	J92560	
21	Bearing Cap Capscrew (4)	DJ0066	DJ0066	DJ0066	
13	Water Slinger	P53720	P53720	P53720	

* Includes wear ring.

+ - Shaft only. Does not include sleeve or retaining compound.

— Factory recommended spare parts.

†Consult Factory for Delivery.

6BB & BC

ITEM NO.	DESCRIPTION	PUMP CONSTRUCTION			
		BRONZE FITTED	BRONZE FITTED WITH WEAR RING	ALL IRON	ALL BRONZE
8	Volute**	P43692	P43864*	P43692	Not Offered
	Wear Ring	—	P49144	—	
	Volute Drain Plug (4)	P39040	P39040	P39050	
	Volute Capscrew (12)	P03470	P03470	P03470	
11	Volute Gasket	P48690	P48690	P48690	
15	Coupler	See Coupler Selection Table, Page 48			
14	Coupler Key (Straight) Aug. 1989 (H98) & After	P49373	P49373	P49373	
14	Coupler Key (Woodruff) July 1989 (G98) & Before	H32600	H32600	H32600	
	For ANSI/OSHA Coupling Guard & Support Bracket Kit Selection, See Chart on Page 49				
5	Impeller (State Diameter)** 9 1/2" Full Dia.	P50842	P50842	P50844†	
6	Impeller Washer	P51230	P51230	P46382	
12	Volute Coverplate	P51540	P51540	P51540	
12	Volute Coverplate - "F" Construction	P51541	P51541	NONE	
4	Seal Kit Buna/Carbon/Ceramic	186543	186543	186544	
4	Seal Kit EPR/Carbon/Tungsten Carbide	185225	185225	NONE	
2	Bearing Frame Assembly Consisting of:	185014	185014	185015	
17	Bearing Frame	P77161	P77161	P77161	
19	Shaft	P79027	P79027	P79027	
20	Bearing Cap	P75612	P75612	P75612	
25	Ball Bearing - Pump End	186571	186571	186571	
26	Ball Bearing - Coupler End	186572	186572	186572	
22	Shaft Sleeve	185142	185142	185143	
7	Impeller Capscrew	P13800	P13800	P13800	
9	Impeller Lockwasher	J23875	J23875	J23875	
10	Impeller Key (Straight) Aug. 1989 (H98) & After	P49372	P49372	P49372	
10	Impeller Key (Woodruff) July 1989 (G98) & Before	H32700	H32700	H32700	
18	Spring Washer	J92560	J92560	J92560	
21	Bearing Cap Capscrew (4)	DJ0066	DJ0066	DJ0066	
13	Water Slinger	P53720	P53720	P53720	

* Includes wear ring.

** Parts not suitable for 6BB. If impeller or volute is required for 6BB, both must be changed to convert to a current style pump.

— Factory recommended spare parts.

†Consult Factory for Delivery.

2CB

ITEM NO.	DESCRIPTION	PUMP CONSTRUCTION			ALL BRONZE	
		BRONZE FITTED	BRONZE FITTED WITH WEAR RING	ALL IRON		
8	Volute	N/A**	N/A**	N/A**	Not Offered	
	Wear Ring	—	P49144	—		
	Volute Drain Plug (4)	P39040	P39040	P39050		
3	Volute Capscrew (16)	P13780	P13780	P13780		
11	Volute Gasket	P57770	P57770	P57770		
15	Coupler	See Coupler Selection Table, Page 48				
14	Coupler Key (Straight) Aug. 1989 (H98) & After	P49373	P49373	P49373		
14	Coupler Key (Woodruff) July 1989 (G98) & Before	H32600	H32600	H32600		
	For ANSI/OSHA Coupling Guard & Support Bracket Kit Selection, See Chart on Page 49					
5	Impeller (State Diameter) 12 ¹ / ₂ " Full Dia.	P77497	P77497	P51414 [†]		
6	Impeller Washer	P51230	P51230	P46382		
12	Volute Coverplate	N/A**	N/A**	N/A**		
4	Seal Kit Buna/Carbon/Ceramic	186543	186543	186544		
4	Seal Kit EPR/Carbon/Tungsten Carbide	185225	185225	NONE		
2	Bearing Frame Assembly Consisting of:	185014	185014	185015		
17	Bearing Frame	P77161	P77161	P77161		
19	Shaft	P79027	P79027	P79027		
20	Bearing Cap	P75612	P75612	P75612		
25	Ball Bearing - Pump End	186571	186571	186571		
26	Ball Bearing - Coupler End	186572	186572	186572		
22	Shaft Sleeve	185142	185142	185143		
7	Impeller Capscrew	P13800	P13800	P13800		
9	Impeller Lockwasher	J23875	J23875	J23875		
10	Impeller Key (Straight) Aug. 1989 (H98) & After	P49372	P49372	P49372		
10	Impeller Key (Woodruff) July 1989 (G98) & Before	H32700	H32700	H32700		
18	Spring Washer	J92560	J92560	J92560		
21	Bearing Cap Capscrew (4)	DJ0066	DJ0066	DJ0066		
13	Water Slinger	P53720	P53720	P53720		

N/A – No Longer Available

**If a volute or volute coverplate is required, both must be changed to the appropriate "G" size, along with the "G" size volute gasket.

— Factory recommended spare parts.

[†]Consult Factory for Delivery.

3CB

ITEM NO.	DESCRIPTION	PUMP CONSTRUCTION			ALL BRONZE
		BRONZE FITTED	BRONZE FITTED WITH WEAR RING	ALL IRON	
8	Volute	N/A**	N/A**	N/A**	Not Offered
	Wear Ring	—	P50650	—	
	Volute Drain Plug (4)	P39040	P39040	P39050	
3	Volute Capscrew (16)	P13780	P13780	P13780	
11	Volute Gasket	P57770	P57770	P57770	
15	Coupler	See Coupler Selection Table, Page 48			
14	Coupler Key (Straight) Aug. 1989 (H98) & After	P49373	P49373	P49373	
14	Coupler Key (Woodruff) July 1989 (G98) & Before	H32600	H32600	H32600	
	For ANSI/OSHA Coupling Guard & Support Bracket Kit Selection, See Chart on Page 49				
5	Impeller (State Diameter) 12 ¹ / ₂ " Full Dia.	P77501	P77501	P51418 [†]	
6	Impeller Washer	P51230	P51230	P46382	
12	Volute Coverplate	N/A**	N/A**	N/A**	
4	Seal Kit Buna/Carbon/Ceramic	186543	186543	186544	
4	Seal Kit EPR/Carbon/Tungsten Carbide	185225	185225	NONE	
2	Bearing Frame Assembly Consisting of:	185014	185014	185015	
17	Bearing Frame	P77161	P77161	P77161	
19	Shaft	P79027	P79027	P79027	
20	Bearing Cap	P75612	P75612	P75612	
25	Ball Bearing - Pump End	186571	186571	186571	
26	Ball Bearing - Coupler End	186572	186572	186572	
22	Shaft Sleeve	185142	185142	185143	
7	Impeller Capscrew	P13800	P13800	P13800	
9	Impeller Lockwasher	J23875	J23875	J23875	
10	Impeller Key (Straight) Aug. 1989 (H98) & After	P49372	P49372	P49372	
10	Impeller Key (Woodruff) July 1989 (G98) & Before	H32700	H32700	H32700	
18	Spring Washer	J92560	J92560	J92560	
21	Bearing Cap Capscrew (4)	DJ0066	DJ0066	DJ0066	
13	Water Slinger	P53720	P53720	P53720	

N/A – No Longer Available

**If a volute or volute coverplate is required, both must be changed to the appropriate "G" size, along with the "G" size volute gasket.

— Factory recommended spare parts.

[†]Consult Factory for Delivery.

4CB

ITEM NO.	DESCRIPTION	PUMP CONSTRUCTION			ALL BRONZE
		BRONZE FITTED	BRONZE FITTED WITH WEAR RING	ALL IRON	
8	Volute	N/A**	N/A**	N/A**	Not Offered
	Wear Ring	—	P49134	—	
	Volute Drain Plug (4)	P39040	P39040	P39050	
3	Volute Capscrew (16)	P13780	P13780	P13780	
11	Volute Gasket	P57770	P57770	P57770	
15	Coupler	See Coupler Selection Table, Page 48			
14	Coupler Key (Straight) Aug. 1989 (H98) & After	P49373	P49373	P49373	
14	Coupler Key (Woodruff) July 1989 (G98) & Before	H32600	H32600	H32600	
	For ANSI/OSHA Coupling Guard & Support Bracket Kit Selection, See Chart on Page 49				
5	Impeller (State Diameter) 13 ¹ / ₂ " Full Dia.	P77505	P77505	P51424 [†]	
6	Impeller Washer	P51230	P51230	P46382	
12	Volute Coverplate	N/A**	N/A**	N/A**	
4	Seal Kit Buna/Carbon/Ceramic	186543	186543	186544	
4	Seal Kit EPR/Carbon/Tungsten Carbide	185225	185225	NONE	
2	Bearing Frame Assembly Consisting of:	185014	185014	185015	
17	Bearing Frame	P77161	P77161	P77161	
19	Shaft	P79027	P79027	P79027	
20	Bearing Cap	P75612	P75612	P75612	
25	Ball Bearing - Pump End	186571	186571	186571	
26	Ball Bearing - Coupler End	186572	186572	186572	
22	Shaft Sleeve	185142	185142	185143	
7	Impeller Capscrew	P13800	P13800	P13800	
9	Impeller Lockwasher	J23875	J23875	J23875	
10	Impeller Key (Straight) Aug. 1989 (H98) & After	P49372	P49372	P49372	
10	Impeller Key (Woodruff) July 1989 (G98) & Before	H32700	H32700	H32700	
18	Spring Washer	J92560	J92560	J92560	
21	Bearing Cap Capscrew (4)	DJ0066	DJ0066	DJ0066	
13	Water Slinger	P53720	P53720	P53720	

N/A – No Longer Available

**If a volute or volute coverplate is required, both must be changed to the appropriate "G" size, along with the "G" size volute gasket.

— Factory recommended spare parts.

[†]Consult Factory for Delivery.

5CB

ITEM NO.	DESCRIPTION	PUMP CONSTRUCTION			ALL BRONZE
		BRONZE FITTED	BRONZE FITTED WITH WEAR RING	ALL IRON	
8	Volute	N/A**	N/A**	N/A**	Not Offered
	Wear Ring	—	P49136	—	
	Volute Drain Plug (4)	P39040	P39040	P39050	
3	Volute Capscrew (16)	P13780	P13780	P13780	
11	Volute Gasket	P57770	P57770	P57770	
15	Coupler	See Coupler Selection Table, Page 48			
14	Coupler Key (Straight) Aug. 1989 (H98) & After	P49373	P49373	P49373	
14	Coupler Key (Woodruff) July 1989 (G98) & Before	H32600	H32600	H32600	
	For ANSI/OSHA Coupling Guard & Support Bracket Kit Selection, See Chart on Page 49				
5	Impeller (State Diameter) 12 ¹ / ₂ " Full Dia.	P77509	P77509	N/A	
6	Impeller Washer	P51230	P51230	P46382	
12	Volute Coverplate	N/A**	N/A**	N/A**	
4	Seal Kit Buna/Carbon/Ceramic	186543	186543	186544	
4	Seal Kit EPR/Carbon/Tungsten Carbide	185225	185225	NONE	
2	Bearing Frame Assembly Consisting of:	185014	185014	185015	
17	Bearing Frame	P77161	P77161	P77161	
19	Shaft	P79027	P79027	P79027	
20	Bearing Cap	P75612	P75612	P75612	
25	Ball Bearing - Pump End	186571	186571	186571	
26	Ball Bearing - Coupler End	186572	186572	186572	
22	Shaft Sleeve	185142	185142	185143	
7	Impeller Capscrew	P13800	P13800	P13800	
9	Impeller Lockwasher	J23875	J23875	J23875	
10	Impeller Key (Straight) Aug. 1989 (H98) & After	P49372	P49372	P49372	
10	Impeller Key (Woodruff) July 1989 (G98) & Before	H32700	H32700	H32700	
18	Spring Washer	J92560	J92560	J92560	
21	Bearing Cap Capscrew (4)	DJ0066	DJ0066	DJ0066	
13	Water Slinger	P53720	P53720	P53720	

N/A – No Longer Available

**If a volute or volute coverplate is required, both must be changed to the appropriate "G" size, along with the "G" size volute gasket.

— Factory recommended spare parts.

6CB

ITEM NO.	DESCRIPTION	PUMP CONSTRUCTION			ALL BRONZE
		BRONZE FITTED	BRONZE FITTED WITH WEAR RING	ALL IRON	
8	Volute	N/A**	N/A**	N/A**	Not Offered
	Wear Ring	—	P49138	—	
	Volute Drain Plug (4)	P39040	P39040	P39050	
3	Volute Capscrew (16)	P13780	P13780	P13780	
11	Volute Gasket	P57770	P57770	P57770	
15	Coupler	See Coupler Selection Table, Page 48			
14	Coupler Key (Straight) Aug. 1989 (H98) & After	P49373	P49373	P49373	
14	Coupler Key (Woodruff) July 1989 (G98) & Before	H32600	H32600	H32600	
	For ANSI/OSHA Coupling Guard & Support Bracket Kit Selection, See Chart on Page 49				
5	Impeller (State Diameter) 12 ¹ / ₂ " Full Dia.	P77513	P77513	N/A	
6	Impeller Washer	P51230	P51230	P46382	
12	Volute Coverplate	N/A**	N/A**	N/A**	
4	Seal Kit Buna/Carbon/Ceramic	186543	186543	186544	
4	Seal Kit EPR/Carbon/Tungsten Carbide	185225	185225	NONE	
2	Bearing Frame Assembly Consisting of:	185014	185014	185015	
17	Bearing Frame	P77161	P77161	P77161	
19	Shaft	P79027	P79027	P79027	
20	Bearing Cap	P75612	P75612	P75612	
25	Ball Bearing - Pump End	186571	186571	186571	
26	Ball Bearing - Coupler End	186572	186572	186572	
22	Shaft Sleeve	185142	185142	185143	
7	Impeller Capscrew	P13800	P13800	P13800	
9	Impeller Lockwasher	J23875	J23875	J23875	
10	Impeller Key (Straight) Aug. 1989 (H98) & After	P49372	P49372	P49372	
10	Impeller Key (Woodruff) July 1989 (G98) & Before	H32700	H32700	H32700	
18	Spring Washer	J92560	J92560	J92560	
21	Bearing Cap Capscrew (4)	DJ0066	DJ0066	DJ0066	
13	Water Slinger	P53720	P53720	P53720	

N/A – No Longer Available

**If a volute or volute coverplate is required, both must be changed to the appropriate "G" size, along with the "G" size volute gasket.

— Factory recommended spare parts.

2E

ITEM NO.	DESCRIPTION	PUMP CONSTRUCTION			
		BRONZE FITTED	BRONZE FITTED WITH WEAR RING	ALL IRON	ALL BRONZE
Parts Common To Both Size Pumps					
8	Volute	P43955	P44019*	P43955	
	Wear Ring	—	P49870	—	
	Volute Drain Plug (4)	P39040	P39040	P39050	
3	Volute Capscrew (16)	P13780	P13780	P13780	
11	Volute Gasket	P80765	P80765	P80765	
15	Coupler	See Coupler Selection Table, Page 48			
14	Coupler Key (Straight) Aug. 1989 (H98) & After	P49373	P49373	P49373	
14	Coupler Key (Woodruff) July 1989 (G98) & Before	H32600	H32600	H32600	
	For ANSI/OSHA Coupling Guard & Support Bracket Kit Selection, See Chart on Page 49				
Parts for Pumps With 1 1/4" Shaft At Seal					
5	Impeller (State Diameter) 11" Full Dia.	P50848	P50848	P50850 [†]	
6	Impeller Washer	P46380	P46380	P46381	
12	Volute Coverplate	P53042	P53042	P53042	
12	Volute Coverplate - "F" Construction	P53043	P53043	NONE	
4	Seal Kit Buna/Carbon/Ceramic	186862	186862	186860	
4	Seal Kit EPR/Carbon/Tungsten Carbide	186861	186861	NONE	
2	Bearing Frame Assembly Consisting of:	185011	185011	185012	
17	Bearing Frame	P77103	P77103	P77103	
19 & 22	Shaft & Sleeve Kit	185308	185308	P78927+	
20	Bearing Cap	P75606	P75606	P75606	
25	Ball Bearing - Pump End	186002	186002	186002	
26	Ball Bearing - Coupler End	186001	186001	186001	
22	Shaft Sleeve	185140	185140	185141	
7	Impeller Capscrew	P52350	P52350	P52350	
9	Impeller Lockwasher	J23874	J23874	J23874	
10	Impeller Key (Straight) Aug. 1989 (H98) & After	P49369	P49369	P49369	
10	Impeller Key (Woodruff) July 1989 (G98) & Before	H32500	H32500	H32500	Not Offered
18	Spring Washer	J92558	J92558	J92558	
21	Bearing Cap Capscrew (4)	J92291	J92291	J92291	
13	Water Slinger	P53550	P53550	P53550	
Parts for Pumps With 1 5/8" Shaft At Seal					
5	Impeller (State Diameter) 11" Full Dia.	P50880	P50880	P50882 [†]	
6	Impeller Washer	P51230	P51230	P46382	
12	Volute Coverplate	P53046	P53046	P53046	
12	Volute Coverplate - "F" Construction	P53047	P53047	NONE	
4	Seal Kit Buna/Carbon/Ceramic	186543	186543	186544	
4	Seal Kit EPR/Carbon/Tungsten Carbide	185225	185225	NONE	
2	Bearing Frame Assembly Consisting of:	185014	185014	185015	
17	Bearing Frame	P77161	P77161	P77161	
19	Shaft	P79027	P79027	P79027	
20	Bearing Cap	P75612	P75612	P75612	
25	Ball Bearing - Pump End	186571	186571	186571	
26	Ball Bearing - Coupler End	186572	186572	186572	
22	Shaft Sleeve	185142	185142	185143	
7	Impeller Capscrew	P13800	P13800	P13800	
9	Impeller Lockwasher	J23875	J23875	J23875	
10	Impeller Key (Straight) Aug. 1989 (H98) & After	P49372	P49372	P49372	
10	Impeller Key (Woodruff) July 1989 (G98) & Before	H32700	H32700	H32700	
18	Spring Washer	J92560	J92560	J92560	
21	Bearing Cap Capscrew (4)	DJ0066	DJ0066	DJ0066	
13	Water Slinger	P53720	P53720	P53720	

* Includes wear ring.

+ - Shaft only. Does not include sleeve or retaining compound.

— Factory recommended spare parts.

[†]Consult Factory for Delivery.

3E

ITEM NO.	DESCRIPTION	PUMP CONSTRUCTION			
		BRONZE FITTED	BRONZE FITTED WITH WEAR RING	ALL IRON	ALL BRONZE
Parts Common To Both Size Pumps					
8	Volute	P43952	P44011*	P43952	
	Wear Ring	—	P50650	—	
	Volute Drain Plug (4)	P39040	P39040	P39050	
3	Volute Capscrew (16)	P13780	P13780	P13780	
11	Volute Gasket	P80765	P80765	P80765	
15	Coupler	See Coupler Selection Table, Page 48			
14	Coupler Key (Straight) Aug. 1989 (H98) & After	P49373	P49373	P49373	
14	Coupler Key (Woodruff) July 1989 (G98) & Before	H32600	H32600	H32600	
	For ANSI/OSHA Coupling Guard & Support Bracket Kit Selection, See Chart on Page 49				
Parts for Pumps With 1 1/4" Shaft At Seal					
5	Impeller (State Diameter) 11" Full Dia.	P50852	P50852	P50854†	
6	Impeller Washer	P46380	P46380	P46381	
12	Volute Coverplate	P53042	P53042	P53042	
12	Volute Coverplate - "F" Construction	P53043	P53043	NONE	
4	Seal Kit Buna/Carbon/Ceramic	186862	186862	186860	
4	Seal Kit EPR/Carbon/Tungsten Carbide	186861	186861	NONE	
2	Bearing Frame Assembly Consisting of:	185011	185011	185012	
17	Bearing Frame	P77103	P77103	P77103	
19 & 22	Shaft & Sleeve Kit	185308	185308	P78927+	
20	Bearing Cap	P75606	P75606	P75606	
25	Ball Bearing - Pump End	186002	186002	186002	
26	Ball Bearing - Coupler End	186001	186001	186001	
22	Shaft Sleeve	185140	185140	185141	
7	Impeller Capscrew	P52350	P52350	P52350	
9	Impeller Lockwasher	J23874	J23874	J23874	
10	Impeller Key (Straight) Aug. 1989 (H98) & After	P49369	P49369	P49369	
10	Impeller Key (Woodruff) July 1989 (G98) & Before	H32500	H32500	H32500	Not Offered
18	Spring Washer	J92558	J92558	J92558	
21	Bearing Cap Capscrew (4)	J92291	J92291	J92291	
13	Water Slinger	P53550	P53550	P53550	
Parts for Pumps With 1 5/8" Shaft At Seal					
5	Impeller (State Diameter) 11" Full Dia.	P50856	P50856	P50858†	
6	Impeller Washer	P51230	P51230	P46382	
12	Volute Coverplate	P53046	P53046	P53046	
12	Volute Coverplate - "F" Construction	P53047	P53047	NONE	
4	Seal Kit Buna/Carbon/Ceramic	186543	186543	186544	
4	Seal Kit EPR/Carbon/Tungsten Carbide	185225	185225	NONE	
2	Bearing Frame Assembly Consisting of:	185014	185014	185015	
17	Bearing Frame	P77161	P77161	P77161	
19	Shaft	P79027	P79027	P79027	
20	Bearing Cap	P75612	P75612	P75612	
25	Ball Bearing - Pump End	186571	186571	186571	
26	Ball Bearing - Coupler End	186572	186572	186572	
22	Shaft Sleeve	185142	185142	185143	
7	Impeller Capscrew	P13800	P13800	P13800	
9	Impeller Lockwasher	J23875	J23875	J23875	
10	Impeller Key (Straight) Aug. 1989 (H98) & After	P49372	P49372	P49372	
10	Impeller Key (Woodruff) July 1989 (G98) & Before	H32700	H32700	H32700	
18	Spring Washer	J92560	J92560	J92560	
21	Bearing Cap Capscrew (4)	DJ0066	DJ0066	DJ0066	
13	Water Slinger	P53720	P53720	P53720	

* Includes wear ring.

+ - Shaft only. Does not include sleeve or retaining compound.

† - Factory recommended spare parts.

‡ Consult Factory for Delivery.

4E

ITEM NO.	DESCRIPTION	PUMP CONSTRUCTION			
		BRONZE FITTED	BRONZE FITTED WITH WEAR RING	ALL IRON	ALL BRONZE
Parts Common To Both Size Pumps					
8	Volute	P43958	P44012*	P43958	
	Wear Ring	—	P49142	—	
	Volute Drain Plug (4)	P39040	P39040	P39050	
3	Volute Capscrew (16)	P13780	P13780	P13780	
11	Volute Gasket	P80765	P80765	P80765	
15	Coupler	See Coupler Selection Table, Page 48			
14	Coupler Key (Straight) Aug. 1989 (H98) & After	P49373	P49373	P49373	
14	Coupler Key (Woodruff) July 1989 (G98) & Before	H32600	H32600	H32600	
	For ANSI/OSHA Coupling Guard & Support Bracket Kit Selection, See Chart on Page 49				
Parts for Pumps With 1 1/4" Shaft At Seal					
5	Impeller (State Diameter) 11" Full Dia.	P50862	P50862	P50864†	
6	Impeller Washer	P46380	P46380	P46381	
12	Volute Coverplate	P53042	P53042	P53042	
12	Volute Coverplate - "F" Construction	P53043	P53043	NONE	
4	Seal Kit Buna/Carbon/Ceramic	186862	186862	186860	
4	Seal Kit EPR/Carbon/Tungsten Carbide	186861	186861	NONE	
2	Bearing Frame Assembly Consisting of:	185011	185011	185012	
17	Bearing Frame	P77103	P77103	P77103	
19 & 22	Shaft & Sleeve Kit	185308	185308	P78927+	
20	Bearing Cap	P75606	P75606	P75606	
25	Ball Bearing - Pump End	186002	186002	186002	
26	Ball Bearing - Coupler End	186001	186001	186001	
22	Shaft Sleeve	185140	185140	185141	
7	Impeller Capscrew	P52350	P52350	P52350	
9	Impeller Lockwasher	J23874	J23874	J23874	
10	Impeller Key (Straight) Aug. 1989 (H98) & After	P49369	P49369	P49369	
10	Impeller Key (Woodruff) July 1989 (G98) & Before	H32500	H32500	H32500	
18	Spring Washer	J92558	J92558	J92558	
21	Bearing Cap Capscrew (4)	J92291	J92291	J92291	
13	Water Slinger	P53550	P53550	P53550	
Parts for Pumps With 1 5/8" Shaft At Seal					
5	Impeller (State Diameter) 11" Full Dia.	P50866	P50866	P50868†	
6	Impeller Washer	P51230	P51230	P46382	
12	Volute Coverplate	P53046	P53046	P53046	
4	Volute Coverplate - "F" Construction	P53047	P53047	NONE	
4	Seal Kit Buna/Carbon/Ceramic	186543	186543	186544	
4	Seal Kit EPR/Carbon/Tungsten Carbide	185225	185225	NONE	
2	Bearing Frame Assembly Consisting of:	185014	185014	185015	
17	Bearing Frame	P77161	P77161	P77161	
19	Shaft	P79027	P79027	P79027	
20	Bearing Cap	P75612	P75612	P75612	
25	Ball Bearing - Pump End	186571	186571	186571	
26	Ball Bearing - Coupler End	186572	186572	186572	
22	Shaft Sleeve	185142	185142	185143	
7	Impeller Capscrew	P13800	P13800	P13800	
9	Impeller Lockwasher	J23875	J23875	J23875	
10	Impeller Key (Straight) Aug. 1989 (H98) & After	P49372	P49372	P49372	
10	Impeller Key (Woodruff) July 1989 (G98) & Before	H32700	H32700	H32700	
18	Spring Washer	J92560	J92560	J92560	
21	Bearing Cap Capscrew (4)	DJ0066	DJ0066	DJ0066	
13	Water Slinger	P53720	P53720	P53720	

Not Offered

* Includes wear ring.

+ - Shaft only. Does not include sleeve or retaining compound.

— - Factory recommended spare parts.

†Consult Factory for Delivery.

5E

ITEM NO.	DESCRIPTION	PUMP CONSTRUCTION				
		BRONZE FITTED	BRONZE FITTED WITH WEAR RING	ALL IRON	ALL BRONZE	
8	Volute	P43965	P44013*	P43965	Not Offered	
	Wear Ring	—	P51390	—		
	Volute Drain Plug (4)	P39040	P39040	P39050		
3	Volute Capscrew (16)	P13780	P13780	P13780		
11	Volute Gasket	P80765	P80765	P80765		
15	Coupler	See Coupler Selection Table, Page 48				
14	Coupler Key (Straight) Aug. 1989 (H98) & After	P49373	P49373	P49373		
14	Coupler Key (Woodruff) July 1989 (G98) & Before	H32600	H32600	H32600		
	For ANSI/OSHA Coupling Guard & Support Bracket Kit Selection, See Chart on Page 49					
Parts for Pumps with 1⁵/₈" Shaft at Seal						
5	Impeller (State Diameter) 11" Full Dia.	P50872	P50872	P50874†		
6	Impeller Washer	P51230	P51230	P46382		
12	Volute Coverplate	P53046	P53046	P53046		
12	Volute Coverplate - "F" Construction	P53047	P53047	NONE		
4	Seal Kit Buna/Carbon/Ceramic	186543	186543	186544		
4	Seal Kit EPR/Carbon/Tungsten Carbide	185225	185225	NONE		
2	Bearing Frame Assembly Consisting of:	185014	185014	185015		
17	Bearing Frame	P77161	P77161	P77161		
19	Shaft	P79027	P79027	P79027		
20	Bearing Cap	P75612	P75612	P75612		
25	Ball Bearing - Pump End	186571	186571	186571		
26	Ball Bearing - Coupler End	186572	186572	186572		
22	Shaft Sleeve	185142	185142	185143		
7	Impeller Capscrew	P13800	P13800	P13800		
9	Impeller Lockwasher	J23875	J23875	J23875		
10	Impeller Key (Straight) Aug. 1989 (H98) & After	P49372	P49372	P49372		
10	Impeller Key (Woodruff) July 1989 (G98) & Before	H32700	H32700	H32700		
18	Spring Washer	J92560	J92560	J92560		
21	Bearing Cap Capscrew (4)	DJ0066	DJ0066	DJ0066		
13	Water Slinger	P53720	P53720	P53720		

* Includes wear ring.

— Factory recommended spare parts.

†Consult Factory for Delivery.

6E

ITEM NO.	DESCRIPTION	PUMP CONSTRUCTION				
		BRONZE FITTED	BRONZE FITTED WITH WEAR RING	ALL IRON	ALL BRONZE	
8	Volute	P43972	P44014*	P43972	Not Offered	
	Wear Ring	—	P81949	—		
	Volute Drain Plug (4)	P39040	P39040	P39050		
3	Volute Capscrew (16)	P13780	P13780	P13780		
11	Volute Gasket	P80765	P80765	P80765		
15	Coupler	See Coupler Selection Table, Page 48				
14	Coupler Key (Straight) Aug. 1989 (H98) & After	P49373	P49373	P49373		
14	Coupler Key (Woodruff) July 1989 (G98) & Before	H32600	H32600	H32600		
	For ANSI/OSHA Coupling Guard & Support Bracket Kit Selection, See Chart on Page 49					
Parts for Pumps with 1⁵/₈" Shaft at Seal						
5	Impeller (State Diameter) 11" Full Dia.	P50876	P50876	P50878†		
6	Impeller Washer	P51230	P51230	P46382		
12	Volute Coverplate	P53046	P53046	P53046		
12	Volute Coverplate - "F" Construction	P53047	P53047	NONE		
4	Seal Kit Buna/Carbon/Ceramic	186543	186543	186544		
4	Seal Kit EPR/Carbon/Tungsten Carbide	185225	185225	NONE		
2	Bearing Frame Assembly Consisting of:	185014	185014	185015		
17	Bearing Frame	P77161	P77161	P77161		
19	Shaft	P79027	P79027	P79027		
20	Bearing Cap	P75612	P75612	P75612		
25	Ball Bearing - Pump End	186571	186571	186571		
26	Ball Bearing - Coupler End	186572	186572	186572		
22	Shaft Sleeve	185142	185142	185143		
7	Impeller Capscrew	P13800	P13800	P13800		
9	Impeller Lockwasher	J23875	J23875	J23875		
10	Impeller Key (Straight) Aug. 1989 (H98) & After	P49372	P49372	P49372		
10	Impeller Key (Woodruff) July 1989 (G98) & Before	H32700	H32700	H32700		
18	Spring Washer	J92560	J92560	J92560		
21	Bearing Cap Capscrew (4)	DJ0066	DJ0066	DJ0066		
13	Water Slinger	P53720	P53720	P53720		

* Includes wear ring.

— Factory recommended spare parts.

†Consult Factory for Delivery.

2G

ITEM NO.	DESCRIPTION	PUMP CONSTRUCTION				
		BRONZE FITTED	BRONZE FITTED WITH WEAR RING	ALL IRON	ALL BRONZE	
8	Volute	P44071	P44091*	P44071	Not Offered	
	Wear Ring	—	P49130	—		
	Volute Drain Plug (4)	P39040	P39040	P39050		
3	Volute Capscrew (16)	P13780	P13780	P13780		
11	Volute Gasket	P80767	P80767	P80767		
15	Coupler	See Coupler Selection Table, Page 48				
14	Coupler Key (Straight) Aug. 1989 (H98) & After	P49373	P49373	P49373		
14	Coupler Key (Woodruff) July 1989 (G98) & Before	H32600	H32600	H32600		
	For ANSI/OSHA Coupling Guard & Support Bracket Kit Selection, See Chart on Page 49					
Parts for Pumps with 1⁵/₈" Shaft at Seal						
5	Impeller (State Diameter) 13 ¹ / ₂ " Full Dia.	P51412	P51412	P51414†		
6	Impeller Washer	P51230	P51230	P46382		
12	Volute Coverplate	P51561	P51561	P51561		
12	Volute Coverplate - "F" Construction	P51567	P51567	NONE		
4	Seal Kit Buna/Carbon/Ceramic	186543	186543	186544		
4	Seal Kit EPR/Carbon/Tungsten Carbide	185225	185225	NONE		
2	Bearing Frame Assembly Consisting of:	185014	185014	185015		
17	Bearing Frame	P77161	P77161	P77161		
19	Shaft	P79027	P79027	P79027		
20	Bearing Cap	P75612	P75612	P75612		
25	Ball Bearing - Pump End	186571	186571	186571		
26	Ball Bearing - Coupler End	186572	186572	186572		
22	Shaft Sleeve	185142	185142	185143		
7	Impeller Capscrew	P13800	P13800	P13800		
9	Impeller Lockwasher	J23875	J23875	J23875		
10	Impeller Key (Straight) Aug. 1989 (H98) & After	P49372	P49372	P49372		
10	Impeller Key (Woodruff) July 1989 (G98) & Before	H32700	H32700	H32700		
18	Spring Washer	J92560	J92560	J92560		
21	Bearing Cap Capscrew (4)	DJ0066	DJ0066	DJ0066		
13	Water Slinger	P53720	P53720	P53720		

* Includes wear ring.

— Factory recommended spare parts.

†Consult Factory for Delivery.

3G

ITEM NO.	DESCRIPTION	PUMP CONSTRUCTION			ALL BRONZE	
		BRONZE FITTED	BRONZE FITTED WITH WEAR RING	ALL IRON		
8	Volute	P44073	P44092*	P44073	Not Offered	
	Wear Ring	—	P50650	—		
	Volute Drain Plug (4)	P39040	P39040	P39050		
3	Volute Capscrew (16)	P13780	P13780	P13780		
11	Volute Gasket	P80767	P80767	P80767		
15	Coupler	See Coupler Selection Table, Page 48				
14	Coupler Key (Straight) Aug. 1989 (H98) & After	P49373	P49373	P49373		
14	Coupler Key (Woodruff) July 1989 (G98) & Before	H32600	H32600	H32600		
	For ANSI/OSHA Coupling Guard & Support Bracket Kit Selection, See Chart on Page 49					
Parts for Pumps with 1⁵/₈" Shaft at Seal						
5	Impeller (State Diameter) 13 ¹ / ₂ " Full Dia.	P51416	P51416	P51418†		
6	Impeller Washer	P51230	P51230	P46382		
12	Volute Coverplate	P51561	P51561	P51561		
12	Volute Coverplate - "F" Construction	P51567	P51567	NONE		
4	Seal Kit Buna/Carbon/Ceramic	186543	186543	186544		
4	Seal Kit EPR/Carbon/Tungsten Carbide	185225	185225	NONE		
2	Bearing Frame Assembly Consisting of:	185014	185014	185015		
17	Bearing Frame	P77161	P77161	P77161		
19	Shaft	P79027	P79027	P79027		
20	Bearing Cap	P75612	P75612	P75612		
25	Ball Bearing - Pump End	186571	186571	186571		
26	Ball Bearing - Coupler End	186572	186572	186572		
22	Shaft Sleeve	185142	185142	185143		
7	Impeller Capscrew	P13800	P13800	P13800		
9	Impeller Lockwasher	J23875	J23875	J23875		
10	Impeller Key (Straight) Aug. 1989 (H98) & After	P49372	P49372	P49372		
10	Impeller Key (Woodruff) July 1989 (G98) & Before	H32700	H32700	H32700		
18	Spring Washer	J92560	J92560	J92560		
21	Bearing Cap Capscrew (4)	DJ0066	DJ0066	DJ0066		
13	Water Slinger	P53720	P53720	P53720		

* Includes wear ring.

— Factory recommended spare parts.

†Consult Factory for Delivery.

4G

ITEM NO.	DESCRIPTION	PUMP CONSTRUCTION				
		BRONZE FITTED	BRONZE FITTED WITH WEAR RING	ALL IRON	ALL BRONZE	
8	Volute	P44075	N/A**	P44075	Not Offered	
	Wear Ring	—	P49134	—		
	Volute Drain Plug (4)	P39040	P39040	P39050		
3	Volute Capscrew (16)	P13780	P13780	P13780		
11	Volute Gasket	P80767	P80767	P80767		
15	Coupler	See Coupler Selection Table, Page 48				
14	Coupler Key (Straight) Aug. 1989 (H98) & After	P49373	P49373	P49373		
14	Coupler Key (Woodruff) July 1989 (G98) & Before	H32600	H32600	H32600		
	For ANSI/OSHA Coupling Guard & Support Bracket Kit Selection, See Chart on Page 49					
Parts for Pumps with 1⁵/₈" Shaft at Seal						
5	Impeller (State Diameter) 13 ¹ / ₂ " Full Dia.	P51422	P51422	P51424 [†]		
6	Impeller Washer	P51230	P51230	P46382		
12	Volute Coverplate	P51561	P51561	P51561		
12	Volute Coverplate - "F" Construction	P51567	P51567	NONE		
4	Seal Kit Buna/Carbon/Ceramic	186543	186543	186544		
4	Seal Kit EPR/Carbon/Tungsten Carbide	185225	185225	NONE		
2	Bearing Frame Assembly Consisting of:	185014	185014	185015		
17	Bearing Frame	P77161	P77161	P77161		
19	Shaft	P79027	P79027	P79027		
20	Bearing Cap	P75612	P75612	P75612		
25	Ball Bearing - Pump End	186571	186571	186571		
26	Ball Bearing - Coupler End	186572	186572	186572		
22	Shaft Sleeve	185142	185142	185143		
7	Impeller Capscrew	P13800	P13800	P13800		
9	Impeller Lockwasher	J23875	J23875	J23875		
10	Impeller Key (Straight) Aug. 1989 (H98) & After	P49372	P49372	P49372		
10	Impeller Key (Woodruff) July 1989 (G98) & Before	H32700	H32700	H32700		
18	Spring Washer	J92560	J92560	J92560		
21	Bearing Cap Capscrew (4)	DJ0066	DJ0066	DJ0066		
13	Water Slinger	P53720	P53720	P53720		

— Factory recommended spare parts.

[†]Consult Factory for Delivery.

N/A – No Longer Available

**The impeller and/or volute are no longer available. This pump can be converted to the current style pump by ordering both the current style impeller and the current style volute.

4GB

ITEM NO.	DESCRIPTION	PUMP CONSTRUCTION				
		BRONZE FITTED	BRONZE FITTED WITH WEAR RING	ALL IRON	ALL BRONZE	
8	Volute	P85684	P85685*	P85684	Not Offered	
	Wear Ring	—	P49134	—		
	Volute Drain Plug (4)	P39040	P39040	P39050		
3	Volute Capscrew (16)	P13780	P13780	P13780		
11	Volute Gasket	P80767	P80767	P80767		
15	Coupler	See Coupler Selection Table, Page 48				
14	Coupler Key (Straight) Aug. 1989 (H98) & After	P49373	P49373	P49373		
14	Coupler Key (Woodruff) July 1989 (G98) & Before	H32600	H32600	H32600		
	For ANSI/OSHA Coupling Guard & Support Bracket Kit Selection, See Chart on Page 49					
Parts for Pumps with 1⁵/₈" Shaft at Seal						
5	Impeller (State Diameter) 13 ¹ / ₂ " Full Dia.	P85691	P85691	P85689†		
6	Impeller Washer	P51230	P51230	P46382		
12	Volute Coverplate	P51561	P51561	P51561		
12	Volute Coverplate - "F" Construction	P51567	P51567	NONE		
4	Seal Kit Buna/Carbon/Ceramic	186543	186543	186544		
4	Seal Kit EPR/Carbon/Tungsten Carbide	185225	185225	NONE		
2	Bearing Frame Assembly Consisting of:	185014	185014	185015		
17	Bearing Frame	P77161	P77161	P77161		
19	Shaft	P79027	P79027	P79027		
20	Bearing Cap	P75612	P75612	P75612		
25	Ball Bearing - Pump End	186571	186571	186571		
26	Ball Bearing - Coupler End	186572	186572	186572		
22	Shaft Sleeve	185142	185142	185143		
7	Impeller Capscrew	P13800	P13800	P13800		
9	Impeller Lockwasher	J23875	J23875	J23875		
10	Impeller Key (Straight) Aug. 1989 (H98) & After	P49372	P49372	P49372		
10	Impeller Key (Woodruff) July 1989 (G98) & Before	H32700	H32700	H32700		
18	Spring Washer	J92560	J92560	J92560		
21	Bearing Cap Capscrew (4)	DJ0066	DJ0066	DJ0066		
13	Water Slinger	P53720	P53720	P53720		

* Includes wear ring.

— Factory recommended spare parts.

†Consult Factory for Delivery.

5G

ITEM NO.	DESCRIPTION	PUMP CONSTRUCTION				
		BRONZE FITTED	BRONZE FITTED WITH WEAR RING	ALL IRON	ALL BRONZE	
Parts Common To Both Size Pumps						
8	Volute	P44077	P44094*	P44077	Not Offered	
	Wear Ring	—	P49136	—		
	Volute Drain Plug (4)	P39040	P39040	P39050		
3	Volute Capscrew (16)	P13780	P13780	P13780		
11	Volute Gasket	P80767	P80767	P80767		
15	Coupler	See Coupler Selection Table, Page 48				
	For ANSI/OSHA Coupling Guard & Support Bracket Kit Selection, See Chart on Page 49					
Parts for Pumps With 1⁹/₁₆" Shaft At Seal						
5	Impeller (State Diameter) 12 ⁹ / ₁₆ "-13 ¹ / ₂ "	P78533	P78533	P77528		
5	Impeller (State Diameter) 12 ¹ / ₂ "-or Less	P77509	P77509	P77528		
6	Impeller Washer	P51230	P51230	P46382		
12	Volute Coverplate	P51561	P51561	P51561		
12	Volute Coverplate - "F" Construction	P51567	P51567	NONE		
4	Seal Kit Buna/Carbon/Ceramic	186543	186543	186544		
4	Seal Kit EPR/Carbon/Tungsten Carbide	185225	185225	NONE		
2	Bearing Frame Assembly Consisting of:	185014	185014	185015		
17	Bearing Frame	P77161	P77161	P77161		
19	Shaft & Sleeve Kit	P79027	P79027	P79027		
20	Bearing Cap	P75612	P75612	P75612		
25	Ball Bearing - Pump End	186571	186571	186571		
26	Ball Bearing - Coupler End	186572	186572	186572		
22	Shaft Sleeve	185142	185142	185143		
7	Impeller Capscrew	P13800	P13800	P13800		
9	Impeller Lockwasher	J23875	J23875	J23875		
10	Impeller (Straight) Aug. 1989 (H98) & After	P49372	P49372	P49372		
10	Impeller Key (Woodruff) July 1989 (G98) & Before	H32700	H32700	H32700		
14	Coupler Key (Straight) Aug. 1989 (H98) & After	P49373	P49373	P49373		
14	Coupler Key (Woodruff) July 1989 (G98) & Before	H32600	H32600	H32600		
18	Spring Washer	J92560	J92560	J92560		
21	Bearing Cap Capscrew (4)	DJ0066	DJ0066	DJ0066		
13	Water Slinger	P53720	P53720	P53720		
Parts for Pumps With 2³/₁₆" Shaft At Seal^Δ						
5	Impeller (State Diameter) 13 ¹ / ₂ " Full Dia.	P51426	P51426	P51428 [†]		
6	Impeller Washer	P46384	P46384	P46385		
12	Volute Coverplate	P51564	P51564	P51564		
12	Volute Coverplate - "F" Construction	P51568	P51568	NONE		
4	Seal Kit Buna/Carbon/Ceramic	186828	186828	P63309+		
4	Seal Kit EPR/Carbon/Tungsten Carbide	186836	186836	NONE		
2	Bearing Frame Assembly Consisting of:	185320	185320	NONE		
17	Bearing Frame	P51572	P51572	P51572		
19	Shaft	P79011	P79011	P79011		
20	Bearing Cap - Pump End	P51582	P51582	P51582		
	Bearing Cap - Coupler End	P51584	P51584	P51584		
23	Bearing Locknut	J92388	J92388	J92388		
24	Bearing Lockwasher	J92389	J92389	J92389		
25	Ball Bearing - Pump End	J92413	J92413	J92413		
26	Ball Bearing - Coupler End	J92414	J92414	J92414		
22	Shaft Sleeve	P78741	P78741	P78742		
7	Impeller Capscrew	J92019	J92019	J92019		
9	Impeller Lockwasher	J23876	J23876	J23876		
10	Impeller Key	J93448	J93448	J93448		
14	Coupler Key	J93448	J93448	J93448		
21	Bearing Cap Capscrew (8)	DJ0071	DJ0071	DJ0071		
13	Water Slinger	P81917	P81917	P81917		

* Includes wear ring.

— Factory recommended spare parts.

^ΔExtra Large Bearing Frame not used on current production pumps. Only pumps prior to date code D69.

+ Seal only.

Seat Insert - P63332

[†]Consult Factory for Delivery.

6G

ITEM NO.	DESCRIPTION	PUMP CONSTRUCTION			
		BRONZE FITTED	BRONZE FITTED WITH WEAR RING	ALL IRON	ALL BRONZE
Parts Common To Both Size Pumps					
8	Volute	P44081	P44095*	P44081	
	Wear Ring	—	P49138	—	
	Volute Drain Plug (4)	P39040	P39040	P39050	
3	Volute Capscrew (16)	P13780	P13780	P13780	
11	Volute Gasket	P80767	P80767	P80767	
15	Coupler	See Coupler Selection Table, Page 48			
	For ANSI/OSHA Coupling Guard & Support Bracket Kit Selection, See Chart on Page 49				
Parts for Pumps With 1⁹/₁₆" Shaft At Seal					
5	Impeller (State Diameter) 12 ⁹ / ₁₆ "-13 ¹ / ₂ "	P78535	P78535	P77532	
5	Impeller (State Diameter) 12 ¹ / ₂ " or Less	P77513	P77513	P77532	
6	Impeller Washer	P51230	P51230	P46382	
12	Volute Coverplate	P51561	P51561	P51561	
12	Volute Coverplate - "F" Construction	P51567	P51567	NONE	
4	Seal Kit Buna/Carbon/Ceramic	186543	186543	186544	
4	Seal Kit EPR/Carbon/Tungsten Carbide	185225	185225	NONE	
2	Bearing Frame Assembly Consisting of:	185014	185014	185015	
17	Bearing Frame	P77161	P77161	P77161	
19	Shaft	P79027	P79027	P79027	
20	Bearing Cap	P75612	P75612	P75612	
25	Ball Bearing - Pump End	186571	186571	186571	
26	Ball Bearing - Coupler End	186572	186572	186572	
22	Shaft Sleeve	185142	185142	185143	
7	Impeller Capscrew	P13800	P13800	P13800	
9	Impeller Lockwasher	J23875	J23875	J23875	
10	Impeller (Straight) Aug. 1989 (H98) & After	P49372	P49372	P49372	
10	Impeller Key (Woodruff) July 1989 (G98) & Before	H32700	H32700	H32700	
14	Coupler Key (Straight) Aug. 1989 (H98) & After	P49373	P49373	P49373	
14	Coupler Key (Woodruff) July 1989 (G98) & Before	H32600	H32600	H32600	
18	Spring Washer	J92560	J92560	J92560	
21	Bearing Cap Capscrew (4)	DJ0066	DJ0066	DJ0066	
13	Water Slinger	P53720	P53720	P53720	
Parts for Pumps With 2³/₈" Shaft At Seal					
5	Impeller (State Diameter) 13 ¹ / ₂ " Full Dia.	P51432	P51432	P51434 [†]	
6	Impeller Washer	P46384	P46384	P46385	
12	Volute Coverplate	P51564	P51564	P51564	
12	Volute Coverplate - "F" Construction	P51568	P51568	NONE	
4	Seal Kit Buna/Carbon/Ceramic	186828	186828	P63309+	
4	Seal Kit EPR/Carbon/Tungsten Carbide	186836	186836	NONE	
2	Bearing Frame Assembly Consisting of:	185320	185320	NONE	
17	Bearing Frame	P51572	P51572	P51572	
19	Shaft	P79011	P79011	P79011	
20	Bearing Cap - Pump End	P51582	P51582	P51582	
	Bearing Cap - Coupler End	P51584	P51584	P51584	
23	Bearing Locknut	J92388	J92388	J92388	
24	Bearing Lockwasher	J92389	J92389	J92389	
25	Ball Bearing - Pump End	J92413	J92413	J92413	
26	Ball Bearing - Coupler End	J92414	J92414	J92414	
22	Shaft Sleeve	P78741	P78741	P78742	
7	Impeller Capscrew	J92019	J92019	J92019	
9	Impeller Lockwasher	J23876	J23876	J23876	
14	Coupler Key	J93448	J93448	J93448	
10	Impeller Key	J93448	J93448	J93448	
21	Bearing Cap Capscrew (8)	DJ0071	DJ0071	DJ0071	
13	Water Slinger	P81917	P81917	P81917	

Not Offered

* Includes wear ring.

— Factory recommended spare parts.

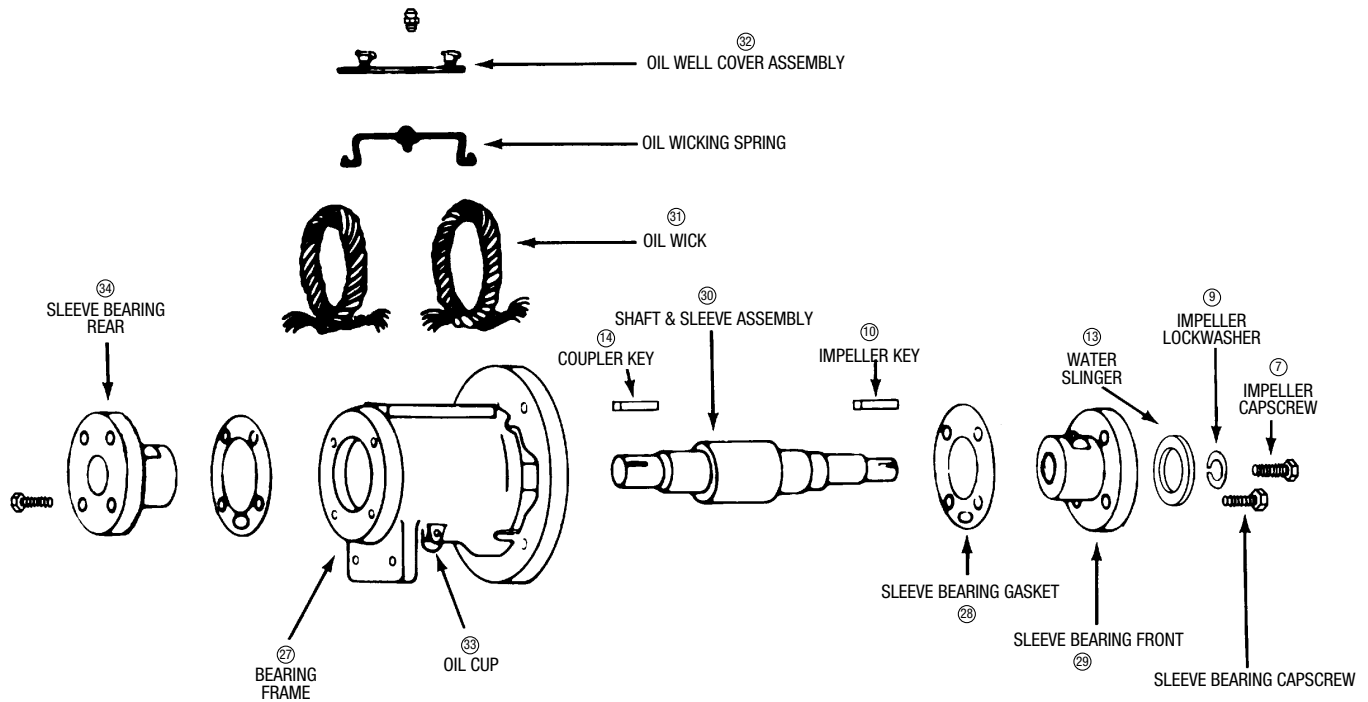
[†]Consult Factory for Delivery.

+ Seal only.

Seat Insert - P63332

Seat Cup Seat - P63324

Sleeve Bearing Frame Assembly for Pumps with 1 1/4" Shaft at Seal



ITEM NO.	DESCRIPTION	PART NO.
2	Bearing Frame Assembly	186660
	Consisting of:	
27	Bearing Frame	P11450
30	Shaft & Sleeve	186628
29	Sleeve Bearing (Front)	186659
34	Sleeve Bearing (Rear)	186658
28	Sleeve Bearing Gasket (Included with Bearings)	P11390
7	Impeller Capscrew	P52350
9	Impeller Lockwasher	J23874
10	Impeller Key (Straight) Aug. 1989 (H98) & After	P49369
	Impeller Key (Woodruff) July 1989 (G98) & Before	H32500
14	Coupler Key (Straight) Aug. 1989 (G98) & After	P49373
	Coupler Key (Woodruff) July 1989 (G98) & Before	H32600
33	Oil Cup	P14010
	Oil Well Cover Before June 1965 (EE)	N/A
32	Oil Well Cover After June 1965 (FE)	P14051
31	Oil Wick Set (2 Sets Required)	118395
13	Water Slinger	P53550

— Factory recommended spare parts.

Coupler Selection Table

PUMP SIZE	FRAME SIZE	SHAFT SPACE	H.P.	MOTOR SHAFT SIZE	COUPLER 15	SLEEVE FOR WOOD'S COUPLER	SPIDER FOR LOVEJOY COUPLER
FOR PUMPS WITH SMALL BEARING FRAME 1" SHAFT AT COUPLER	56	1 ¹ / ₄ "	1/2-3/4	5/8"	186868	P78804(4J)	P45540
	143T-145T	3/4"	1 - 1 ¹ / ₂ - 2 - 3	7/8"	186869	P78804(4J)	P45540
	182T-184T	3/4"	2 - 3 - 5 - 7 ¹ / ₂	1 ¹ / ₈ "	186870	P78729(5J)	P45540
	213T	2 ¹ / ₂ "	5 - 7 ¹ / ₂ - 10	1 ³ / ₈ "	186871	P78791(6J)	P45532
	215T	2 ¹ / ₂ "	7 ¹ / ₂ - 10 - 15	1 ³ / ₈ "	186871	P78791(6J)	P45532
	254T	2 ¹ / ₂ "	15 - 20	1 ⁵ / ₈ "	186873	P78792(7S)	P45532
	256T	2 ¹ / ₂ "	20 - 25	1 ⁵ / ₈ "	P63240	P78794(8S)	P45532
FOR PUMPS WITH LARGE BEARING FRAME 1 ¹ / ₄ " SHAFT AT COUPLER	213T	3 ³ / ₄ "	7 ¹ / ₂	1 ³ / ₈ "	186872	P78791(6J)	P45532
	215T	3 ³ / ₄ "	10	1 ³ / ₈ "	186872	P78791(6J)	P45532
	254T	3 ³ / ₄ "	15	1 ⁵ / ₈ "	P63239	P78792(7S)	P45532
	256T	3 ³ / ₄ "	20	1 ⁵ / ₈ "	186874	P78794(8S)	—
	284T	3 ³ / ₄ "	25	1 ⁷ / ₈ "	P63242	P78794(8S)	—
	284T	4"	25	1 ⁷ / ₈ "	P63243	P78794(8S)	—
	286T	3 ³ / ₄ "	30	1 ⁷ / ₈ "	P63244	P78796(9S)	—
	286T	4"	30	1 ⁷ / ₈ "	P63244	P78796(9S)	—
	284TS	3 ³ / ₄ "	30	1 ⁵ / ₈ "	P63239	P78792(7S)	P45532
	286TS	3 ³ / ₄ "	40	1 ⁵ / ₈ "	186874	P78794(8S)	P45532
	324T	4"	40	2 ¹ / ₈ "	P63245	P78796(9S)	—
	326T	4"	50	2 ¹ / ₈ "	P63247	P78798(10S)	—
	324TS	3 ³ / ₄ "	50	1 ⁷ / ₈ "	P63242	P78794(8S)	—
	326TS	3 ³ / ₄ "	60	1 ⁷ / ₈ "	P63244	P78796(9S)	—
	364T	4"	60	2 ³ / ₈ "	P63248	P78798(10S)	—
	364TS	4"	60-75	1 ⁷ / ₈ "	P63244	P78796(9S)	—
365T	4"	75	2 ³ / ₈ "	P63250	P78802(11S)	—	
365TS	4"	75-100	1 ⁷ / ₈ "	P63246	P78798(10S)	—	
404TS	4"	100-125	2 ¹ / ₈ "	P63253	P78802(11S)	—	
FOR 5G AND 6G PUMPS WITH EXTRA LARGE BEARING FRAME 1 ⁷ / ₈ " SHAFT AT COUPLER**	324T	5 ³ / ₈ "	50	2 ¹ / ₈ "	P82161 P82162	P78796	—
	326T	5 ³ / ₈ "	50	2 ¹ / ₈ "	P82096 P82097	P82098	—
	364TS	5 ³ / ₈ "	60	1 ⁷ / ₈ "	P82096 2 REQ'D	P82098	—
	365TS	5 ³ / ₈ "	75	1 ⁷ / ₈ "	P82158 2 REQ'D	P82142	—
	404TS	5 ³ / ₈ "	100	2 ¹ / ₈ "	P82158 P82141	P82142	—
	405TS	5 ³ / ₈ "	125	2 ¹ / ₈ "	P82161 P82162	P82144	—

**SPACER TYPE COUPLER USED ON THESE PUMPS. TO OBTAIN COMPLETE COUPLER, SPECIFY BOTH HALVES AND SLEEVE.

— Factory recommended spare parts.

ANSI/OSHA Guard & Support Bracket Kit Selection Chart for Standard EPDM Coupling

Coupler Guard Kit Part Numbers: 1=186884 2=186885 3=186887 4=186888
5=186889 6=185327

PUMP SIZE	BEARING FRAME	MOTOR FRAME / GUARD KIT NUMBER																SUPPORT BRACKET KIT							
		56	143T	145T	182T	184T	213T	215T	254T	256T	284T	284TS	286T	286TS	324T	324TS	326T		326TS	364T	364TS	365T	365TS	404TS	405TS
1½AB & 1½AC	SMALL	1	1	1	1	1	1	1	2																186905
																									186906
1½AB & 1½AC	SMALL	1	1	1	1	1	1	1	2																186905
																									186906
2AB & 2AC	SMALL	1	1	1	1	1	1	1	2	2															186905
																									186906
2½A & 2½AB	SMALL	1	1	1	1	1	1	1	2	2															186905
																									186906
3AB & 3AC	SMALL	1	1	1	1	1			2	2															186905
	LARGE						2	2		2	2														186904
												2	2												186905
														2	2										186906
4AB & 4AC	SMALL	1	1	1	1	1																			186906
	LARGE						2	2	2					2	2										186905
																									186906
5A	SMALL				1	1	1	1																	186908
	LARGE								2	2		2	2		2	2									186907
1½BB & 1½BC	SMALL		1	1	1	1																			186906
	LARGE						2	2	2	2															186905
													2	2											186906
1½BB & 1½BC	SMALL		1	1	1	1	1																		186906
	LARGE						2	2	2						2	2									186905
													2	2											186906
2BB & 2BC	SMALL		1	1	1	1	1																		186906
	LARGE						2	2	2						2	2									186905
																									186906
2½B & 2½BB	SMALL			1	1	1	1	1																	186906
	LARGE								2	2					2	2									186905
																									186906
3BB & 3BC	SMALL				1	1	1	1	2																186906
	LARGE														2	2									186905
																									186906
4BB & 4BC	SMALL					1	1	2																	186908
	LARGE								2	2		2	2		2	2									186907
																									186910
5BB & 5BC	SMALL					1	1	2																	186911
	LARGE									2	2		2												186908
6BB & 6BC	LARGE						2	2	2	2		2		2	2										186908
	SMALL				1	1	1	1	2																186908
2E	SMALL																								186907
	LARGE													2	2		2								186910
																									186908
3E	SMALL					1	1	1	2																186908
	LARGE									2						2	2								186907
																									186910
4E	SMALL					1	1	2																	186908
	LARGE									2	2			2	2		2								186907
																									186910
5E	LARGE						2	2	2	2		2		2	2										186908
6E	LARGE									2	2	2		2	2		4								186910
2CB & 2G	LARGE						2	2	2	2		2													186907
3CB & 3G	LARGE						2	2	2	2		2		2											186907
4CB, 4G & 4GB	LARGE						2	2	2	2		2		2	2										186908
5CB & 5G	LARGE									2	2		2	2		2		4				3			186910
	X-LARGE																4		4			4			186913
6CB & 6G	LARGE									2	2		2	2		2		4				3		6	186910
	X-LARGE (a)																4		4			4	4	4	186913
	X-LARGE (b)																4		4			6	6	5	186913

(a) Standard Hytre Coupler
(b) EPDM Sleeve Option

HOW TO USE THIS CHART TO SELECT A COUPLER GUARD AND BRACKET KIT:

Example (shaded gray above): Pump Model = 4AC w/ a 20 HP, 208-230/460 Volt, 3 PH, 3600 RPM, 254T Fr. motor. The Coupler Guard kit is 186885 and the support bracket kit is 186905.



BELL & GOSSETT PRODUCTS

Stocked ... Sold ... Serviced EVERYWHERE!

FOR MORE DETAILS CALL YOUR LOCAL BELL & GOSSETT REPRESENTATIVE

ALABAMA

Mangham & Associates, Inc.
Irontdale (Birmingham)
Phone: 205/956-2362

ALASKA

Columbia Hydronics Co.
Anchorage
Phone: 907/563-3327
907/563-3337

ARIZONA

J & B Sales Company
Phoenix
Phone: 602/258-1545

ARKANSAS

Johnson & Scott, Inc.
Little Rock
Phone: 501/803-9520
Hydronic Technology Inc.
Shreveport, LA
Phone: 318/797-1500
Boone & Boone Sales Co., Inc.
Tulsa, OK
Phone: 918/664-9756

CALIFORNIA

California Hydronics Corp.
Hayward (San Francisco)
Phone: 510/293-1993
Rocklin (Sacramento)
Phone: 510/293-1993
San Jose
Phone: 408/295-5874
Dawson Co.
Altadena (Los Angeles)
Phone: 626/797-9710
San Diego
Phone: 858/541-7867

COLORADO

McNevin Company
Aurora (Denver)
Phone: 303/322-0165

CONNECTICUT

F.I.A., Inc.
Middleton
Phone: 781-938-8900
Woburn (Boston) MA
Phone: 781/938-8900

DELAWARE

R. D. Bitzer Co., Inc.
Bensalem, PA
Phone: 215/604-6600
Cummins-Wagner Co., Inc.
Annapolis Junction, MD
Phone: 800/966-1277
301/490-9007

FLORIDA

George A. Israel Jr., Inc.
Jacksonville
Phone: 904/355-7867
Miami
Phone: 305/592-5343
Orlando
Phone: 407/423-5078
Tampa
Phone: 813/839-2161
79 Holly Circle
Tequesta, FL 33469
Phone: 561/248-3556

GEORGIA

James M. Pleasants Co., Inc.
Duluth
Phone: 678/507-1091
Norcross
Phone: 800/522-1861
678/507-1091
George A. Israel Jr., Inc.
Jacksonville, FL
Phone: 904/355-7867

HAWAII

CBC Inc.
Kailua
Phone: 808/263-8838

IDAHO

Gritton & Associates, Inc.
Salt Lake City, UT
Phone: 801/486-0767
Columbia Hydronics Co.
Boise
Phone: 208/345-2744

ILLINOIS

Bornquist, Inc.
Chicago
Phone: 773/774-2800
Blackmore & Glunt, Inc.
Maryland Hgts. (St. Louis) MO
Phone: 314/878-4313
Sandberg Co., Inc.
East Moline
Phone: 309/796-2371
Hydronic & Steam Equip. Co., Inc.
Indianapolis, IN
Phone: 800/669-4926
317/577-8326

INDIANA

Hydronic & Steam Equip. Co., Inc.
Indianapolis
Phone: 800/669-4926
317/577-8326
Evansville
Phone: 800/473-2753
812/473-0330
Ft. Wayne
Phone: 260/489-5785
South Bend
Phone: 800/932-6490
574/234-6005

Bornquist, Inc.

Chicago, IL
Phone: 773/774-2800
Blackmore & Glunt, Inc.
Cincinnati, OH
Phone: 513/489-5225

IOWA

Products, Inc.
Des Moines
Phone: 515/288-5738
Sandberg Co., Inc.
East Moline, IL
Phone: 309/796-2371
Verne Simmonds Co.
Omaha, NE
Phone: 402/592-3131

KANSAS

Blackmore & Glunt, Inc.
Lenexa (Kansas City)
Phone: 913/469-5715

KENTUCKY

Blackmore & Glunt, Inc.
Cincinnati, OH
Phone: 513/489-5225
Hydronic & Steam Equip. Co., Inc.
Evansville, IN
Phone: 800/473-2753
812/473-0330
Johnson & Scott, Inc.
Nashville, TN
Phone: 615/254-5454

LOUISIANA

Hydronic Technology Inc.
New Orleans
Phone: 800/365-6746
504/827-1163
Shreveport
Phone: 800/673-5737
318/797-1500

MAINE

F.I.A., Inc.
Woburn (Boston) MA
Phone: 781/938-8900

MARYLAND

Cummins-Wagner Co., Inc.
Annapolis Junction
Phone: 800/966-1277
301/490-9007
Thermoflo Equipment Co., Inc.
Pittsburgh, PA
Phone: 412/366-2012

MASSACHUSETTS

F.I.A., Inc.
Woburn (Boston)
Phone: 781/938-8900
MICHIGAN
R. L. Deppmann Co.
Southfield (Detroit)
Phone: 248/354-3710
Grand Rapids
Phone: 616/656-0821
Bridgeport
Phone: 989/652-3049
Hydro-Flo Products, Inc.
Brookfield (Milwaukee), WI
Phone: 262/781-2810

MINNESOTA

Mulcahy Company
Eagan
Phone: 651/686-8580

MISSISSIPPI

Hydronic Technology Inc.
New Orleans, LA
Phone: 800/365-6746
504/827-1163
Johnson & Scott, Inc.
Little Rock, AR
Phone: 501/803-9520

MISSOURI

Blackmore & Glunt, Inc.
Lenexa (Kansas City) KS
Phone: 913/469-5715
Maryland Hgts. (St. Louis)
Phone: 314/878-4313

MONTANA

Columbia Hydronics Co.
Spokane, WA
Phone: 509/242-1118

NEBRASKA

Verne Simmonds Co.
Omaha
Phone: 402/592-3131

NEVADA

California Hydronics Corp.
Rocklin, CA (Northwest NV)
Phone: 510/293-1993
Gritton & Associates, Inc.
Las Vegas, NV
Phone: 801/486-0767

NEW HAMPSHIRE

F.I.A., Inc.
Woburn (Boston) MA
Phone: 781/938-8900

NEW JERSEY

Wallace-Eannace Assoc., Inc.
Franklin Lakes
Phone: 201/891-9550
R. D. Bitzer Co., Inc.
Bensalem, PA
Phone: 215/604-6600

NEW MEXICO

Boyd Engineering Co., Inc.
Albuquerque
Phone: 505/275-1250

NEW YORK

Wallace-Eannace Assoc., Inc.
Plainville (NYC)
Phone: 516/454-9300
Frank P. Langley Co., Inc.
E. Rochester
Phone: 585/248-5010
Amherst (Buffalo)
Phone: 716/691-7575
Johnson City
Phone: 607/766-9950
Albany
Phone: 518/459-1060
Syracuse Thermal Products, Inc.
East Syracuse
Phone: 315/437-7321

NORTH CAROLINA

James M. Pleasants Co., Inc.
Greensboro
Phone: 800/365-9010
336/378-9911
Charlotte
Phone: 704/545-0145
Raleigh
Phone: 919/845-1960
Wilmington
Phone: 910/794-5447

NORTH DAKOTA

Mulcahy Company
Eagan, MN
Phone: 651/686-8580

OHIO

Blackmore & Glunt, Inc.
Cincinnati
Phone: 513/489-5225
R. L. Deppmann Co.
Richfield
Phone: 330/468-1102

OHIO (Cont'd.)

Steffens-Shultz, Inc.
Columbus
Phone: 614/274-5515
Dayton, Ohio
Phone: 937/454-4980
Thermoflo Equipment Co., Inc.
Pittsburgh, PA
Phone: 412/366-2012

OKLAHOMA

Boone & Boone Sales Co., Inc.
Oklahoma City
Phone: 405/525-7475
Tulsa
Phone: 918/664-9756

OREGON

Columbia Hydronics Co.
Vancouver, WA
Phone: 360/883-2600

PENNSYLVANIA

R. D. Bitzer Co., Inc.
Bensalem
Phone: 215/604-6600
Thermoflo Equipment Co., Inc.
Pittsburgh
Phone: 412/366-2012

Frank P. Langley Co., Inc.

Amherst (Buffalo) NY
Phone: 716/691-7575

RHODE ISLAND

F.I.A., Inc.
Woburn (Boston) MA
Phone: 781/938-8900

SOUTH CAROLINA

James M. Pleasants Co., Inc.
Greensboro, NC
Phone: 800/365-9010
336/378-9911
Columbia
Phone: 803/798-1405
Greenville
Phone: 864/232-0200

SOUTH DAKOTA

Mulcahy Company
Eagan, MN
Phone: 651/686-8580
Verne Simmonds Co.
Omaha, NE
Phone: 402/592-3131

TENNESSEE

Johnson & Scott, Inc.
Nashville
Phone: 615/254-5454
Cordova (Memphis)
Phone: 901/388-2919
James M. Pleasants Co., Inc.
Greensboro, NC
Phone: 800/365-9010
336/378-9911
Knoxville
Phone: 865/584-5054

TEXAS

Boyd Engineering Co., Inc.
Albuquerque, NM
Phone: 505/275-1250
Oslin Nation Co.
Dallas
Phone: 214/631-5650
Ft. Worth
Phone: 817/590-2500

TEXAS (Cont'd.)

Oslin Nation Co. (Cont'd)
Houston
Phone: 713/699-3500
San Antonio
Phone: 800/243-7756
210/342-5544

UTAH

Gritton & Associates, Inc.
Salt Lake City
Phone: 801/486-0767

VERMONT

F.I.A., Inc.
Woburn (Boston) MA
Phone: 781/938-8900

VIRGINIA

TLA, Inc.
Richmond
Phone: 804/321-4444
Virginia Beach
Phone: 757/497-3567
Cummins-Wagner Co., Inc.
Annapolis Junction, MD
Phone: 800/966-1277
301/490-9007

WASHINGTON

Columbia Hydronics Co.
Renton
Phone: 425/271-5870
Spokane
Phone: 509/242-1118
Vancouver
Phone: 360/883-2600

WASHINGTON, DC

Cummins-Wagner Co., Inc.
Annapolis Junction, MD
Phone: 800/966-1277
301/490-9007

WEST VIRGINIA

Blackmore & Glunt, Inc.
Cincinnati, OH
Phone: 513/489-5225

TLA, Inc.

Richmond, VA
Phone: 804/321-4444
Thermoflo Equipment Co., Inc.
Pittsburgh, PA
Phone: 412/366-2012

WISCONSIN

Hydro-Flo Products, Inc.
Brookfield (Milwaukee)
Phone: 262/781-2810
Mulcahy Company
Eagan, MN
Phone: 651/686-8580

WYOMING

Gritton & Associates, Inc.
Salt Lake City, UT
Phone: 801/486-0767

J. E. McNevin Co.

Aurora (Denver), CO
Phone: 303/322-0165

INTERNATIONAL:

Visit our website or contact our office at the address shown below.

© COPYRIGHT 2008 BY
ITT CORPORATION
PRINTED IN U.S.A. 3-08

THE ITT ENGINEERED BLOCKS SYMBOL AND
ENGINEERED FOR LIFE ARE REGISTERED
TRADEMARKS OF ITT CORPORATION

ITT

8200 N. Austin Avenue
Morton Grove, IL 60053
Phone: (847) 966-3700
Fax: (847) 966-9052
www.bellgossett.com



CANADA

ITT R&CW Canada
55 Royal Road
Guelph, Ontario,
N1H 1T1, Canada
Phone: (519) 821-1900