



Flow Switches – Liquid

Series FS4-3T

General Purpose Liquid Flow Switches

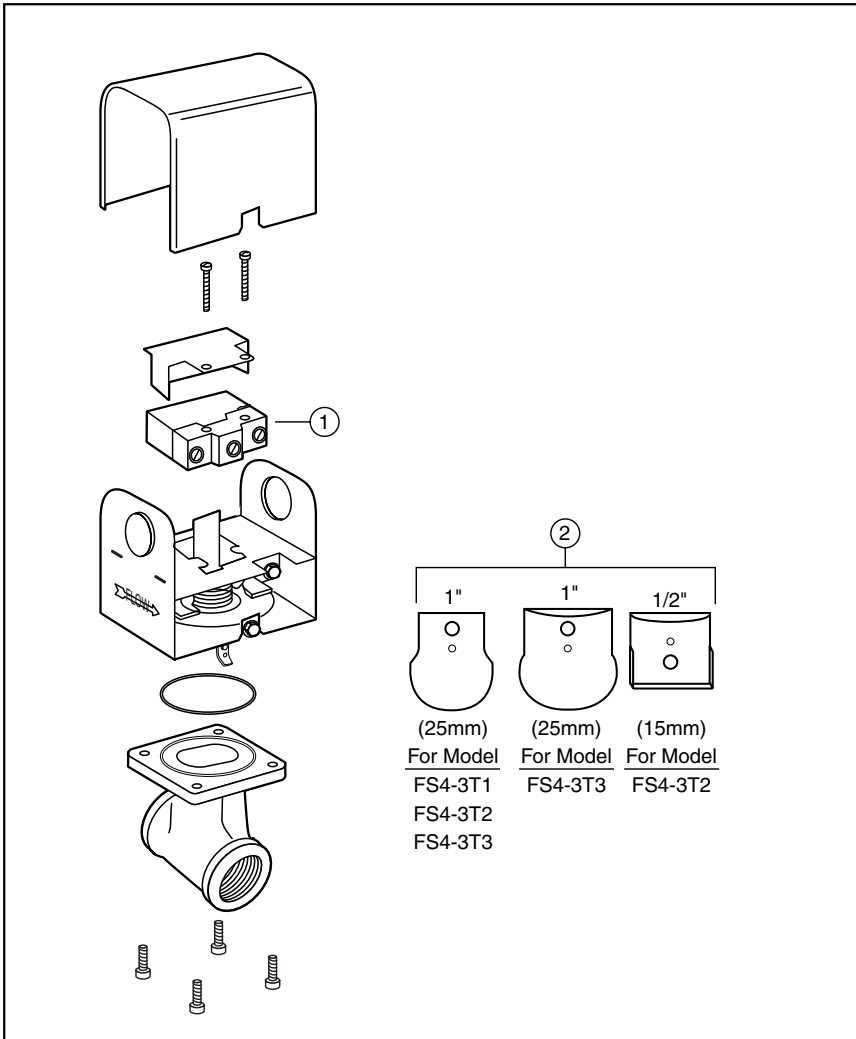
Components

Item Number	Part Number	Model Number	Description	Weight lbs. (kg)
1	305200	FS4-33	SPDT switch	0.3 (.14)
2	336900	FS4-3T-25	Paddle kit (includes O-ring)	0.1 (.05)



Series FS4-3T

Note: Paddle kits include screws and washers.



FLOW SWITCHES