

PP901A and B Pressure Reducing Valves

SPECIFICATION DATA



FEATURES

- Includes separate safety relief valve which can be adjusted to the desired safe operating pressure of the downstream line
- Gage tapping provided to measure the regulated pressure
- PP901B pressure change accomplished manually or automatically by electric or pneumatic switches
- PP901B provides adjustable stops to give two desired settings

GENERAL

The PP901A and B Pressure Reducing Valves are used to control the pressure of the air delivered to pneumatic control systems.

The PP901A is used in single-pressure systems, while the PP901B is designed for use in two-pressure systems requiring two independent regulated air pressure settings.

DESCRIPTION

The PP901A and B Pressure Reducing Valves are used to control the pressure of the air delivered to pneumatic control systems.

The PP901A is used in single-pressure systems, while the PP901B is designed for use in two-pressure systems requiring two independent regulated air pressure settings.

Switchover:

Two-position pilot switch actuated electrically or pneumatically.
Pressure relief feature exhausts pressure difference.

Maximum Airflow:

10 scfm (0.05 m/s) at 18 psi (124 kPa) outlet

Connections:

Inlet and out air: 1/4 in. NPT (female)
Air gage: 1/8 in. NPT (female). 1/8 in. NPT pilot PP901B

Mounting:

Bracket furnished

Finish:

Anodized aluminum

Accessories:

RP418A Electric-Pneumatic Relay plus Mounting Bracket Kit 14003638 for PP901B if desired

14004205-001 Filter Station

NOTE: A coalescing type filter is required upstream of the pressure reducing valve.

SPECIFICATIONS

Models:

- PP901A: For use in single pressure systems
- PP901B: For use in two-pressure systems

Inlet Pressure:

45 to 150 psi (310 to 1034 kPa)

Outlet (Regulated) Pressure:

0 to 25 psi (0 to 172 kPa); factory set at 0 psi

Differential Pressure (PP901B):

Adjustable 0 to 5 psi (0 to 35 kPa); factory set at 4.5 psi (31 kPa)

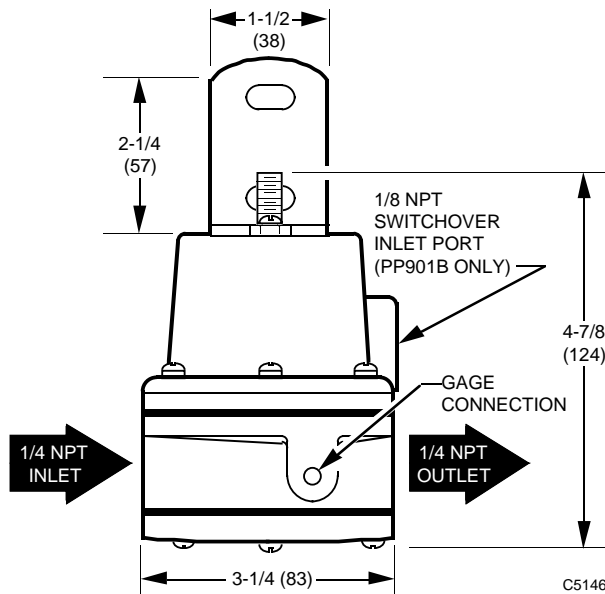
Safety Pressure Relief:

Adjustable 12 to 25 psi (83 to 172 kPa); factory set at 23.5 psi (162 kPa)

Relief Capacity:

5 scfm (0.03 m/s) at 20 psi (138 kPa) outlet

Dimensions In Inches (Millimeters):



Home and Building Control

Honeywell Inc.
Honeywell Plaza
P.O. Box 524
Minneapolis MN 55408-0524

Honeywell Latin American Division

Miami Lakes Headquarters
14505 Commerce Way Suite 500
Miami Lakes FL 33016

Home and Building Control

Honeywell Limited-Honeywell Limitée
740 Ellesmere Road
Scarborough Ontario

Honeywell Europe S.A.

3 Avenue du Bourget
B-1140 Brussels Belgium

Honeywell Asia Pacific Inc.

Room 3213-3225
Sun Hung kai Centre
No. 30 Harbour Road
Wanchai
Hong Kong

Honeywell

Helping You Control Your World

