

QPM21... Series Duct Air Quality Sensors

Description

The QPM21... series duct air quality sensors optimize room comfort by enabling demand-controlled ventilation. The sensors can acquire: CO₂ and volatile organic compound (VOC) concentrations, relative humidity, and temperature. Models are available for CO₂, CO₂/VOC, CO₂/T, and CO₂/T/RH.

The sensor evaluates the CO₂/VOC concentrations and transforms it to a 0 to 10 Vdc linear proportional output signal.

For models with humidity, a capacitive humidity sensing element changes capacitance as a function of the relative humidity. An electronic measuring circuit converts the humidity signal to a continuous 0 to 10 Vdc signal that corresponds to a relative humidity range of 0 to 100%. For models with temperature, the sensor acquires room temperature with a sensing element that changes electrical resistance as a function of the temperature. The resistance is converted to an active 0 to 10 Vdc output signal that corresponds to a temperature range of 32°F to 122°F (0°C to 50°C) or -31°F to 95°F (-35°C to 35°C).

The duct-mounted sensors are suited for use with all systems and devices capable of acquiring and handling a 0 to 10 Vdc output signal.

Features

- Multisensor for CO₂/VOC, temperature, and humidity-temperature.
- Maintenance-free infrared CO₂ sensing element, VOC sensing element based on a heated tin dioxide semiconductor.
- 24 Vac operating voltage, 0 to 10 Vdc output signals.



QPM2100/2102... Series Duct Air Quality Sensor.



QPM2160/2162... Series Duct Air Quality Sensor.

General Specifications

Power Supply:

Operating voltage (SELV): 24 Vac \pm 20% Frequency:
50/60 Hz
Power consumption: \leq 2 VA

Electrical:

Screw terminals: 2 \times 16 AWG or 1 \times 14 AWG

Environmental:

Temperature
Operating: 23°F to 113°F (-5°C to 45°C)
Storage: -13°F to 158°F (-25°C to 70°C)
Humidity:
Operating: 0 to 95% rh (noncondensing)
Storage: <95% rh

Physical:

Weight in lb (kg):
QPM2100/2102: 0.54 lb (0.247 kg)
QPM2160/2162: 0.56 lb (0.252 kg)

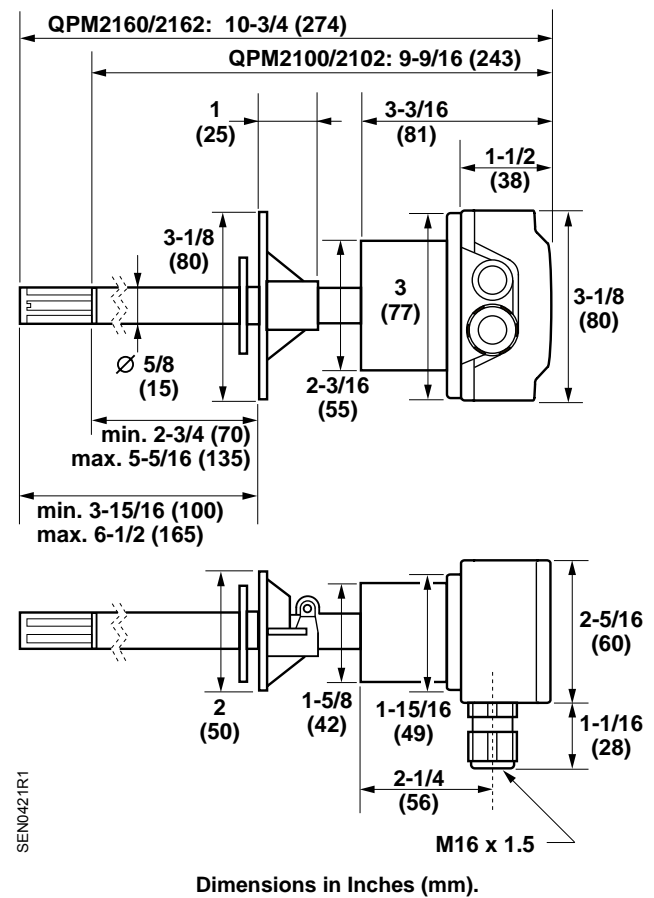
Product Numbers and Specifications

Product Number	QPM2100	QPM2102	QPM2160	QPM2162
Specification				
CO ₂ measuring range: 0 to 2000 ppm Accuracy: \leq ±50 ppm +2% of measured value Output signal: 0 to 10 Vdc, linear Recalibration free: 8 years	•	•	•	•
VOC sensitivity: Low (R1), Normal (R2), High (R3)		•		
Temperature range of use: -31°F to 113°F (-35°C to 45°C) Temperature measuring range (slope and intercept): R2 and R3: 23°F to 113°F (-5°C to 45°C) R1: -31°F to 95°F (-35°C to 35°C) Temperature measuring element: NTC 10K Ω			•	•
Measuring accuracy in the range of: -31°F to 59°F (-35°C to 15°C): \pm 1K 59°F to 95°F (15°C to 35°C): \pm 0.8K 95°F to 122°F (35°C to 50°C): \pm 1K			•	•
Humidity range of use: 0 to 95% rh (noncondensing) Humidity measuring range (slope and intercept): 0 to 100% rh Measuring accuracy at 73°F (23°C), 24 Vac: 0 to 30% rh: \pm 5% rh 30 to 70% rh: \pm 3% rh 70 to 95% rh: \pm 5% rh				•

Ordering Information

CO2 DUCT SENSOR PART NUMBER KEY		
TYPE	SENSOR	Q
MEASURING FAMILY	CO2/VOC	P
APPLICATION/LOCATION	DUCT	M
SENSOR TYPE	CO2	2
HOUSING TYPE	DUCT HOUSING	1
OUTPUTS (0 TO 10 VOLT)	CO2 ONLY	00
	CO2 AND VOC	02
	CO2 AND TEMP	60
	CO2, TEMP AND RH	62

Dimensions



Information in this document is based on specifications believed correct at the time of publication. The right is reserved to make changes as design improvements are introduced. Products or company names mentioned herein may be the trademarks of their respective owners.
© 2007 Siemens Building Technologies, Inc.