

BALDOR® • ***RELIANCE***

Product Information Packet

RL1301A277

.33HP/1725RPM/1PH/OPEN/NEMA 56

Part Detail							
Revision:	S	Status:	PRD/A	Change #:		Proprietary:	No
Type:	AC	Prod. Type:	3414L	Elec. Spec:	34WGW220	CD Diagram:	CD0085
Enclosure:	OPEN	Mfg Plant:		Mech. Spec:	34K018	Layout:	34LYK018
Frame:	56	Mounting:	F1	Poles:	04	Created Date:	
Base:	RS	Rotation:	RS	Insulation:	B	Eff. Date:	04-13-2016
Leads:	5#18					Replaced By:	
Literature:		Elec. Diagram:					

Nameplate NP1257L	
CAT.NO.	RL1301A277
SPEC.	34K18W220
HP	.33
VOLTS	277
AMP	2.5
RPM	1725
FRAME	56
HZ	60
PH	1
SER.F.	1.35
CODE	L
DES	N
CL	B
NEMA-NOM-EFF	60
PF	60
RATING	40C AMB-CONT
CC	USABLE AT 208V
DE	6203
ODE	6203
ENCL	OPEN
SN	
	SFA 2.8

Parts List		
Part Number	Description	Quantity
SA008111	SA 34K18W220	1.000 EA
RA004558	RA 34K18W220	1.000 EA
34CB4501SP	TERMINAL BOX LID, STAMPED X (PLATED)	1.000 EA
51XW0832A07	8-32 X .44, TAPTITE II, HEX WSHR SLTD SE	2.000 EA
11XT0832G06	8-32 X 3/8 TY 23 TAPPING	1.000 EA
LD5000A52	LEAD ASSY W/INTERNAL STAR RING TERMINALS	1.000 EA
11XT1032A06	10-32 X 3/8 HX WSHR HD SLTD TYPE 23	2.000 EA
51XW0832A07	8-32 X .44, TAPTITE II, HEX WSHR SLTD SE	3.000 EA
34EP3202A01SP	FR ENDPLATE, MACH	1.000 EA
RM1000A03	CUSHION RING, MDL 17-33-34	1.000 EA
HA6004A01A	CLAMP CUSHION RING ASSY	1.000 EA
WD4100A01	DP-875 HEYCO PLUG OR 62MP0875 MICRO PLAS	1.000 EA
RM1000A03	CUSHION RING, MDL 17-33-34	1.000 EA
HA6004A01A	CLAMP CUSHION RING ASSY	1.000 EA
NS2500A01	INSULATOR, AUTO THER PROT	1.000 EA
34CB4800SP	CAPACITOR COVER, STAMPED PRIMED	1.000 EA
51XB1016A05	10-16X5/16HX WA SL SR TYB (F/S)	2.000 EA
WD1000A16	2-520128-2 AMP FLAG TERMINAL(4M/RL)	6.000 EA
HW5100A03SP	WAVY WASHER (W1543-017)	1.000 EA
34EP3203A01	PU ENDPLATE, MACH	1.000 EA
XY1032A02	10-32 HEX NUT DIRECTIONAL SERRATION	4.000 EA
HW2501D13	KEY, 3/16 SQ X 1.375	1.000 EA
HA7000A04	KEY RETAINER 0.625 DIA SHAFTS	1.000 EA
MG1000G27	MED CHARCOAL METALLIC GREY 400-0096	0.014 GA

Parts List (continued)		
Part Number	Description	Quantity
10XF0440S02	04-40 X 1/8 TYPE F HEX HD STAINLESS STIC	2.000 EA
34BA4003A01SP	RESILIENT BASE, (LENGTH 8.22")	1.000 EA
EC4043D02	ELEC CAP 330V 1.4 X 3.3	1.000 EA
SP5068A01	34L TERM PANEL STAT SWITCH #E-6"	1.000 EA
HA3100A12	THRUBOLT 10-32 X 7.375	4.000 EA
LB1118	LABEL,WARNING (ROLL LABEL)	1.000 EA
LC0085	CONNECTION LABEL	1.000 EA
NP1257L	ALUM UL CSA CC THERMAL REV MTG	1.000 EA
34PA1002	PKG GRP, PRINT PK1001A01	1.000 EA

AC Induction Motor Performance Data

Record # 36360 - Typical performance - not guaranteed values

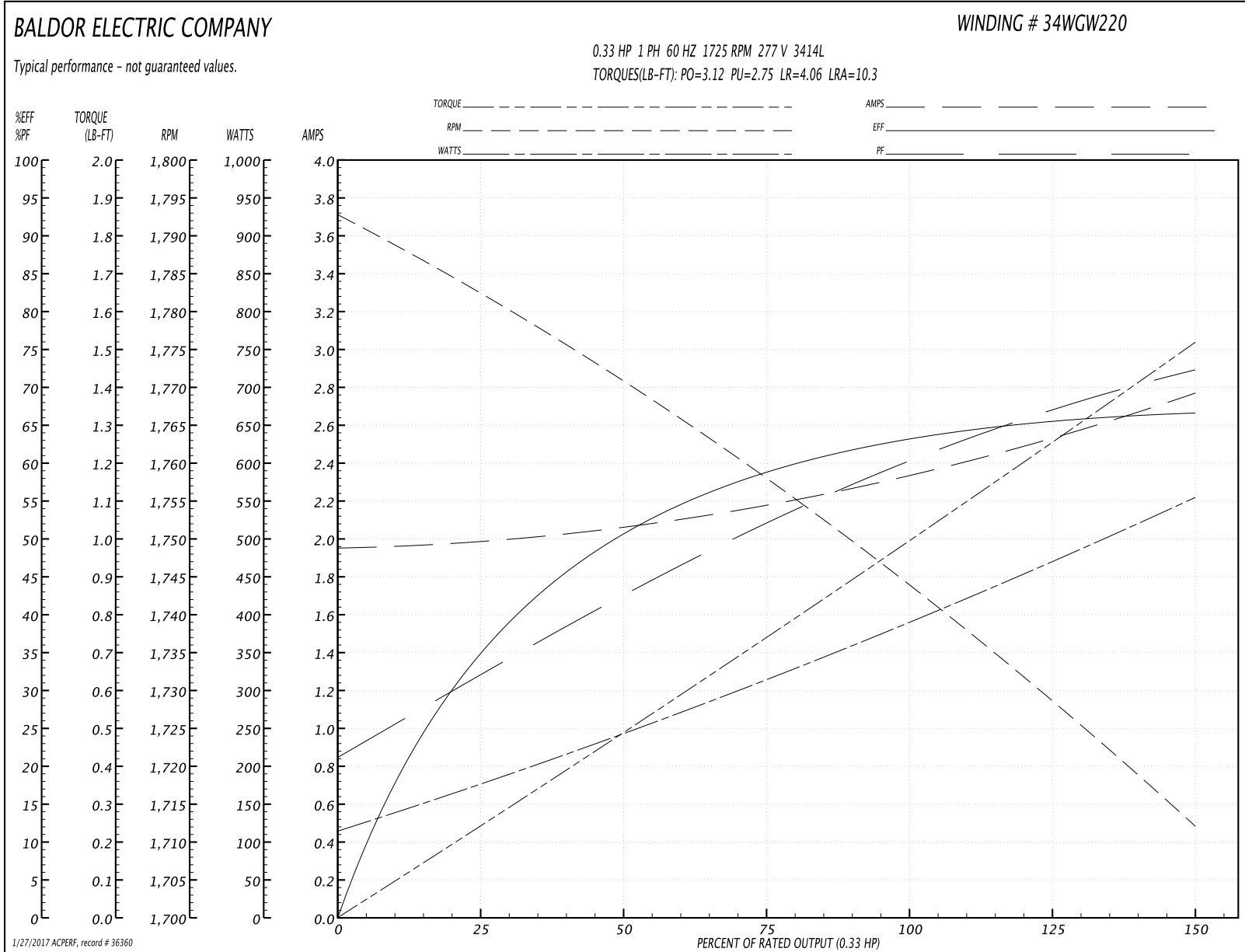
Winding: 34WGW220-R001	Type: 3414L	Enclosure: TEFC
-------------------------------	--------------------	------------------------

Nameplate Data				277 V, 60 Hz: Single Voltage Motor	
Rated Output (HP)	.33			Full Load Torque	0.994 LB-FT
Volts	277			Start Configuration	direct on line
Full Load Amps	2.5			Breakdown Torque	3.12 LB-FT
R.P.M.	1725			Pull-up Torque	2.75 LB-FT
Hz	60	Phase	1	Locked-rotor Torque	4.06 LB-FT
NEMA Design Code	N	KVA Code	L	Starting Current	10.3 A
Service Factor (S.F.)	1.35			No-load Current	1.95 A
NEMA Nom. Eff.	60	Power Factor	60	Line-line Res. @ 25°C	9.11 Ω A Ph 18.4 Ω B Ph
Rating - Duty	40C AMB-CONT			Temp. Rise @ Rated Load	
S.F. Amps	2.8			Temp. Rise @ S.F. Load	

Load Characteristics 277 V, 60 Hz, 0.33 HP

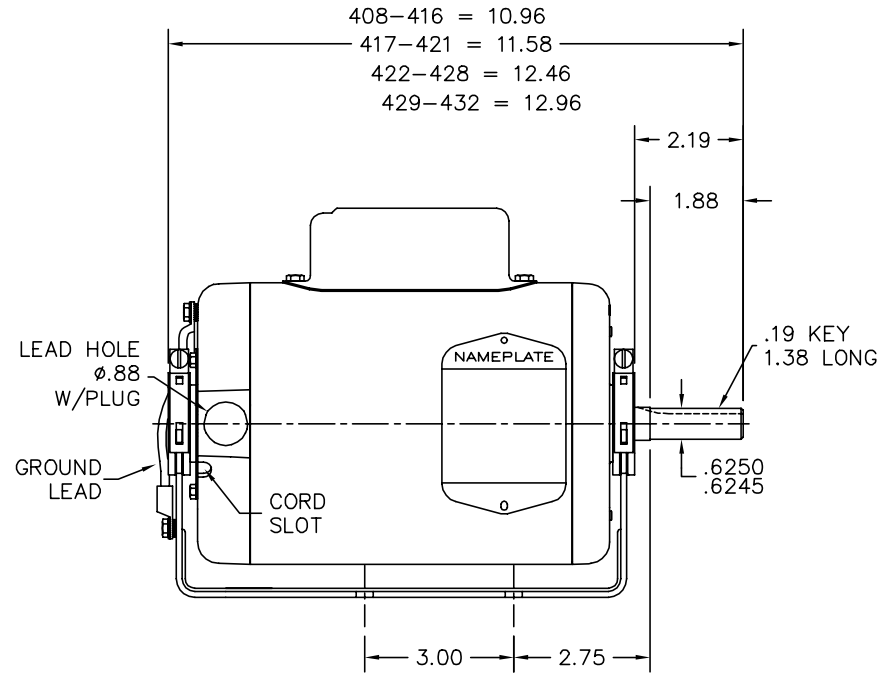
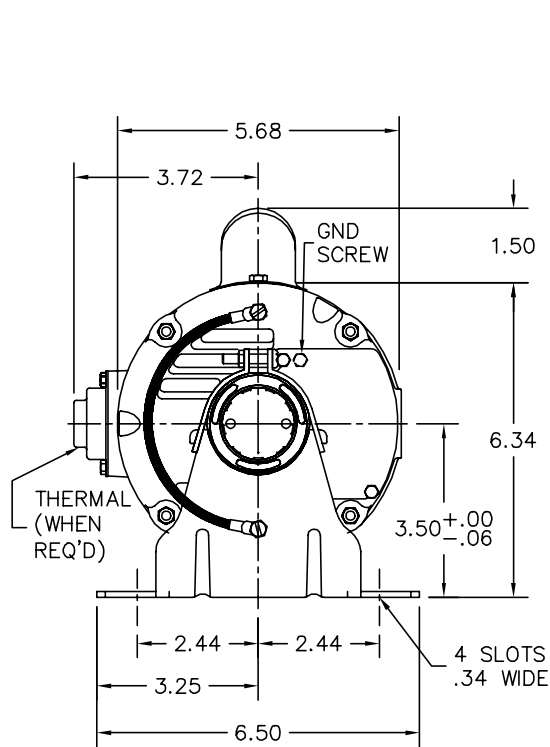
% of Rated Load	25	50	75	100	125	150	S.F.
Power Factor	32	43	52	60	67	72	69
Efficiency	34.7	50.5	58.7	63.3	65.7	66.6	66.1
Speed	1782	1771	1758	1744	1729	1712	1722
Line amperes	1.99	2.06	2.18	2.33	2.53	2.77	2.63

Performance Graph at 277V, 60Hz, 0.33HP Typical performance - Not guaranteed values



1/27/2017 ACPERF, record # 36360

34LYK018



CUSTOMER IS RESPONSIBLE FOR DETERMINING THAT BALDOR'S PRODUCT WILL PERFORM SUITABLY IN THE INTENDED APPLICATION.

REV. DESC: UPDATED LAYOUT		
REV. LTR: C	VERSION: 01	TDR: 000000789644
FILE: \AAA\00012\624		REVISED: 03:25:52 03/19/2013
MTL: -		BY: ENBENBO

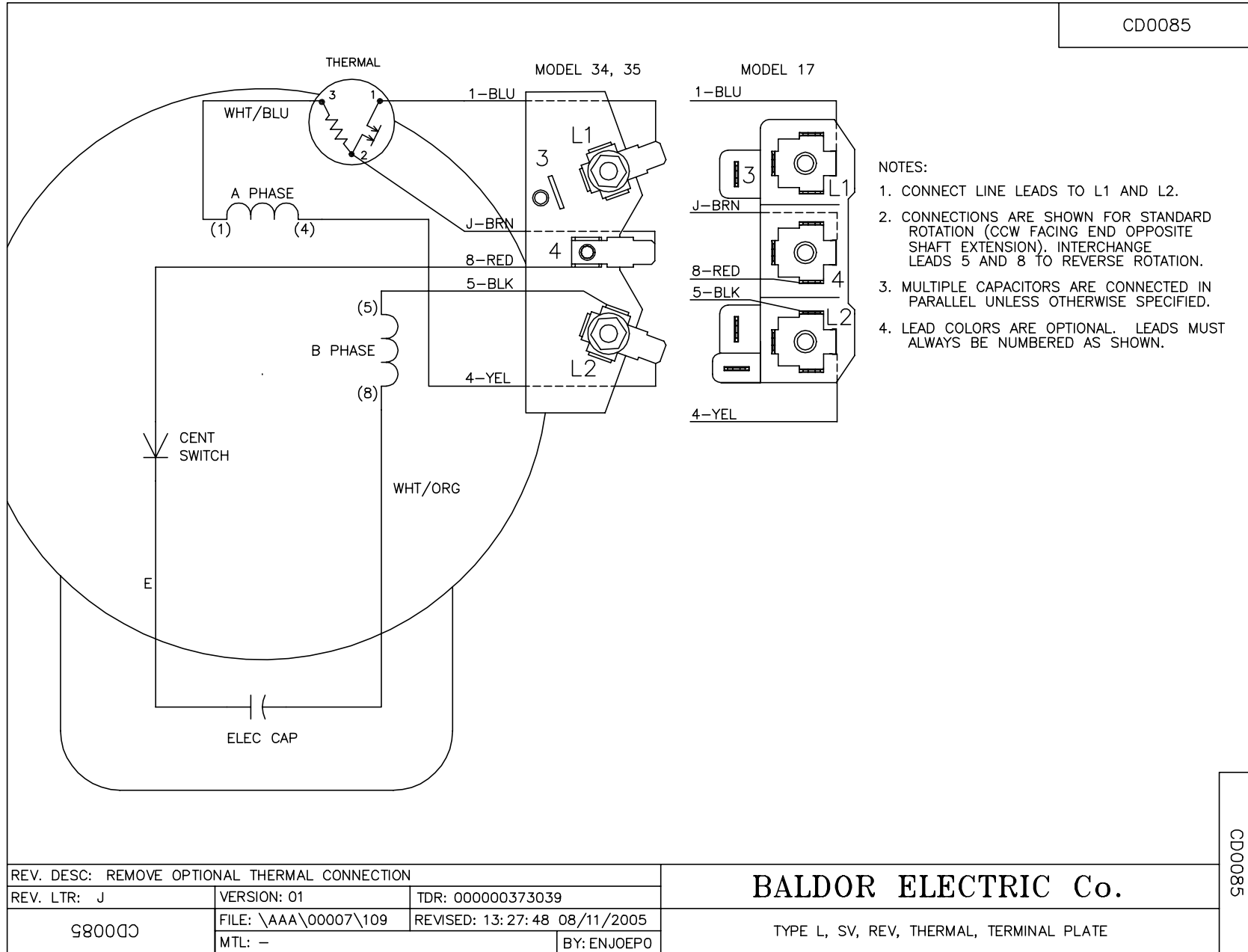
BALDOR

STD RESIL MTD 34L NEMA 56 OPEN W/TERM PLATE

SH 1 of 1

34LYK018

CD0085



CD0085

REV. DESC: REMOVE OPTIONAL THERMAL CONNECTION		
REV. LTR: J	VERSION: 01	TDR: 000000373039
980000	FILE: \AAA\00007\109	REVISED: 13:27:48 08/11/2005
	MTL: -	BY: ENJOEPO

BALDOR ELECTRIC Co.

TYPE L, SV, REV, THERMAL, TERMINAL PLATE