

# ACCESSORY KIT INSTALLATION INSTRUCTIONS

## 7900-7721 MOTOR MOUNT KIT

**IMPORTANT** - These instructions are intended for the use of qualified individuals specially trained and experienced in installation of this type of equipment and related system components.

Installation and service personnel are required by some states to be licensed.

Persons not qualified shall not install this equipment or interpret these instructions.

### PRIOR TO INSTALLING MOTOR MOUNT

1. Review these instructions.
2. Check motor mount assembly for damage. Check hardware bag for three (3) bolt assemblies, two (2) screws, two (2) KEP nuts and one (1) plastic strap.
3. Installer must provide torque wrench(es) capable of measuring 20 to 120 inch-pounds.

### REMOVE EXISTING BLOWER

1. Set thermostat to low (high) setting to discontinue heating (cooling) operation.
2. Verify blower wheel has stopped rotating. Remove furnace doors.
3. Follow Lighting/Operating Instructions "TO TURN OFF GAS TO APPLIANCE".
4. Remove the tube clamp securing the wires to the vestibule panel. Unplug the blower from the furnace control box.
5. Remove the two (2) screws securing blower to blower shelf. Slide the blower out of the furnace.
6. Remove the protector from the capacitor. Disconnect the two (2) brown wires from the capacitor.
7. Disconnect the green ground wire from the blower housing. Retain screw.
8. Loosen the blower wheel hub set screw. Remove existing motor mount and motor from blower.

### INSTALL NEW MOTOR MOUNT

1. Wrap the motor mount assembly around the motor. Assemble screws and KEP nuts from hardware bag to motor mount assembly and tighten finger tight. See Figure 1.
2. Position end of motor 1/4" from motor mount assembly. See Figure 1. Securely tighten screws and KEP nuts.

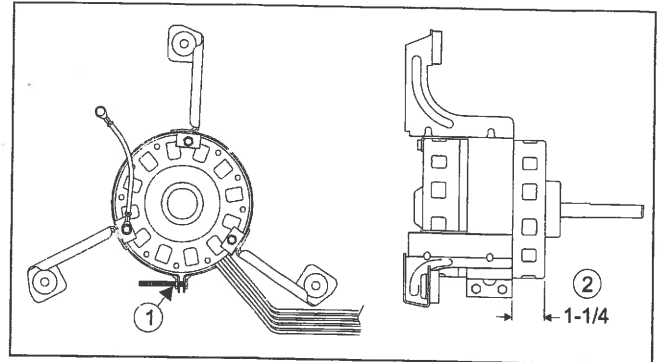


FIGURE 1

3. Insert motor shaft through the blower wheel hub and position the motor assembly on the blower housing. See Figure 2. Do not tighten the blower wheel hub set screw.

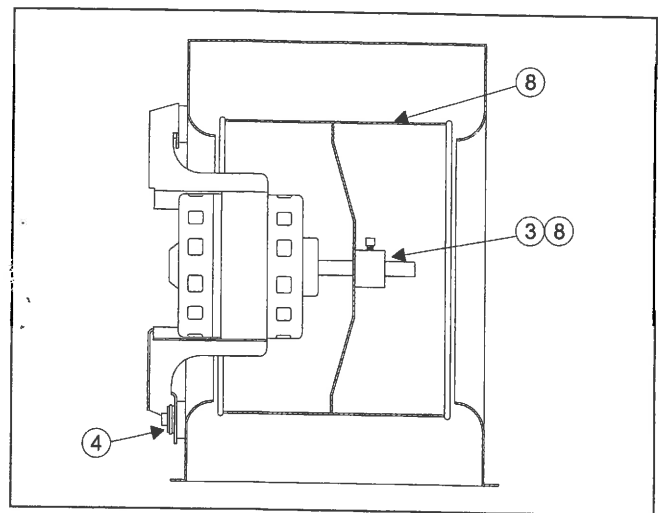
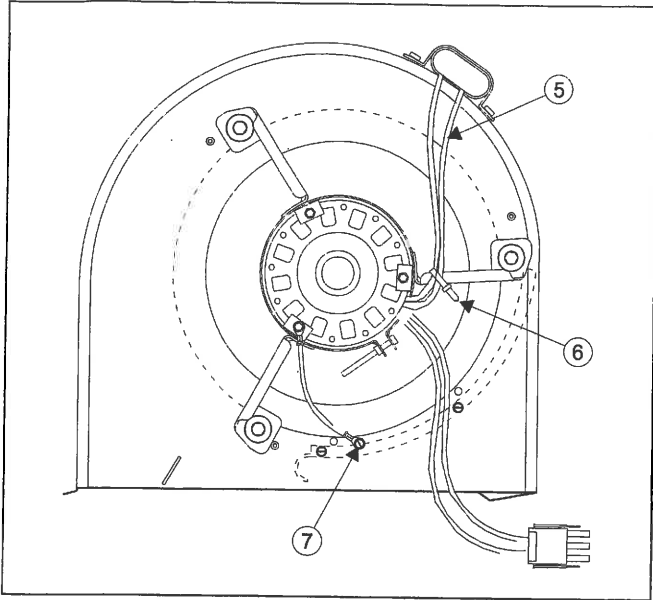


FIGURE 2

4. Insert three (3) bolt assemblies from hardware bag through motor mounts and into the blower housing. Tighten the bolt assemblies to a torque of  $25 \pm 3$  inch-pounds.
5. Insert the brown motor wires through the protector. Connect the brown wires to the capacitor. Slide the protector down the wires and seat onto the capacitor. See Figure 3.
6. Loosely wrap the plastic strap from the hardware bag around the brown motor wires and motor clamp assembly. See Figure 3. Position the wires to the flat side of the motor clamp assembly. Pull plastic strap tight.



**FIGURE 3**

7. Connect the green ground wire to the blower housing with screw removed in Step 7 above.
8. Position the blower wheel hub set screw to the flat of the motor shaft. Center the blower wheel in the blower housing. Tighten the blower wheel set screw to a torque of  $110 \pm 10$  inch-pounds. See Figure 2.
9. Slide the blower into the furnace. Secure with two (2) screws.
10. Plug the blower wire harness into the furnace control box. Secure wires to vestibule panel with tube clamp.

### **CHECK OPERATION**

1. Follow Lighting/Operating Instructions to resume furnace operation.
2. Operate furnace through two or more cycles. Verify blower operation.
3. Insert these instructions in Consumer Envelope or give these instructions to owner.