

T156 INBUILT THERMOSTAT Manual or Auto Changeover



T156 Models

- Auto Change Over Thermostat
- Manual Change Over Thermostat
- Fan Only Switching

Features

- Simple Snap-In Mounting
- Multi Speed Fan Switching Available
- Accepts 24 to 277 VAC, 50 or 60 Hz
- Remote Sensing

Advanced “**self-configuring**” circuitry allows the T156 electronic thermostat to be applied directly to input voltages from 24 to 277 VAC, 50 or 60Hz. Thermostat outputs are suitable for connection to relays, valves, and similar pilot duty loads. The system and fan switches will handle inductive and resistive loads (see ratings).

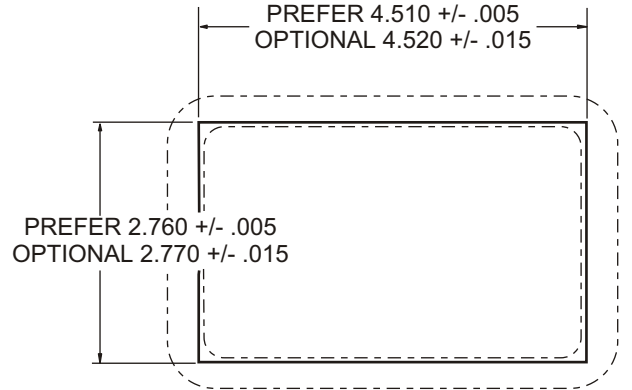
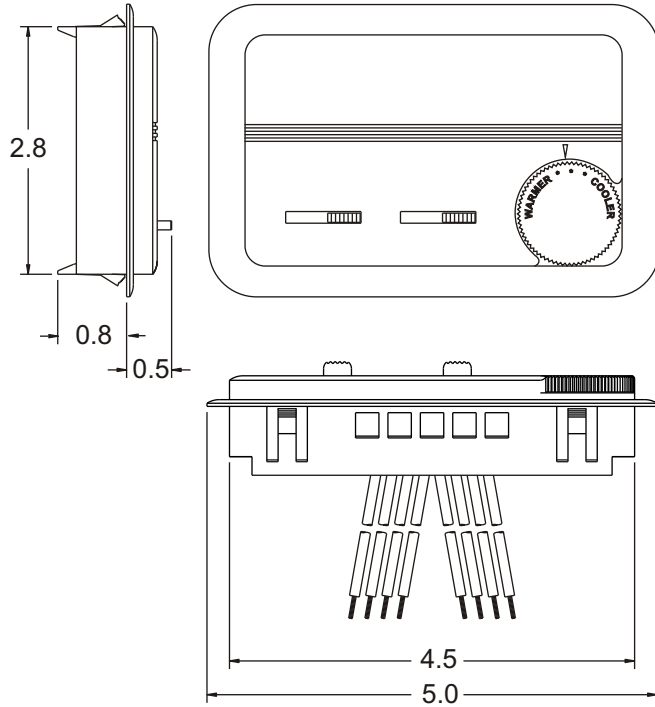
Standard models are available as a heating/cooling thermostat only, thermostat with integral switches for fan speed selection or fan switching only.

T156 STANDARD FEATURES

| | |
|-----------------------------|---|
| Self-Configuring Circuitry: | 24 to 277 VAC, 50 or 60 Hz |
| Temperature Range: | 50° - 90°F |
| Maximum Ambient: | 130°F (54°C) |
| Load Connections: | Wire leads |
| Mounting: | Installs into standard sheet metal opening. |
| Remote Thermistor Probe: | Standard 36" and 60", purchased separately |
| Fan Operation: | Continuous. Cycled operation can be achieved with the use of relays |

SPECIFICATIONS

| VOLTAGE RATING | FAN AND SYSTEM SWITCHES | | | | THERMOSTATIC SWITCHING (Pilot Duty) | AGENCY APPROVALS: UL UL Canada CE |
|----------------|-------------------------|------|----------------|------------|-------------------------------------|--|
| | INDUCTIVE | | RESISTIVE AMPS | PILOT DUTY | | |
| | FLA | LRA | | | | |
| 24 VAC | NA | NA | NA | 24 VA | 10 VA | |
| 120 VAC | 5.8 | 34.8 | 6.0 | 125 VA | 20 VA | |
| 240 VAC | 2.9 | 17.4 | 5.0 | 125 VA | 20 VA | |
| 277 VAC | 2.4 | 14.4 | 4.2 | 125 VA | 20 VA | |



PANEL THICKNESS: .020 TO .065

PANEL CUTOUT DIMENSIONS

