

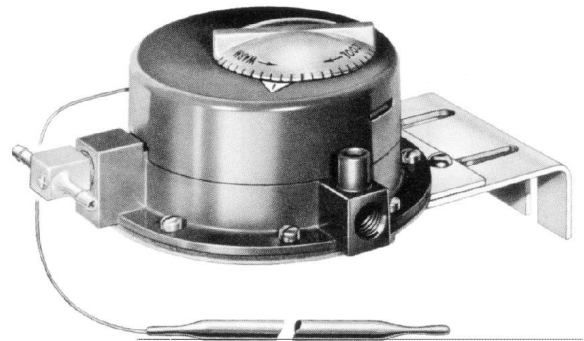
T-3100 Thermostat Single Temperature, Single Pressure

The Johnson T-3100 proportional action, pneumatic thermostat is designed to maintain space temperature in accordance with the return air temperature in a terminal air conditioning unit.

Direct or reverse acting models with liquid-filled bulb element are available with external set point adjustment.

The thermostat mechanism is protected by a snap-on cover. The external set point adjusting dial marked "Cool-Warm" and a pointer are located on top of the cover. The pointer has tabs that permit restricting the temperature adjustment range to as little as $\pm 2.5F^{\circ}$ ($\pm 1.4C^{\circ}$). It is factory set for a nominal adjustment of $\pm 7.5F^{\circ}$ ($\pm 4C^{\circ}$), from a set point of $75F^{\circ}$ ($24C$).

Linear expansion and contraction of the liquid in the element permits uniform dial graduations and provides a high degree of accuracy over the entire range of operation.

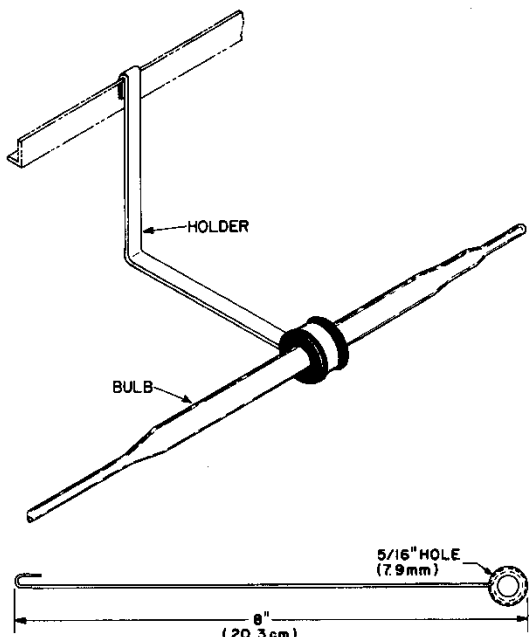
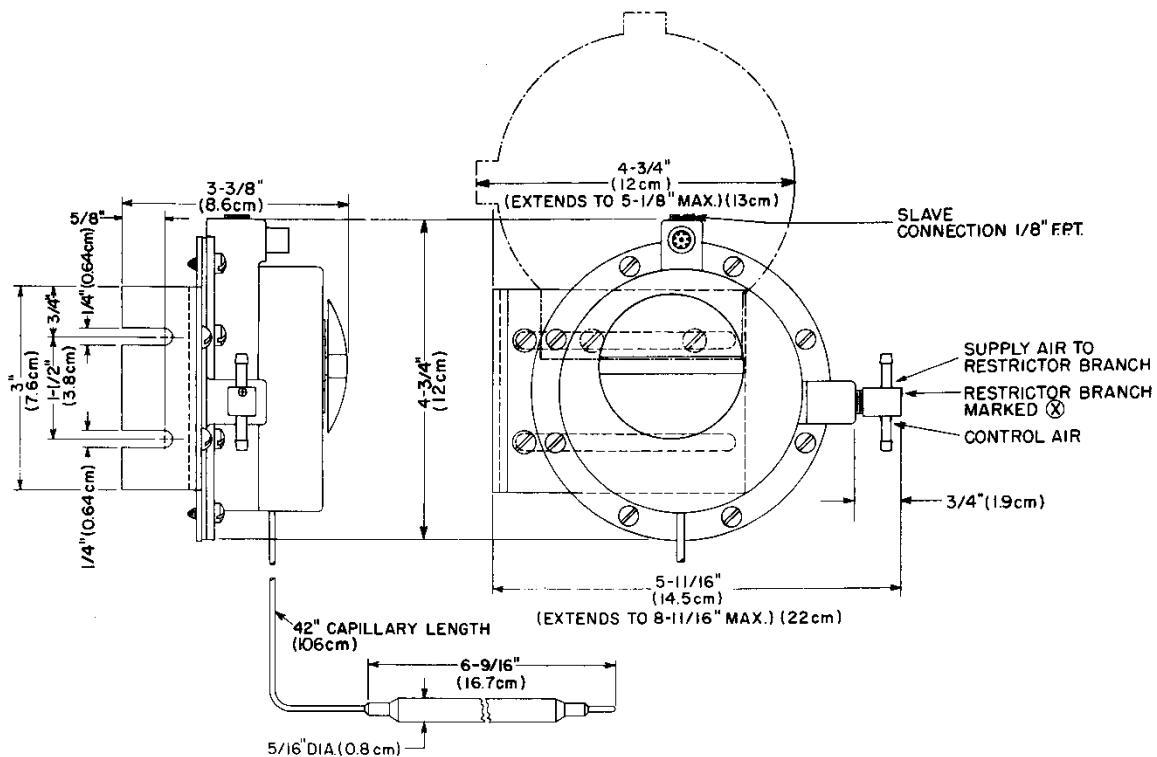


The T-3100 is attached to a metal bracket that permits a variety of mounting positions. It is recommended that the thermostat be placed so the dial is accessible.

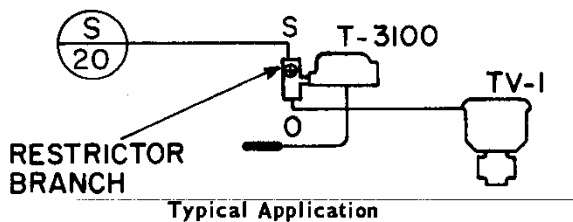
Specifications

PRODUCT		T-3100 NON-RELAY TYPE THERMOSTAT	
ACTION	PROPORTIONAL	DIRECT ACTING T-3100-2	
		REVERSE ACTING T-3100-3	
AIR CONNECTIONS	SUPPLY	RESTRICTOR BRANCH	BARBED RESTRICTOR TEE (R-3710-3107) FOR 1/4 IN. O.D. POLYETHYLENE TUBING
	OUTPUT	OPEN BRANCH	
	SLAVE	1/8 IN. F.P.T.	
MAXIMUM SUPPLY PRESSURE		25 psig (170 kPa)	
ELEMENT	TYPE	BULB WITH 42 IN. (106 cm) CAPILLARY	
	RANGE	60 TO 150F (15 TO 65C)	
SENSITIVITY		2.5 psi/F° (31 kPa/C°)	
DIAL	SPAN	20F° (11C°) MAXIMUM	
	RANGE	FACTORY SET AT $\pm 7.5F^{\circ}$ ($\pm 4C^{\circ}$) FROM A SET POINT OF 75F (24C)	
	MARKING	"COOL-WARM", GRADUATED IN ONE DEGREE "F" INCREMENTS	
AMBIENT TEMPERATURE LIMITS		-20 TO + 150F (-29 TO 65C)	
MATERIAL	BODY	DIE CAST ALUMINUM	
	COVER	DIE CAST ZINC	
COVER FINISH		GREEN LACQUER	
ACCESSORY		T-275-100 BULB ELEMENT HOLDER	

Dimensions



T-275-100 Bulb Element Holder



Typical Application

**JOHNSON
CONTROLS**

Controls Group
507 E. Michigan Street
P.O. Box 423
Milwaukee, WI 53202

Printed in U.S.A.