

Main Steam Vents

For Steam Vent selection information, please refer to "Selection Guidelines" on page 155.

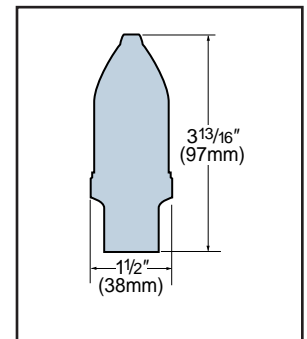
How to Select Steam Vents

Model Number	Radiator (Angle Type)	Convactor (Bottom Inlet)	Unit Heater	Mains	Thermostatic Vent (only)	Remarks
1A	X					Adjustable Orifice
70A	X					Fixed Orifice
40	X					Fixed Orifice
1B		X				Adjustable Orifice
41		X				Fixed Orifice
43		X				Fixed Orifice
45		X				Fixed Orifice
71A		X				Fixed Orifice
71B		X				Fixed Orifice
71C		X				Fixed Orifice
500		X				Moisture Type
4A				X		Small Systems
75				X		Low Pressure
75H				X		High Pressure
76				X		Vacuum Systems
3					X	Paul Systems
74			X			Unit Heaters
4					X	Small Systems
8C					X	High Pressure

Model 4A Part No. 401413

Air Valve (non-vacuum)

- Float-type thermostatic vent
- For residential or small one-pipe or two-pipe systems
- Single non-adjustable port
- ½" NPT female and ¾" NPT male straight shank
- Install 6-10" (150-250mm) above horizontal return and 18" (450mm) above the boiler water line
- Maximum operating pressure 2 psig (0.13 bar)*
- Maximum pressure 10 psig (0.7 bar)

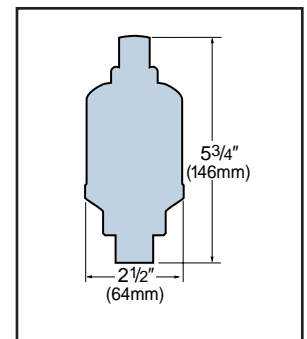


Model 75 Part No. 401434

75H Part No. 401437

Air Valve (non-vacuum)

- Float-type thermostatic vent
- For medium and large systems
- Single non-adjustable port
- ½" NPT female and ¾" NPT male straight shank
- Maximum operating pressure*
 - Model 75 3 psig (0.2 bar)
 - Model 75H 10 psig (0.7 bar)
- Maximum pressure 15 psig (1.0 bar)



*Drop away pressure (maximum pressure against which the vent can open).