

Product Overview



Print



Product Type :	AC Motors
Product Family:	5-5/8" Diameter (48 Frame)
Stock Number:	C059A
Reference:	Catalog Page: 184
Description:	MODEL-RFHP-48FR
Features:	Product feature information temporarily unavailable
Applications:	Product application information temporarily unavailable
List Price:	\$308

The image shown is representative only and the actual product may differ from the image shown

TECHNICAL SPECIFICATIONS NOTES DRAWINGS

Horse Power:	1/4
Amperes:	3.4
Frequency:	60
RPM:	1100/2 SPD.
Voltage:	115
Number of Speeds:	2
Motor Type:	UF
Frame Size:	48Z
Nema Suffix:	Z
Service Factor:	1.0
Phase:	1
Enclosure:	ENCLOSED
Bearings:	BALL
Ambient Temperature:	40
Insulation Class:	B
Rotation:	REVERSIBLE
Protector:	AUTOMATIC
Agency Approvals:	ULCSA
Capacitor Rating:	5MFD/370VAC
Duty Cycle:	AIR OVER

4

3

2

1

REV	ECO	REV BY	DATE	APPD	DATE
E	0025540	L. BERNAL	04-23-2012	D. BALDERRAMA	04-23-2012

GENERAL INFORMATION:

SHAFT RUNOUT: .001[.03] T.I.R. PER INCH LENGTH OF EXTENSION

BEARINGS: BALL

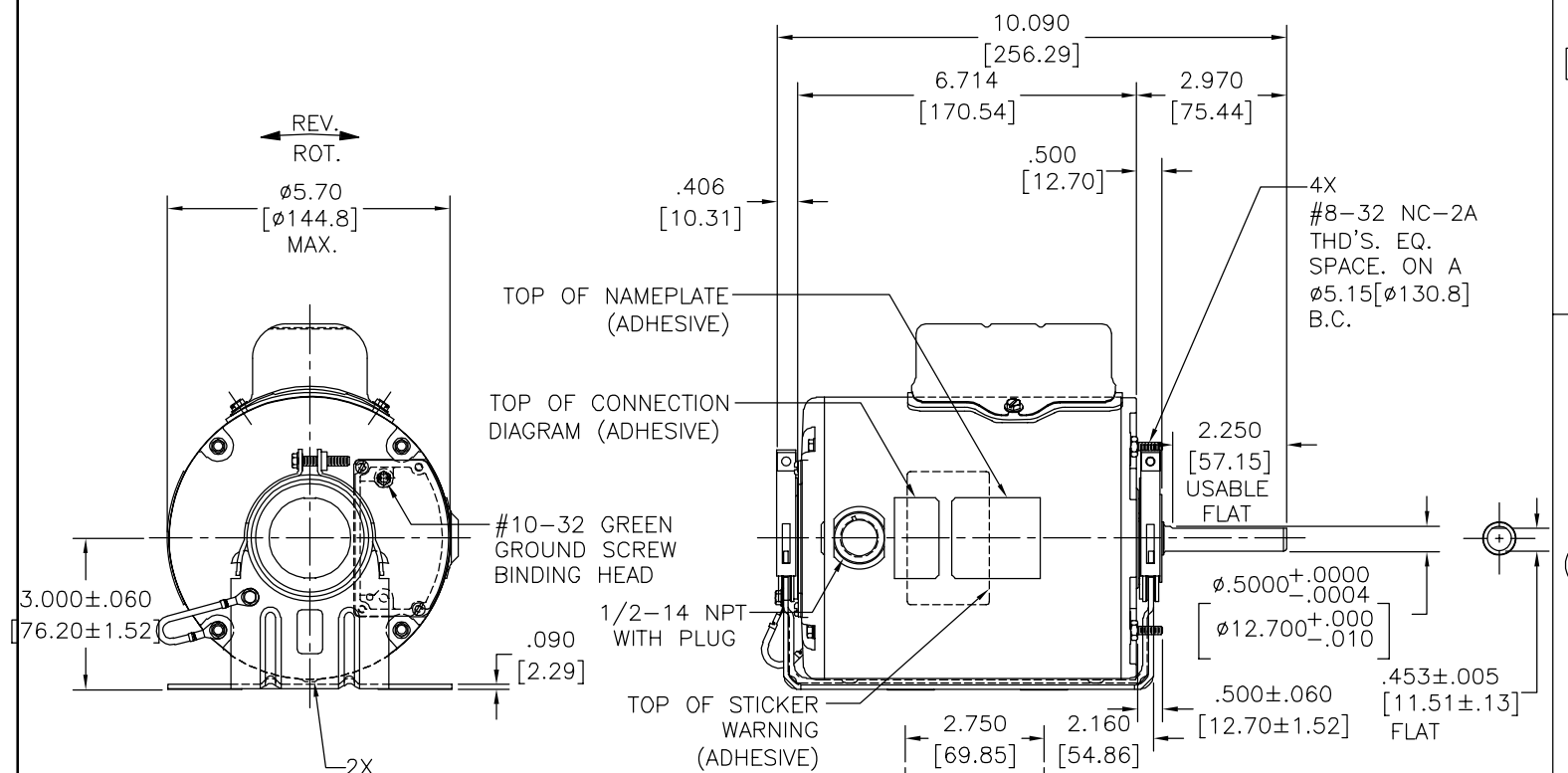
MOUNTING POSITION: HORIZONTAL

ELECTRICAL DATA:

OVERLOAD PROTECTOR: AUTOMATIC RESET (T.I. 7AM 036)

LEADS: NO. 18 GA., .03 [.8] THK. XLP 125°C INSUL.

GROUND LEAD: NO. 18 GA., .03 [.8] THK., GREEN/YELLOW INSUL.



NOTES:

1. MOTOR TO BE SHIPPED CONNECTED FOR CCWLE ROTATION.

GREEN/YELLOW (YELLOW)	CONNECTED TO BASE	#10 EYELET
PURPLE	CONNECTED TO CAPACITOR	.25 [6.4] FLAG
WHITE	CONNECTED TO CAPACITOR	.25 [6.4] FLAG
YELLOW	5.0/7.0 [127/178]	.25 [6.4] FLAG
BROWN	5.0/7.0 [127/178]	.25 [6.4] FLAG
BLUE	5.0/7.0 [127/178]	.25 [6.4] FLAG
RED	5.0/7.0 [127/178]	.25 [6.4] FLAG
COLOR	5.0/7.0 [127/178]	.25 [6.4] FLAG
COLOR	LENGTH	TERMINAL OR STRIP LENGTH

MAIN FRAME - OLE	ENCLOSED
END FRAME - OLE	ENCLOSED
MAIN FRAME - LE	ENCLOSED
END FRAME - LE	ENCLOSED

CUSTOMER	DISTRIBUTION SERVICE
----------	----------------------

NAMEPLATE DATA:	EXTERNAL CONNECTION DIAGRAM
MODEL NO.: F48AA62A01 CUST. P/N: C059A HP: 1/4 ROT.: REVERSIBLE RPM: 1100/2 SPD. TYPE: UF FRAME: 48Z VOLTS: 115 PH: 1 AMPS: 3.4 HZ: 60 INS.: B AMB.: 40° C DUTY: AIR OVER CAP.: 5 MFD/370 V ENCL: ENCLOSED UL LOGO CSA LOGO THERMALLY PROTECTED	<p>SHOWN FOR CCWLE ROTATION, FOR CWLE INTERCHANGE BROWN AND YELLOW LEADS</p>

PERFORMANCE CURVE NO.	TORQUE @ 1100 RPM (25°C)	APPROVED SAMPLE	UL COMPONENT		CSA	
C32825	21.0 OZ. FT.	0701180D	FILE #	CCN #	FILE #	CLASS #
			E46412	PRGY2	LR43341	4211-01

GEOMETRIC CHARACTERISTICS & SYMBOLS
 ▽ FLATNESS
 — STRAIGHTNESS
 ∠ ANGULARITY
 ⊥ PERPENDICULARITY (SQUARENESS)
 // PARALLELISM
 ○ ROUNDNESS (CIRCULARITY)
 ⌀ CYLINDRICITY
 △ PROFILE OF ANY SURFACE
 ∩ PROFILE OF ANY LINE
 ↗ RUNOUT
 ⊕ TRUE POSITION
 ⊙ CONCENTRICITY
 = SYMMETRY
 ASME Y14.5M 1994

REGAL-BELOIT CORPORATION (RBC) PROVIDES TECHNICAL ASSISTANCE TO OUR CUSTOMERS IN SEVERAL AREAS. SINCE RBC DOES NOT RECEIVE ALL DATA CONCERNING THE USE AND APPLICATION OF THE MOTOR, THE SUITABILITY OF THE MOTOR FOR THE APPLICATION MUST BE DETERMINED BY THE CUSTOMER.

DIMENSIONS WITHOUT TOLERANCES ARE FOR REFERENCE ONLY.

DR BY: MH 02-01-2008
 APPD: LX 06-26-2008
 THIRD ANGLE PROJECTION
 EDS DATE 11-11-2011
 FORMAT REV G
 CONFIDENTIAL: THIS DRAWING AND ITS INFORMATION ARE THE EXCLUSIVE AND CONFIDENTIAL PROPERTY OF REGAL-BELOIT CORPORATION AND ARE NOT TO BE DISCLOSED, DUPLICATED, DISTRIBUTED OR OTHERWISE USED WITHOUT THE WRITTEN CONSENT OF REGAL-BELOIT CORPORATION. -ALL RIGHTS RESERVED.

DESCRIPTION	
MODEL-RFHP-48FR OUTLINE	
SIZE C	DWG NO C059A
SCALE NONE	SHEET 1

4

3

2

1