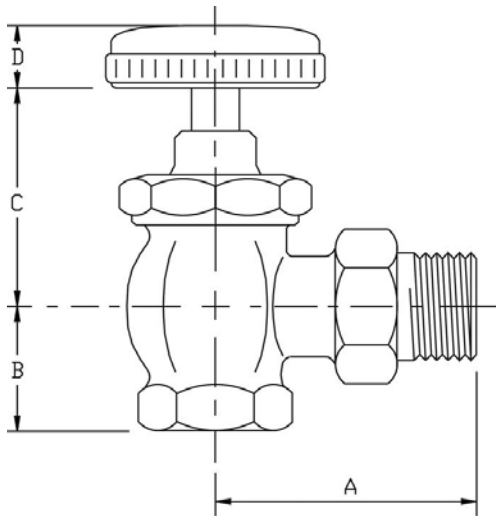
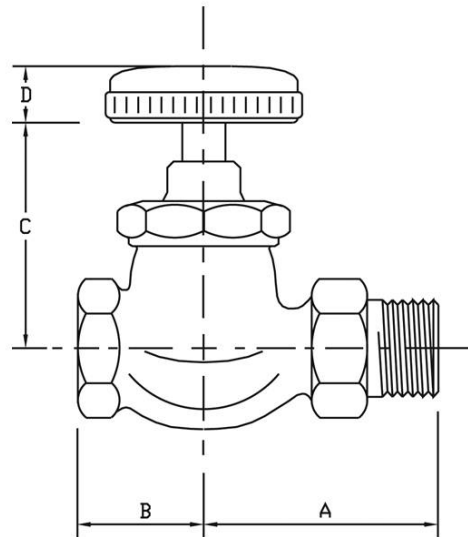


Model 185C Radiator Supply Valve

- Suitable for hot water, cold water or steam
- Brass / bronze construction
- Non-rising stem; packless construction
- Available in angle and straight pattern design
- Sizes from 1/2" to 2"
- Maximum working pressure: 150 PSIG
- Maximum temperature: 400° F



Angle Pattern



Straight Pattern

Model 185C Dimensional Data (inches)						
Part Number	Style	Size	A	B	C	D
405099	Angle	1/2"	2-3/8	1-3/16	2-3/16	7/8
405102	Angle	3/4"	2-7/8	1-3/16	2-3/16	7/8
405105	Angle	1"	3-1/8	1-1/2	2-5/16	1
405108	Angle	1-1/4"	3-1/2	1-3/4	2-5/8	1
405111	Angle	1-1/2"	3-7/8	1-15/16	2-13/16	1-1/8
405144	Angle	2"	4-3/8	2-3/8	3-1/4	1-1/8
405114	Straight	1/2"	2-3/8	1-3/8	2-11/16	7/8
405117	Straight	3/4"	2-7/8	1-3/8	2-13/16	7/8
405120	Straight	1"	3-1/8	1-11/16	3-1/16	1
405123	Straight	1-1/4"	3-5/8	2	3-9/16	1
405126	Straight	1-1/2"	3-7/8	2-3/8	3-7/8	1-1/8
407051	Straight	2"	4-3/8	2-3/4	4-1/2	1-1/8

07/09/2008