



## SERIES GB-50

### SPECIFICATIONS

#### GENERAL SPECIFICATIONS

The Conbraco GB-50 Series Full Port Gas Ball Valve with single or dual pilot tapping is made from ASTM B584 grade bronze material for superior corrosion protection. They fully comply with AGA standard #3-88, ANSI Z21.15.CGA9.1 and CR91-002 for manually operated valves. They are ideally suited for bubble tight shut-off low-pressure gas line service.

#### CONBRACO SPECIFICATIONS

All ball valves shall comply with **AGA standard 3-88, ANSI Z21.15.CGA9.1 and CR91-002.**

The ball valves shall be **100% made and tested in the USA,** and of full port design.

The manufacturing facility shall be **ISO 9001 REGISTERED.**

The **body of the valve** shall be composed of **ASTM B 584 UNS Alloy C84400 bronze materials.**

The **ball** shall be made of **ASTM B-16 chrome plated brass.**

Valves to have PTFE seats and seals.

All valves shall be **rated up to 5 psig No higher pressure ratings shall be displayed** on the body of the valve.

The valves shall be manufactured by **CONBRACO INDUSTRIES, INC.,** Pageland, South Carolina.

### DESIGN CERTIFICATIONS

• **ANSI Z21.15, CGA9.1** This standard applies to devices which are intended for use on gas-fired appliances with natural, manufactured and mixed gas, liquified petroleum (LP) gases and LP gas-air mixtures at pressures not in excess of  $1/2$  psig.

• **AGA 3-88** This standard applies to gas piping between the meter outlet and the inlet connection to the valve of a gas appliance. It is capable of operation at ambient temperatures between 32°F and 125°F and at pressures up to  $5$  psig. This standard does not apply to outdoor use.

• **CR91-002** These standards apply to the same conditions as above, but for Canadian installations.

### Full Port Gas Ball Valve w/Single or Dual Pilot Tapping

Sizes 1/2"–2"



### FEATURES

- Reversible handle
- Full port design
- 100% AMERICAN made
- MAXIMUM BTU capacities
- Fully complies with AGA 3-88, ANSI Z21.15.CGA9.1 and CR91-002 requirements.
- UL Listings:



- Guide YSDT: LP-gas shut-off valve
- Guide YRPV: Gas shut-off valve for use with natural and manufactured gases
- Guide YRBX: Flammable liquid shut-off valve
- Guide MHKZ: No. 6 oil at 250°F
- Rated to 250 psig under UL Listings
- Specially designed for installations up to 5 psig
- Optional "Tee" handle (lever handle is standard)



# PART NUMBER SPECIFICATION

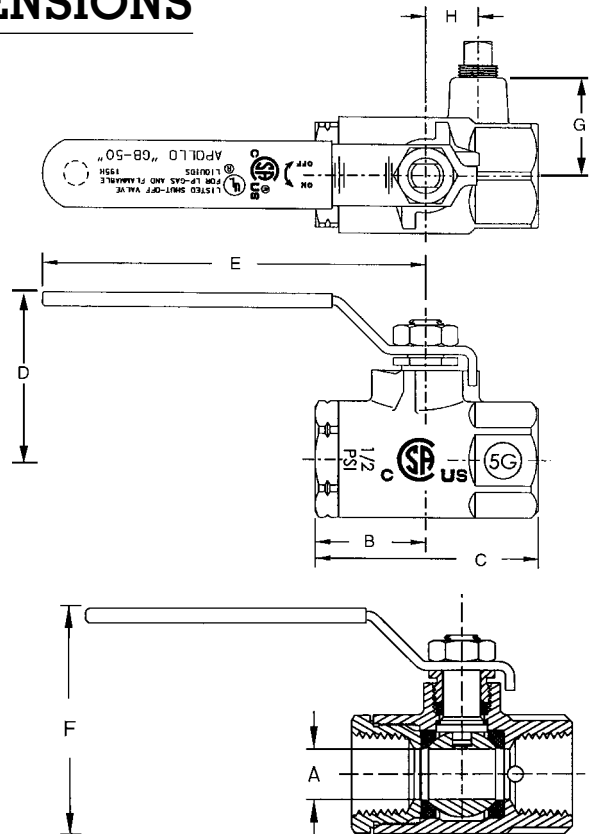
	Lever Handle w/1/8" Tapping	Lever Handle w/1/4" Tapping	Lever Handle w/1/8" Dual Tapping	Lever Handle w/1/4" Dual Tapping
Size	Part No.	Part No.	Part No.	Part No.
1/2"	50GB301	—	—	—
3/4"	50GB401	—	50GB401A	—
1"	50GB501	50GB5A1	50GB501A	50GB5A1A
1-1/4"	50GB601	50GB6A1	50GB601A	50GB6A1A
1-1/2"	50GB701	50GB7A1	50GB701A	50GB7A1A
2"	50GB801	50GB8A1	50GB801A	50GB8A1A

## MATERIAL SPECIFICATION / DIMENSIONS

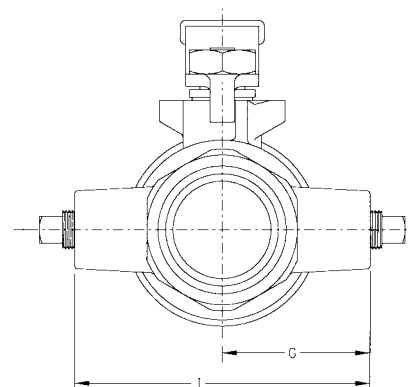
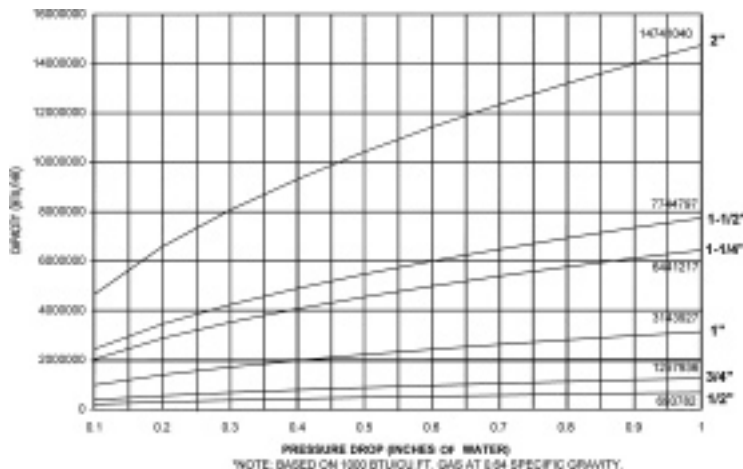
<b>Body</b>	Bronze ASTM B584 UNS Alloy C84400
<b>Retainer Screw</b>	Brass ASTM B-16
<b>Gland Screw</b>	Brass ASTM B-16
<b>Seats</b>	PTFE
<b>Stem Packing</b>	RPTFE
<b>Stem Bearing</b>	PTFE
<b>Stem</b>	Brass ASTM B-16
<b>Ball</b>	Brass ASTM B-16, Chrome Plated
<b>Hex Nut</b>	Steel ASTM A563 Grade A, Zinc Plated

Valve Size	Dimensions in Inches								
	A	B	C	D	E	F	G	H	I
1/2"	.50	1.11	2.25	1.68	3.85	2.27	1.00	.53	—
3/4"	.75	1.26	2.67	1.93	3.85	2.72	1.12	.75	2.24
1"	1.00	1.65	3.42	2.19	4.78	3.18	1.53	.94	3.06
1-1/4"	1.25	1.87	3.86	2.37	4.78	3.56	1.62	1.15	3.24
1-1/2"	1.50	2.05	4.22	2.81	5.40	4.21	1.81	1.31	3.62
2"	2.00	2.48	5.02	3.18	5.40	4.93	2.18	1.68	4.36

All valves come with 1/8" NPT pilot tapping standard.  
Optional 1/4" NPT pilot tapping upon request, sizes 1" thru 2".



## FLOW CAPACITIES



### PLUMBING & HEATING PRODUCTS DIVISION

Conbraco Industries, Inc. P.O. Box 247 Matthews, N.C. 28106 (704) 841-6000 FAX (704) 841-6020-USA