

Pro-Fit® Pump Less Volute

The Pro-Fit® Pump Less Volute replacement pump kits from Taco are an economical alternative for retrofits of Bell & Gossett* or Armstrong** circulators. Made of pre-assembled, high-quality Pro-Fit® components, each model is a universal replacement for multiple circulator models in either iron or bronze construction.



HYDRONIC COMPONENTS & SYSTEMS

Do it once.
Do it right.® **Taco**®

Submittal Data Information

Pro-Fit® Pump Less Volute

Application

Pro-Fit® RPK Series Pump Less Volute are direct replacement kits for all original equipment Bell & Gossett® and Armstrong® circulators. By re-using the original pump body and replacing only the moving parts, installers can take advantage of substantial cost savings. Each model includes a heavy duty maintenance-free, permanently-lubricated motor, a universal bearing assembly for iron or bronze pumps, a universal one-kit-fits-all replaceable bearing cartridge design, and a durable Noryl® impeller ideal for open or closed systems.

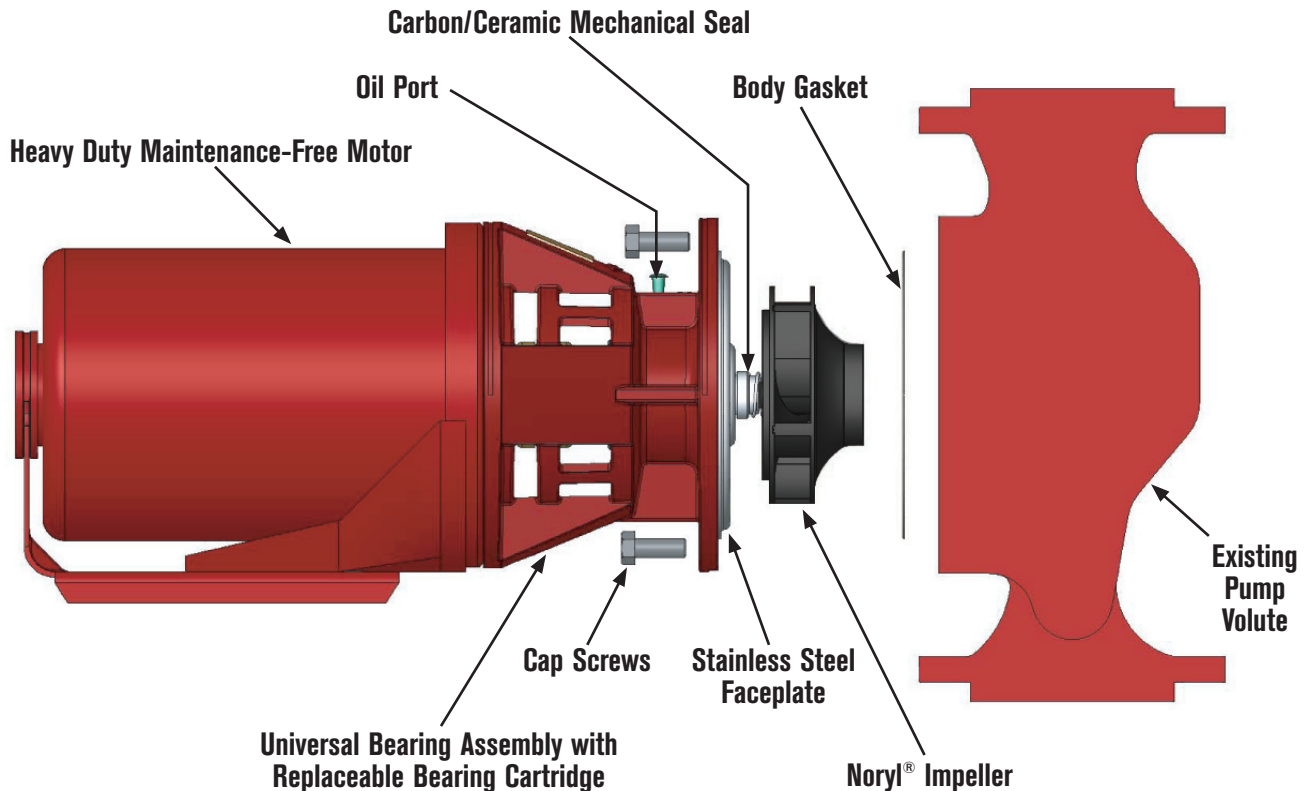
Features

- High Quality Pro-Fit® Components
- Universal Replacements for Bell & Gossett® or Armstrong® Circulators
- Heavy Duty Maintenance-Free, Permanently-Lubricated Motor
- Universal Bearing Assembly for Iron or Bronze Construction
- Replaceable Bearing Cartridge - One Kit Fits all Models
- Durable Noryl® Impeller - Ideal for Open or Closed Systems
- Cast Zinc Spring Coupler with Reinforced Eyelets or Woods 3-J Coupler
- Factory Pressure-Tested

*** Noryl® is a Trademark of General Electric Company.

Replacement Cross Reference

Model No.		Replaces all Models, Iron or Bronze	
		Bell & Gossett	Armstrong
115V Single Phase	RPK-A-100	100	S-25
	RPK-B-101	HV or 2" (old & new)	S-35, H-32
	RPK-C-100	PR	H-41
	RPK-C-101	2-1/2 or LD3	S-45 (2-1/2" or 3")
	RPK-C-102	HD3	S-46
	RPK-D-100	PD35S	S-55
	RPK-D-101	PD37S, 60-14, 611	S-57, H-54
	RPK-D-102	60-11 (604S)	H-51
	RPK-D-103	60-2	H-52
	RPK-D-104	60-13 (608S)	H-53
230V Three Phase	RPK-D-200	PD35T	H-55-3
	RPK-D-201	PD37T, 60-14T, 611T	S-57-3, H-54-3
	RPK-D-204	60-13T (608T)	H-53-3



Submission Data Information Pro-Fit® Pump Less Volute

Materials of Construction

Bracket: Die Cast Aluminum
Shaft: Carbon Steel
Shaft Sleeve: Copper
Impeller: Noryl®
Face Plate: 305 Stainless Steel
Coupler: Cast Zinc Spring Coupler or Woods 3-j: Aluminum Hub, EPDM Insert
Mechanical Seal: Carbon/Ceramic
Cup & Bellows: Buna
Spring, Holder, Retainer: Stainless Steel

Electrical Data

Model	Volts	Hz	Ph	RPM	HP	Amps
RPK-A-100	115	60	1	1725	1/12	2.0
RPK-B-101	115	60	1	1725	1/6	4.4
RPK-C-100	115	60	1	1725	1/6	4.4
RPK-C-101	115	60	1	1725	1/4	4.4
RPK-C-102	115	60	1	1725	1/3	5.0
RPK-D-100	115/230	60	1	1725	1/2	6.0/3.0
RPK-D-101	115/230	60	1	1725	3/4	9.0/4.5
RPK-D-102	115	60	1	1725	1/4	4.4
RPK-D-103	115	60	1	1725	1/3	5.0
RPK-D-104	115/230	60	1	1725	1/2	6.0/3.0
RPK-D-200	208-230/460	60	3	1725	1/2	2.1-2/1
RPK-D-201	208-230/460	60	3	1725	3/4	2.6/1.3
RPK-D-204	208-230/460	60	3	1725	1/2	2.1-2/1

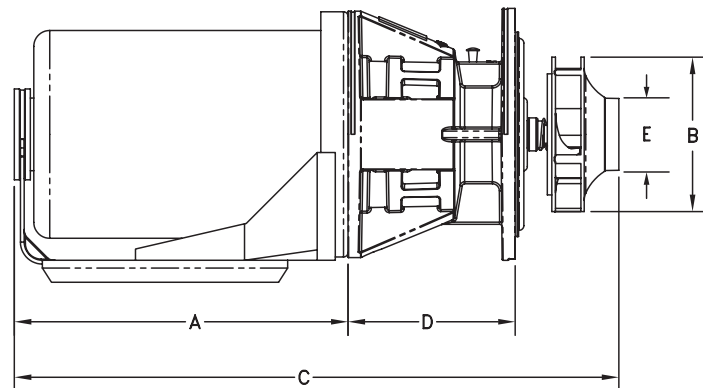
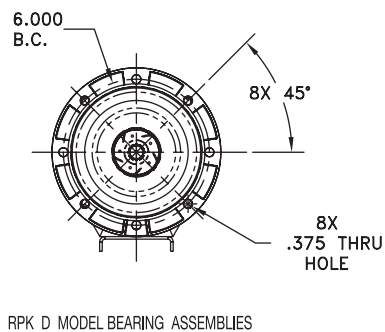
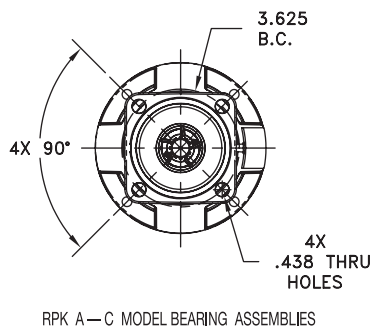
Open Drip Proof	Automatic Thermal Overload
Resilient Mount - 1/12HP through 1/2HP	C-Face Mount - 3/4HP
Class B Insulation	Capacitor Start

Performance Data

Max Temp: 225°F
Max WP: 125 psi

Pump Dimensions & Weights

Model	A		B		C		D		E		Ship Wt.	
	in.	mm	in.	mm	in.	mm	in.	mm	in.	mm	lbs.	Kg
RPK-A-100	8-5/16	211	2-3/4	70	14-3/8	365	3-15/16	84	1-1/2	38	21	9.5
RPK-B-101	8-5/16	211	3-5/16	84	14-1/2	368	3-9/16	90	1-1/2	38	23	10.4
RPK-C-100	8-5/16	211	4-1/4	108	13	330	3-9/16	90	1-1/2	38	24	10.9
RPK-C-101	8-5/16	211	3-7/8	98	15-1/8	384	3-9/16	90	2	51	24	10.9
RPK-C-102	8-5/16	211	4-1/4	108	15-1/8	384	3-9/16	90	2	51	25	11.3
RPK-D-100	9-1/16	230	4-3/4	120	16-9/16	421	4-5/8	117	2	51	31	14.0
RPK-D-101	9-13/16	249	5-1/4	133	17-5/16	440	4-5/8	117	2	51	35	15.9
RPK-D-102	8-1/4	210	5	127	15-3/4	400	4-5/8	117	1-1/2	38	25	11.3
RPK-D-103	8-1/4	210	5-1/4	133	15-3/4	400	4-5/8	117	1-1/2	38	26	11.8
RPK-D-104	9-1/16	230	5-1/4	133	16-3/4	425	4-5/8	117	1-1/2	38	31	14.0
RPK-D-200	8	203	4-3/4	120	15-7/16	392	4-5/8	117	2	51	29	13.2
RPK-D-201	8-7/8	225	5-1/4	133	16-5/16	414	4-5/8	117	2	51	29	13.2
RPK-D-204	8	203	5-1/4	133	15-11/16	398	4-5/8	117	1-1/2	38	28	12.7



HYDRONIC COMPONENTS & SYSTEMS



Replacement Parts List

	Model No.	1 Motor	2 Coupler	3 Bearing Assy.	4 Impeller	5 Body Gasket	6 Seal Kit	7 Cartridge
115V Single Phase	RPK-A-100	MOT-A-100	COU-ABC-100	BRG-A-100	IMP-A-100	GSK-A-100	SLK-ABCD-100	CAR-ABCD-100
	RPK-B-101	MOT-B-101	COU-ABC-100	BRG-B-101	IMP-B-100	GSK-B-100		
	RPK-C-100	MOT-B-100	COU-ABC-100	BRG-C-100	IMP-C-100	GSK-C-100		
	RPK-C-101	MOT-C-100	COU-ABC-100	BRG-C-100	IMP-C-101	GSK-C-100		
	RPK-C-102	MOT-C-101	COU-ABC-100	BRG-C-100	IMP-C-102	GSK-C-100		
	RPK-D-100	MOT-D-102	COU-D-100	BRG-D-100	IMP-D-100	GSK-D-100		
	RPK-D-101	MOT-D-104	COU-D-100	BRG-D-100	IMP-D-101	GSK-D-100		
	RPK-D-102	MOT-D-100	COU-D-100	BRG-D-100	IMP-D-102	GSK-D-100		
	RPK-D-103	MOT-D-101	COU-D-100	BRG-D-100	IMP-D-103	GSK-D-100		
	RPK-D-104	MOT-D-102	COU-D-100	BRG-D-100	IMP-D-104	GSK-D-100		
230V Three Phase	RPK-D-200	MOT-D-103	COU-D-100	BRG-D-100	IMP-D-100	GSK-D-100		
	RPK-D-201	MOT-D-105	COU-D-100	BRG-D-100	IMP-D-101	GSK-D-100		
	RPK-D-204	MOT-D-103	COU-D-100	BRG-D-100	IMP-D-104	GSK-D-100		

