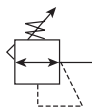
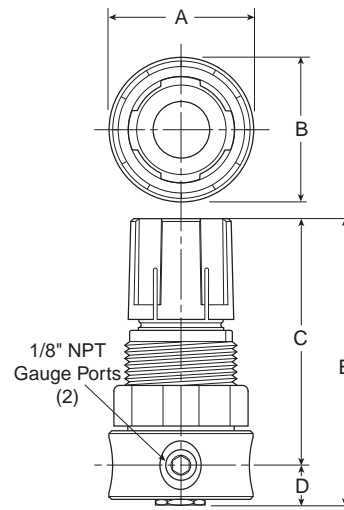


R364, R374 Regulators – Miniature



Features

- High Flow and High Sensitivity
- Constant Bleed Option for Semi-Precision Applications
- Can be Used for Water Service (Non-Relieving)
- Unbalanced Poppet Standard
- Diaphragm Operated for Fast Response
- Non-rising Adjusting Knob
- Stainless Steel Version Available (See Stainless Steel Section of Catalog)
- High Flow: 10 SCFM[§] (Air)
1.25 GPM (Water)



Port Size	NPT
Brass	
1/8"	R364-01C
1/4"	R364-02C
Aluminum	
1/8"	R374-01C
1/4"	R374-02C

R364, R374 Regulator Dimensions		
A	B	C
1.56 (39.7)	1.56 (39.7)	2.56 (65.1)
D	E	
0.50 (12.7)	3.06 (77.8)	

Bold Items are Most Popular.

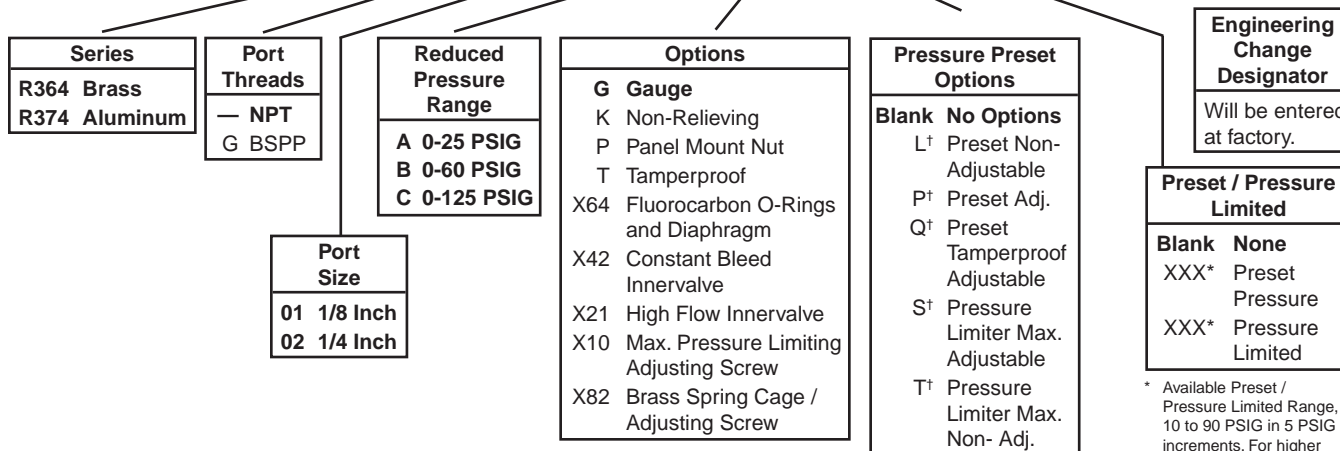
For other models refer to ordering information below.

NOTE: 1.250 Dia. (31.8mm) hole required for panel mounting.

§ SCFM = Standard cubic feet per minute at 100 PSIG inlet, 75 PSIG no flow secondary setting and 25% pressure drop.

Inches (mm)

Ordering Information

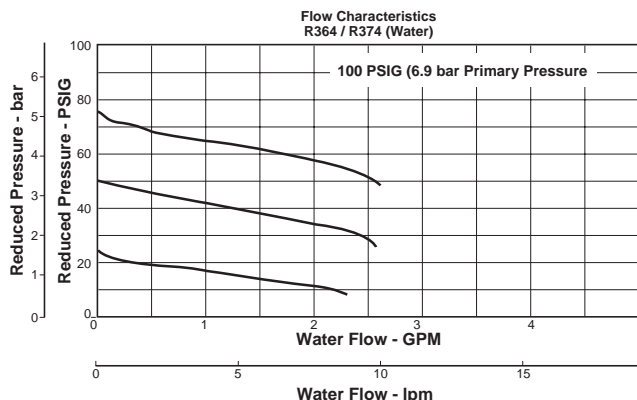
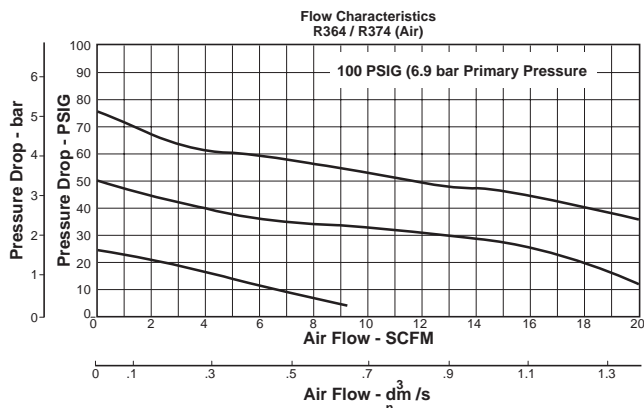


BOLD ITEMS ARE MOST POPULAR.

[†] Inlet Pressure is 100 PSIG. For other pressures, contact factory.

* Available Preset / Pressure Limited Range, 10 to 90 PSIG in 5 PSIG increments. For higher pressures, contact factory. (Example: 065 = 65 PSIG)

Technical Information



⚠ WARNING

**Product rupture can cause serious injury.
 Do not connect regulator to bottled gas.
 Do not exceed maximum primary pressure rating.**

⚠ CAUTION:

REGULATOR PRESSURE ADJUSTMENT – The working range of knob adjustment is designed to permit outlet pressures within their full range. Pressure adjustment beyond this range is also possible because the knob is not a limiting device. This is a common characteristic of most industrial regulators, and limiting devices may be obtained only by special design. For best performance, regulated pressure should always be set by increasing the pressure up to the desired setting.

R364, R374 Regulator Kits & Accessories

- Gauges** – 1-1/2" Dial Size, 1/8" Back Connection
 0 to 60 PSIG (0 to 400 kPa)..... K4515N18060
 1-1/2" Dial Size, 1/8" Back Connection
 0 to 160 PSIG, (0 to 1100 kPa)..... K4515N18160
- Mounting Bracket Kit** SA161X57
 (Includes Panel Mount Nut)
- Panel Mount Nut** – PlasticR05X51-P
 AluminumR05X51-A
- Spring Cage & Knob** CKR364Y
- Spring Cage Kit (Tamperproof)**CKR364T
- Repair Kits –**
- Standard Nitrile**
- Non-Relieving Diaphragm, Valve Assembly RKR163Y
- Relieving Diaphragm, Valve Assembly RKR164Y
- Flourocarbon**
- Non-Relieving Diaphragm, Valve Assembly RKR164KX64
- Relieving Diaphragm, Valve Assembly RKR164X64

Specifications

- Gauge Ports (2)**1/8 Inch
- Port Threads**1/8, 1/4 Inch
- Primary Pressure Rating**2 to 125 PSIG (-15 to 8.5 bar)
- Supply Pressure**300 PSIG Maximum (20.4 bar)
- Temperature Rating**40°F to 125°F (4.4°C to 52°C)
- Weight** – Brass Body..... 0.5 lb. (0.23 kg) / Unit
 25 lb. (11.34 kg) / 48-Unit Master Pack
- Aluminum Body..... 0.25 lb. (0.11 kg) / Unit
 15 lb. (6.80 kg) / 48-Unit Master Pack

Materials of Construction

- Adjusting Screw** Steel
- Body** – R364 Brass
 R374 Aluminum
- Springs** – Adjusting Steel
 Bottom..... Stainless Steel
- Spring Cage** Acetal
- Bottom Plug, Innervale, Diaphragm Buttom** Brass

