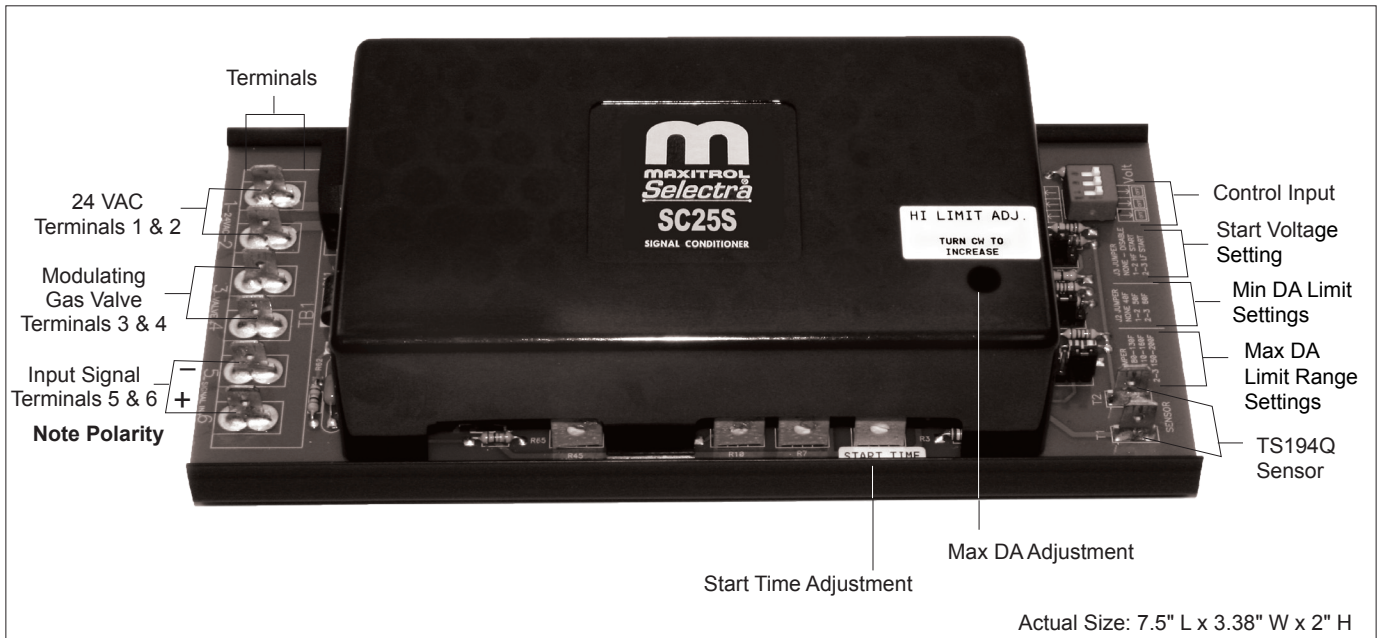


MAXITROL

Selectra® SC11S and SC25S Signal Conditioners

INSTALLATION INSTRUCTIONS



DESCRIPTION

SC11S and SC25S:

The SC11S and SC25S analog signal conditioners convert a 0-10 VDC or 4-20 mA control signal to an output level capable of driving one or more Selectra modulating gas valves. A 3-position DIP switch configures the SC11S or SC25S for a 0-10 VDC or 4-20 mA input signal.

A timer circuit initially fixes the modulator output to 0 VDC or 20 VDC whenever 24 VAC is applied to the SC11S or SC25S. After the start time interval has elapsed, the modulator output voltage is proportional to the control signal input. The start time interval is user selectable between 5 and 30 seconds.

SC25S Only:

The SC25S also monitors and limits minimum and maximum discharge air temperatures. The SC25S senses the discharge air temperature using a TS194 (Q) sensor w/ MT mixing tube. If the sensed discharge air temperature approaches the set minimum or maximum limit, the SC25S will override the control signal and reduce DC voltage (high limit) or increase DC voltage (low limit) in order to maintain discharge air temperatures between the set limits. When measured discharge air temperature is between the limit settings, the DC output is a function of the control signal (4-20 mA, 0-10 VDC) only.

SPECIFICATIONS:

Power Voltage:	24 VAC, 50/60 Hz
Control Input: (Note Polarity)	4-20 mA or 0-10 VDC (user selectable DIP switch)
Output:	0-20 VDC, 1.8A max load
Start Time:	5 to 30 seconds nominal (user adjustable dial)
Connections:	¼" Quick Connect Tab
Mounting:	Snap Track w/Screws
Modulating Gas Valves:	M411, M511, M611, M420, M520, M620, MR212 Series

⚠ CAUTION

READ PRIOR TO INSTALLATION:

To Avoid Internal Damage to Signal Conditioners Follow These Guidelines.

1. Transformer secondary must **not** be grounded in any portion of the circuit external to the signal conditioner. A separate, independent transformer is recommended.
2. Multiple signal conditioners controlled by a signal source with common outputs (terminals 5 & 6) require separate transformers for each signal conditioner.
3. Multiple signal conditioners powered by a single transformer require independent signal inputs (terminals 5 & 6) to each signal conditioner.

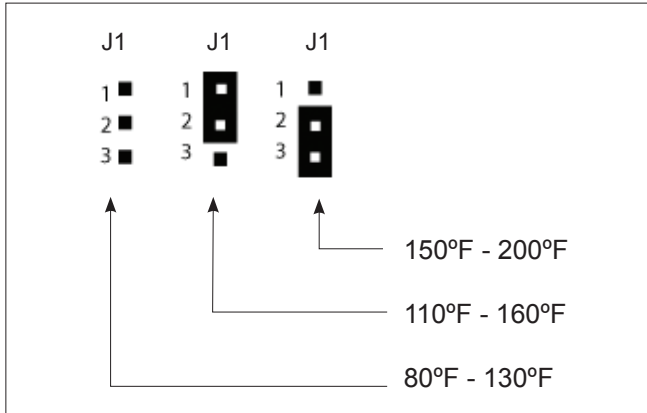
MAXITROL

Selectra® SC11S and SC25S Signal Conditioners

INSTALLATION INSTRUCTIONS

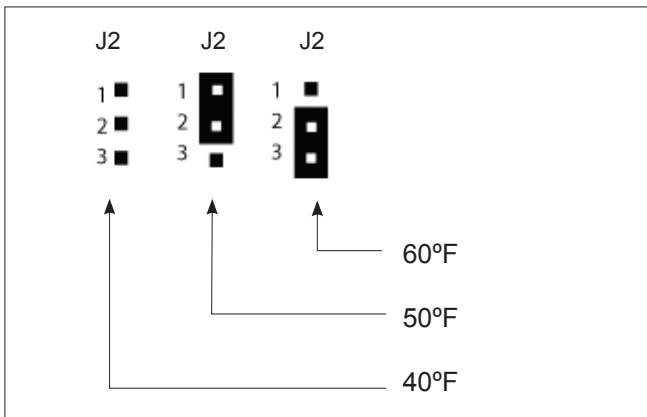
JUMPER SETTINGS

SC25S Only:



Max DA Limit Range Settings:

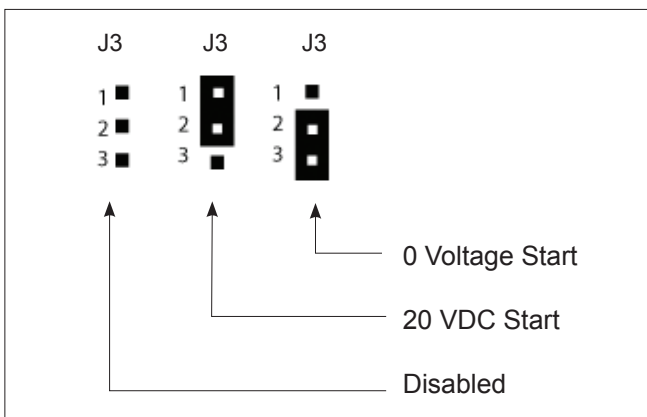
80°F - 130°F nominal
110°F - 160°F nominal
150°F - 200°F nominal



Min DA Limit Settings:

40°F, 50°F, or 60°F

SC11S and SC25S:



Start Voltage Selection:

20 VDC (fixed), 0 VDC

MAXITROL