

# tekmar® Submittal

## Actuating Motor 741



Accessories

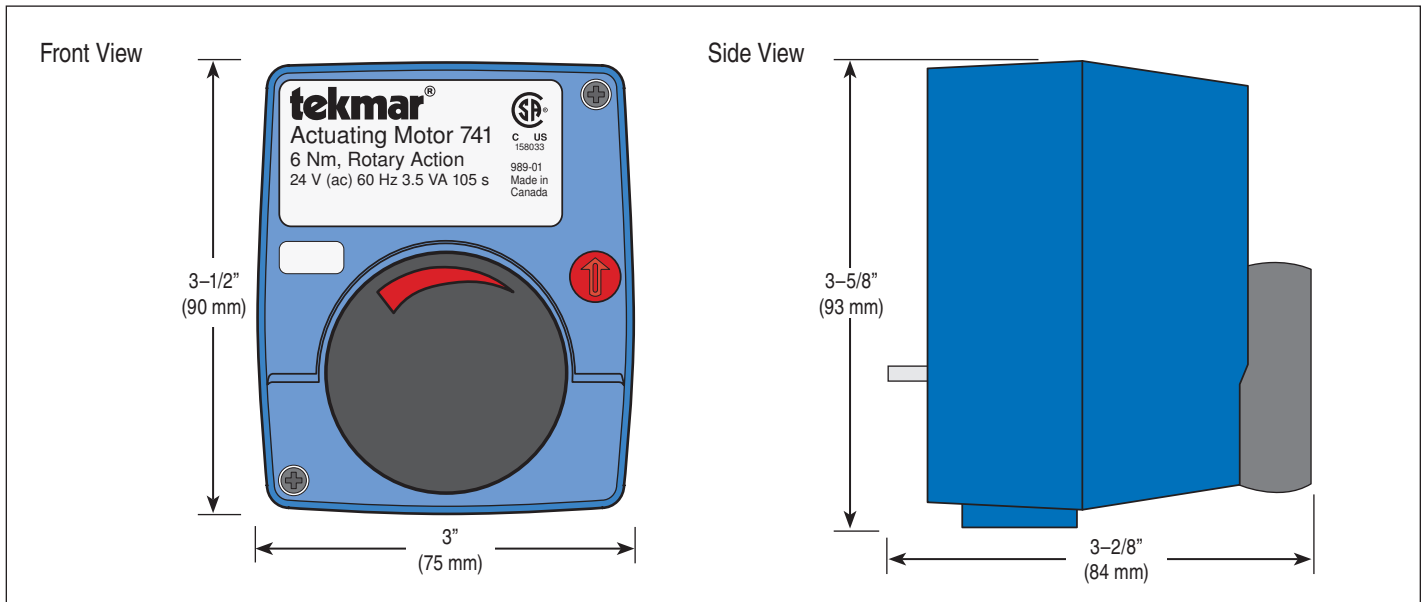
**C 741**

01/11

Replaces: New

Job \_\_\_\_\_ Designer \_\_\_\_\_ Contact \_\_\_\_\_

The Actuating Motor 741 is a 24 V floating action actuator designed to operate all tekmar brass mixing valves (710 to 724). It receives a 24 V open or close signal, which causes the motor to open or close the valve. It provides 6 N•m (53 in•lbs) of torque over a 90° rotation. This product rotates its output shaft whenever 24 V (ac) is applied between either the counter clockwise (↺) or clockwise (↻) terminals and the Com terminal. It is compatible with any control having a 24 V (ac) floating output.



### Specifications

Actuating Motor 741	
Literature	D741
Packaged weight	1.2 lb. (520 g)
Dimensions	3-1/2" H x 3" W x 3-1/2" D (90 x 75 x 90 mm)
Approvals	CSA C US
Ambient conditions	Indoor use only, -4 to 122°F (-20 to 50°C), RH ≤92% to 104°F (40°C), and 50% above 104°F (40°C), Altitude <9840 ft. (3000 m), Installation Category I, Pollution Degree 2
Power supply	24 V (ac) ±10%, 60 Hz, 1.5VA
Control signal	24 V (ac), floating action
Angle of rotation	Electrically limited to 90° shaft rotation
Run Time	105 seconds at 60 Hz
Maximum torque	6 N•m (53 in•lbs)
Warranty	Limited 3 Year (See D741 for full warranty)

### Features

- 6 N•m (53 in•lbs) of torque
- Electrically limited to 90° shaft rotation
- 105 second open or close time at 60 Hz

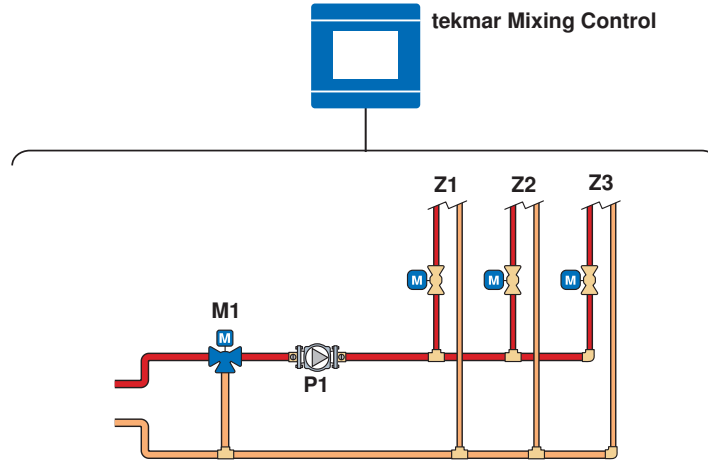
### SPECIAL REQUIREMENTS

N / A

## Sample Application Drawing

Below is a sample application drawing for this product. This application may include other tekmar products that are required for installation. More sample applications can be found at [www.tekmarcontrols.com](http://www.tekmarcontrols.com).

Sample Mechanical diagram



Sample Electrical diagram

Legend:

P1 = Mix system pump  
M1 = Actuator 741  
Z1 = Zone 1  
Z2 = Zone 2  
Z3 = Zone 3

