

# VERSA PLUS

Air Pressure Switch



**NPT  
Base**



**Hose Barb  
Base**

The Versa Plus Air is a highly accurate air pressure switch that monitors positive, vacuum, or differential air pressure. The integrated contacts make or break circuits to a desired setpoint. The omega spring design provides repeatability and accuracy. It is compact, easy to install, and available in various mounting configurations.

## Features

- Compact design.
- Accurate.
- Setpoint indication.
- Adjustable differential.
- Integrated contacts.
- Cost-effective pricing.
- Large scale ranges from 0.2–50 mbar (0.08"–20" W.C.)

## Antunes Controls

Since 1962, Antunes Controls has designed and manufactured exceptional quality products for applications that require precision mechanisms. From our earliest pressure switches, which are still manufactured today with only slight modifications, to our more advanced electronic controls and timers, Antunes Controls uses only the highest quality components and the highest standards to ensure each one of our products is durable and dependable. That is why our switches and controls can be found in buildings throughout the world.

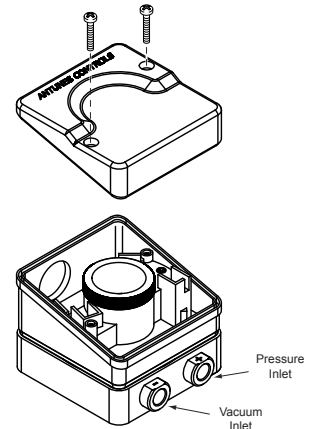
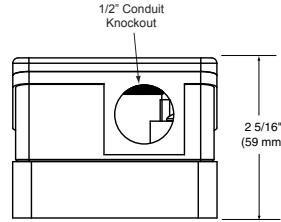
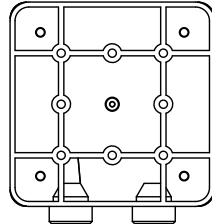
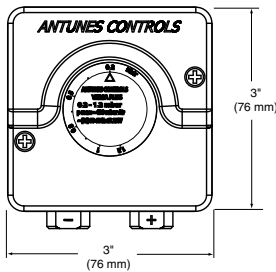
For more information about Antunes Controls and its products, call (630) 784-1000 or visit [www.antunescontrols.com](http://www.antunescontrols.com).



# VERSA PLUS Air Pressure Switch

## Dimensions

(NPT base shown)



NOTE: Dimensions are for reference only.

## Ranges Available

Model	Part No.	W.C.	mbar
<i>NPT Switches (activate on pressure fall/vertical mount)</i>			
FAN 1.2	8281001001	.08"–.5"	0.2–1.2
FAN 010	8281002010	.5"–4"	1.2–10
<i>NPT Switches (activate on pressure rise/horizontal mount)</i>			
FAN 050	8281003050	1"–20"	2.5–50
<i>Hose Barb Switches (activate on pressure fall/vertical mount)</i>			
FAB 1.2	8291001001	.08"–.5"	0.2–1.2
FAB 010	8291002010	.5"–4"	1.2–10
<i>Hose Barb Switches (activate on pressure rise/horizontal mount)</i>			
FAB 050	8291003050	1"–20"	2.5–50

## Maintenance

No specific maintenance is required. However, it is recommended that all wiring be inspected for loose connections and damaged wires. Disconnect power to the panel before performing any maintenance. Replace any damaged wires and tighten all connections.

## Specifications

### Electrical Ratings:

6A @ 120 VAC  
 6A @ 240 VAC  
 1/8 HP, 120 & 240 VAC  
 Integrated S.P.D.T. contacts

### Adjustable Operating Pressure:

0.2 to 50 mbar (different ranges)

### Max. Surge Pressure:

7 PSI (482 mbar)

### Pressure Connections:

1/8" NPT positive & vacuum ports; 1/4" hose barb OD.

### Ambient Operating Temperature:

5°F to 180°F (-15°C to 82°C)

Field wiring to be rated @ 90°C (194°F) for maximum ambient

### Shipping Weight:

.5 lbs. (.227 kg)

### Options:

Mounting brackets can be oriented in any of the 90° positions.

**Limitation of Liability.** If it is understood and agreed that seller's liability whether in contract, in tort, under any warranty, in negligence or otherwise, shall not exceed the return of the amount of the purchase price paid by purchaser and under no circumstances shall seller be liable for special, indirect or consequential damages. The price stated for the equipment is a consideration in limiting seller's liability. No action, regardless of form, arising out of the transactions may be brought by purchaser more than one year after the cause of action has accrued.

P/N 1020275 Rev. E 12/12