

V-9502 Positioner for Valves with V-3000-1 Actuator

Installation Instructions

V-9502-xxx

Part No. 14-251-6, Rev. A
Issued March 25, 2008

Installation

1. Remove the V-3000-1 Actuator from the valve.
2. Remove the upper spring seat and install the new upper spring seat (Figure 1).
3. Attach the feedback connector to the upper spring seat with a flat-head screw (Figure 1). Leave the screw loose until you reach Step 8.

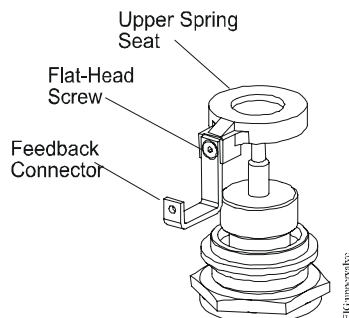


Figure 1: Upper Valve Detail

4. Remove the straight barbed fitting on the actuator and replace it with the elbow fitting (Figure 1).
5. Remove the cap and eight screws shown in Figure 2 and Figure 3. Remove the diaphragm and piston cup from the actuator. Replace the existing piston cup and diaphragm with the new ones provided in the kit. Place the diaphragm and piston cup assembly back in the actuator and replace the cap. Replace the screws except the 2 screws noted in Figure 2 (12-16 lb-in [1.3-1.8 N-m] torque recommended).

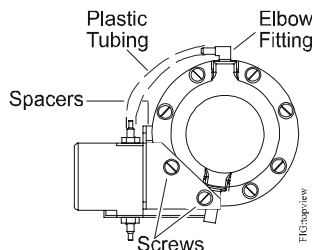


Figure 2: Top View Detail

6. Using two spacers and two long screws, mount the positioner to the actuator as shown in Figure 3.
7. Connect the positioner to the actuator using plastic tubing.
8. Place the actuator over the valve spring assembly. Before tightening the actuator down on the valve, make sure to tighten the flat-head screw holding the feedback connector on the upper spring plate. Tighten the actuator down on the valve bonnet.
9. Attach the feedback spring to the positioner in the first hole shown and attached to the feedback connector (Figure 3).
10. Adjust the positioner starting point to suit your application.

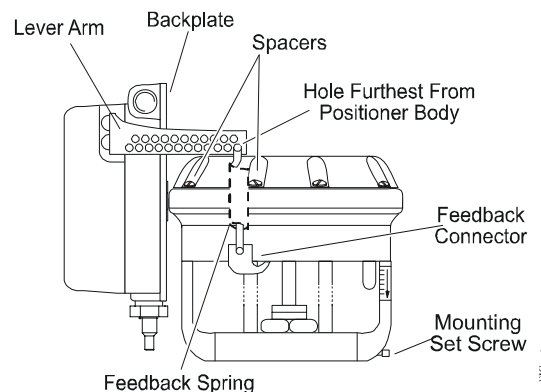


Figure 3: Actuator and Positioner Assembly

Table 1: Approximate Spans

Valve Lift	Spring Code Number			
	V-9502-20	V-9502-19	V-9502-100	V-9502-101
5/16 in. (7.9 mm)	3 psi (20.7 kPa)	8 psi (55.1 kPa)	--	--
3/8 in. (9.5 mm)	4 psi (27.6 kPa)	9.5 psi (65.4 kPa)	--	--
1/2 in. (12.7 mm)	5 psi (34.4 kPa)	12 psi (82.7 kPa)	3.6 psi (24.8 kPa)	7.0 psi (48.2 kPa)
3/4 in. (19 mm)	--	--	5.1 psi (35.1 kPa)	10.6 psi (73.0 kPa)



Building Efficiency
507 E. Michigan Street, Milwaukee, WI 53202

*Metasys® and Johnson Controls® are registered trademarks of Johnson Controls, Inc.
All other marks herein are the marks of their respective owners. © 2008 Johnson Controls, Inc.*