

**V-9999-BC1 Mounting Kit to Mount  
VA-715x or VA-720x Series Electric Actuators  
to Barber-Colman® 1/2 through 1-1/4 inch VB-9xxx  
Valve Bodies**

The V-9999-BC1 Mounting Kit is designed to mount a VA-715x or VA-720x Series Electric Actuator to a Barber-Colman valve (up to a maximum stroke of 3/4 inch). Refer to the *VA-715x Electric Valve Actuator* or the *VA-720x Electric Valve Actuator* product/technical bulletins in the *Valve and Actuator Manual (FAN 977)* for complete actuator setup and calibration instructions.

Note: To mount M100 Series Actuators to the same valve sizes or greater, refer to the *Y20EBA Linkage Kit, M100 to Barber-Colman Valves Technical Bulletin* in the *Valve and Actuator Manual (FAN 977)* for the appropriate linkage kit code number.

**Kit Includes (See Figure 1.)**

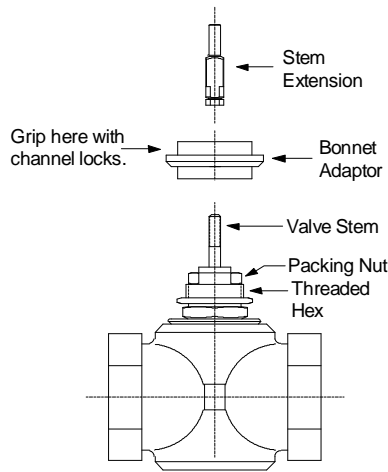
---

- bonnet adapter
- stem extension
- instruction sheet

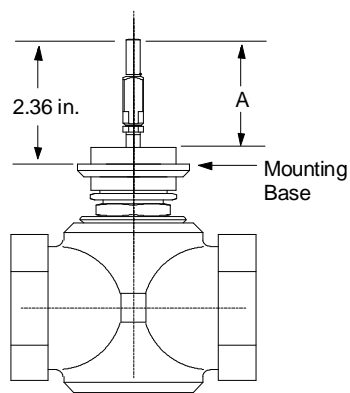
**Tools Required**

---

- two 3/8 inch open-ended wrenches
- two channel locks, medium



**Figure 1: Exploded View of Mounting Kit Assembly to a Barber-Colman Valve**



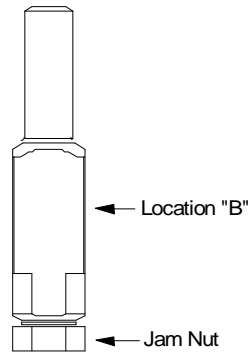
**Figure 2: Mounting Kit Assembly Dimensions**

**Table 1: Mounting Kit Assembly "A" Dimensions, in./mm**

Normally Open Stem Up (1/2 in. Stroke)	Normally Closed Stem Up (1/2 in. Stroke)	Mixing Stem Up (3/8 in. Stroke)
2-1/8 (54)	2-1/8 (54)	2-1/8 (54)

### Assembly Procedures

1. Screw the bonnet adaptor fully onto the threaded hex.
2. Use one pair of channel locks to secure the threaded hex on the valve body and another pair of channel locks to grip the bonnet adaptor and tighten it to the valve body. (See Figure 1.)
3. Move the valve stem to the stem up position.
4. Thread the stem extension onto the valve stem.
5. Position the stem extension so that Dimension "A" is equal to the appropriate height as listed in Table 1. (See Figure 2.)



**Figure 3: Stem Extension**

6. The stem extension includes a self contained jam nut. To secure the stem extension to the stem, hold the stem extension with a 3/8 inch wrench at location "B". Screw the jam nut clockwise 1/8 of a turn minimum to break lock nut free and tighten against the stem extension. This will lock the stem extension onto the valve stem. (See Figure 3.)
7. To correctly mount the actuator to the valve, refer to the appropriate actuator bulletin which corresponds to the selected actuator.
8. The mounting kit and actuator have now been correctly assembled to the valve.

