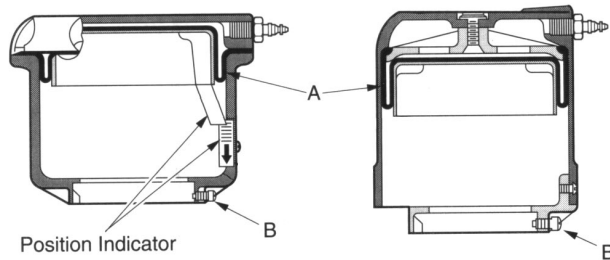


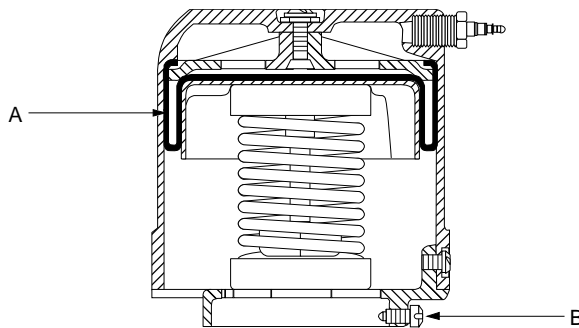
## Valve Repair Parts

### Replacement Diaphragms for V-3000 Actuators



Callout	Description	Code Number	Shipping Weight
A	Diaphragm for Exposed Actuator V-3000-1 only	V-3000-600	0.06 (0.03)
	Diaphragm for Enclosed Actuator V-3000-2 and V-3000-8003	V-3000-601	0.09 (0.04)
B	10-32 x 1/2 UNF-2A Set Screw	V-3100-643	.01 (.005)

### Replacement Diaphragms for V-3000-8003 Actuators

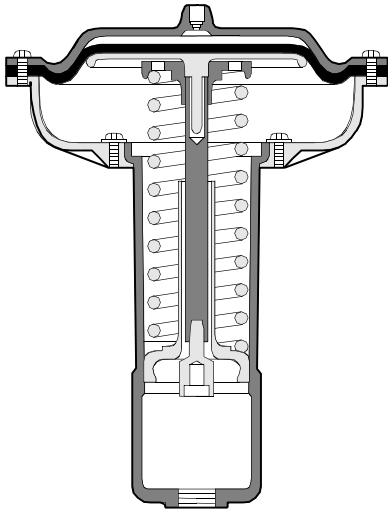


Callout	Description	Code Number	Shipping Weight
A	Diaphragm (V-3000-8003 only)	V-3000-601	0.09 lb (0.04 kg)
B	10-32 x 1/2 UNF-2A Set Screw	V-3100-643	0.01 lb (0.005 kg)

### Replacement Diaphragms for V-400 and V-500 Series Pneumatic Actuators

Description	Code Number
Diaphragm for V-400 Series Valve Actuator	V-4710-602
Diaphragm for V-500 Series Valve Actuator	V-4710-603

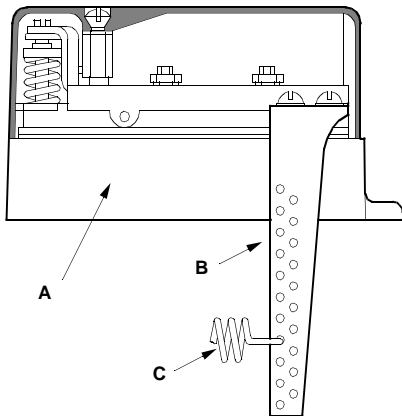
## Replacement Actuators and Diaphragms for V-5252, V-5462, and V-5842 Valves



Code Number		Description				
Complete Actuator	Diaphragm Only					
		Actuator Complete: Includes Yoke and Spring Capsule (Assembled)				
		Actuator Size	Spring Range (psig)	Valve Size (in.)	Stroke (in.)	Valve Body Style *
V-5252-621	V-4710-602	4R	2 to 5	2-1/2, 3	3/4	N.O.
V-5252-622			9 to 13	2-1/2, 3	3/4	N.O.
V-5252-623	V-4710-603	5R	2 to 5	2-1/2, 3	3/4, 1-1/8	N.O.
V-5252-624			2 to 5	4	1-1/8	N.O.
V-5252-625			9 to 13	2-1/2, 3	3/4, 1-1/8	N.C./MX
V-5252-626			9 to 13	4	1-1/8	N.C.
V-5252-627	V-4710-604	8R	2 to 5	4, 5	1-1/8 & 1-3/8	N.O.
V-5252-628			2 to 5	6	1-1/2	N.O.
V-5252-629			9 to 13	4, 5	1-1/8 & 1-3/8	N.C./MX
V-5252-630			9 to 13	6	1-1/2	N.C./MX

\* N.O. = Two-way normally open (V-5252-)  
 N.C. = Two-way normally closed (V-5462-)  
 MX = Three-way mixing (V-5842-).

## Repair Parts For Use With V-9502 Pneumatic Valve Actuator Positioner



Code Number	Callout	Description
C-9506-1	A	Positioner Movement Complete Less Items "B" and "C"
D-9502-604	B	Operating Span Lever Arm Assembly
Refer to the <i>Valve Spring Kits Table</i> on Page 23	C	Springs

## Repair and Maintenance Parts for Use with Electric or Pneumatic VG7000 Series 1/2 Through 2 in. Valves

### Spring Kits for VG7000 Series Valves

Actuator Style	Valve Size in. (DN)	Spring Range psig (kPa)	Spring Kit Code Number
V-3000-8001 and V-3000-8003	1/2 or 3/4 (DN15 or DN20) (5/16 in. Stroke)	3 to 6 (21 to 42)	VG7000-1001**
		4 to 8 (28 to 56)	VG7000-1002**
		9 to 13 (63 to 91)	VG7000-1003**
V-3000-8001 and V-3000-8003	1 or 1-1/4 (DN25 or DN32) (1/2 in. Stroke)	3 to 6 (21 to 42)	VG7000-1004**
		4 to 8 (28 to 56)	VG7000-1005**
		9 to 13 (63 to 91)	VG7000-1006**
V-3000-8001 and V-3000-8003	1-1/2 or 2 (DN40 or DN50) (3/4 in. Stroke)	3 to 6 (21 to 42)	VG7000-1007**
		4 to 8 (28 to 56)	VG7000-1008**
		9 to 13 (63 to 91)	VG7000-1009**
V-3801-8001	1/2 or 3/4 (DN15 or DN20) (5/16 in. Stroke)	3 to 6 (21 to 42)	VG7000-1010**
		4 to 8 (28 to 56)	VG7000-1011**
		9 to 13 (63 to 91)	VG7000-1012**
V-3801-8001	1/2 or 3/4 (DN15 or DN20)	Kit with three springs: 3 to 6, 4 to 8, and 9 to 13 (Includes hardware to adapt to one valve only.)	VG7000-1015**
V-400	1/2 or 3/4 (DN15 or DN20)	Not Applicable	VG7000-1013 ***
V-400	1 through 2 (DN25 through DN50)	Not Applicable	VG7000-1014 ***
V-500	Not Available for Field Mounting		

\* DN is the European designation for body size in metric units "mm."

\*\* The spring kit includes: upper spring seat, spring, stem extension, and stem locking screw (set screw).

\*\*\* Mounting adaptor only. Spring is in actuator.

**Note: All spring/linkage kits are for use with valves with standard threaded stem design.**

### Maintenance Parts

Description	Code Number
<b>Ring Pack Packing Kits for Brass Trim Valves:</b>	
Single Pack for 1/4 in. Stem (1/2 or 3/4 in. Valve)	<b>VG7000-6001</b>
Single Pack for 3/8 in. Stem (1 through 2 in. Valve)	<b>VG7000-6002</b>
10 Pack for 1/4 in. Stem (1/2 or 3/4 in. Valve)	<b>VG7000-6003</b>
10 Pack for 3/8 in. Stem (1 through 2 in. Valve)	<b>VG7000-6004</b>
<b>PTFE V-Ring Packing Kits for Stainless Steel Trim Valves:</b>	
Single Pack for 1/4 in. Stem, SS Trim (1/2 or 3/4 in. Valve)	<b>VG7000-6011</b>
Single Pack for 3/8 in. Stem, SS Trim (1 through 2 in. Valve)	<b>VG7000-6012</b>

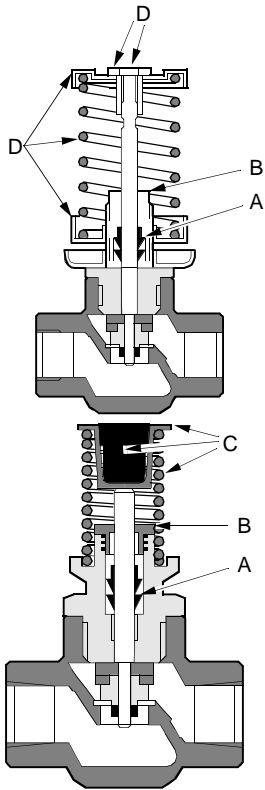
### Linkage Kits for VG7000 Series Valves

Actuator Style	Valve Size in. (DN)*	Spring Range psig (kPa)	Linkage Kit Code Number
M110	1/2 through 2 (DN15 through DN50)	Not Applicable	VG7000-M110
M120/M130	1/2 through 2 (DN15 through DN50)	Not Applicable	VG7000-M130
M140	1/2 through 2 (DN15 through DN50)	Not Applicable	VG7000-M140
M150	1/2 through 2 (DN15 through DN50)	Not Applicable	VG7000-M150
VA-715x	1/2 through 2 (DN15 through DN50)	Not Applicable	None Required
VA-720x	1 through 2 (DN25 through DN50)	Not Applicable	None Required
M9x16	1/2 through 2 (DN15 through DN50)	Not Applicable	M9000-500

\* DN is the European designation for body size in metric units "mm."

**Note: All spring/linkage kits are for use with valves with standard threaded stem design.**

## Repair Parts For Use With Electric or Pneumatic VT Series Terminal Unit Valves 1/2 in., Two-Way and Three-Way



V-3000-1 or  
V-3000-2  
Field Mounting  
(VTM-TN###-01#)

V-4000-1 or  
V-3802-1  
Field Mounting  
(VTM-TN###-09#)

Code Number	Callout	Description
	A	Ring Pack Packing Kits:
V-9999-608		Single-Pack
V-9999-610		Ten-Pack (Contains Enough Material to Repack 10 Valves)
V-9999-630		Fifty-Pack (Contains U-Cups and O-Rings only to Repack 50 Valves)
V-9999-649	B	Packing Nut for all VT Styles

### Spring Kits for VT Valves

Spring Kit	Callout	Spring Range	Actuator	Valve Size	Valve Body
V-9999-6001*	C	3-6	V-3802 or V-4000	1/2	VT Series
V-9999-6002*		4-8			
V-9999-6003*		9-13			
V-3752-6023**	D	3-6	V-3000		
V-4332-6001**		4-8			
V-3752-6022**		9-13			

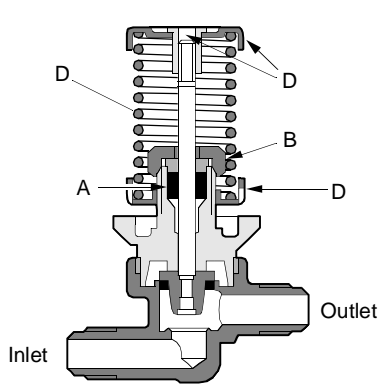
\* Kit Includes: Spring, Upper Spring Seat, Upper Spring Seat Retainer, Instruction.

\*\* Kit Includes: Spring, Upper and Lower Spring Seat, Stem Extension, Stem Lock Screw, Instructions

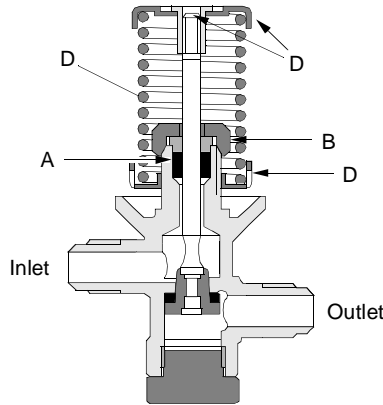
### Tailpiece and Nut for VT Valves

Code Number	Description	Size	Valve Size	Valve Body
V-9999-663	Tailpiece	3/8 inch tube	1/2 inch	VT Series
V-9999-664	Tailpiece	1/2 inch tube	1/2 inch	
V-9999-665	Tailpiece	3/4 inch tube	1/2 inch	
V-9999-666	Nut	3/8 and 1/2 inch tube	1/2 inch	
V-9999-667	Nut	3/4 inch tube	1/2 inch	

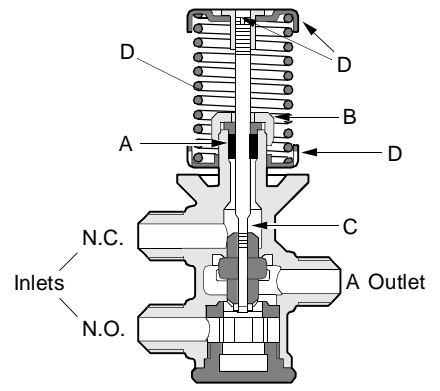
**Repair Parts For 1/2 in. Flare Valves for Use With V-3766, V-3966, V-4332, VB-3766, VB-3966, VB-4332 AV-8050, AV-8051, and AV-8052 (Flare Valve Assemblies)**



**V-3766, Normally Open  
Push-down-to-close**



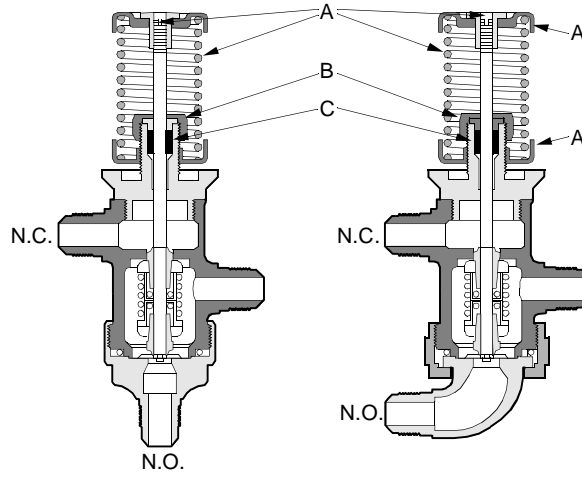
**V-3966, Normally Closed  
Push-down-to-open**



**V-4332,  
3-Way Mixing**

Code Number	Callout	Description	
		<b>Ring Pack Packing Kits:</b>	
V-9999-608	A	Single-Pack	
V-9999-610		10-Pack (Contains Enough Material to Repack 10 Valves)	
V-9999-630		50-Pack (Contains U-Cups and O-Rings only to Repack 50 Valves)	
V-3752-646	B	<b>Gland Nut</b>	
	C	<b>Stem and Disc Assembly: Includes Valve Stem, Upper and Lower Modulating Plug, Lock Pins, Disc and Swivel, Packings, and Lower O-Ring</b>	
		Valve Size (in.)	Max Cv
V-4332-615		1/2 (V-4332, VB-4332)	1.2
V-4332-616	1/2 (V-4332, VB-4332)	2.0	
	D	<b>Spring Kit: Spring, Upper and Lower Spring Seat, Stem Extension and Lock Screw, Instructions</b>	
		Valve Size (in.)	Range (PSIG)
V-3754-6009		1/2	9 to 13 (V-3966 only)
V-4332-6001		1/2	4 to 8 (V-4332 only)
V-3752-6022		1/2	9 to 13 (V-4332 only)
V-3754-6010	1/2	3 to 6 (V-3766 only)	

## Repair Parts For Use With V-4334 5/8 in. Flare Valve



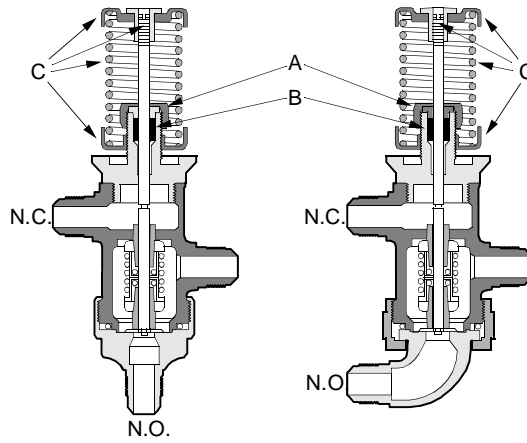
Code Number	Callout	Description			
		Range (psig)	Valve Size (in.)	Stroke (in.)	
V-4332-6001	A	Springs:	4 to 8	5/8	0.313
V-3752-6022			9 to 13	5/8	0.313
V-3752-646	B	Gland Nut			
V-9999-608	C	Ring Pack Packing Kits:	Single-Pack		
V-9999-610			10-Pack (Contains Enough Material to Repack 10 Valves)		
V-9999-630			50-Pack (Contains U-Cups and O-Rings only to Repack 50 Valves)		

### Recondition Kits \*

Code Number	Valve Size	Cv
V-4334-6001	5/8 in.	4.7

\* Recondition Kit Includes: Cage, O-ring, Plug, Stem, Bonnet, Packing, Packing Nut, Instructions

## Repair Parts For Use With V-4440 Water Valve 1/2 and 5/8 in. For 3- and 4-Pipe Systems



Code Number	Callout	Description	
V-3752-646	A	Gland Nut	
	B	Ring Pack Packing Kits:	
V-9999-608		Single-Pack	
V-9999-610		10-Pack (Contains Enough Materials to Repack 10 Valves)	
V-9999-630		50-Pack (Contains U-Cups and O-Rings Only to Repack 50 Valves)	
	C	Main Springs:	
		Range (psig)	Valve Size (in.)
V-4440-6001		6 to 9	1/2
V-4440-6002		4 to 12	1/2
V-4440-6001		6 to 9	5/8
V-4440-6002	4 to 12	5/8	

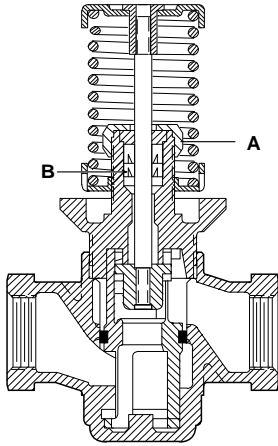
\* N.O. = Normally open  
N.C. = Normally closed

### Recondition Kits \*

Code Number	Valve Size	Spring Range	Cv
V-4440-6003	1/2	4 to 12	1.4
V-4440-6004			2.4

\* Recondition Kit Includes: Cage, O-ring, Plug, Stem, Bonnet, Packing, Packing Nut, Instructions

## Repair Parts For Cage Trim Valve For Use With V-3754 with Actuator and VB-3754 without Actuator (Including 1/2 in.)



Code Number	Callout	Description	V-3754	VB-3754
V-3752-646	A	Gland Nut (Packing Nut)	X	X
	B	Ring Pack Packing Kits		
V-9999-608		Single Pack	X	X
V-9999-610		10-Pack (Contains Enough Materials to Repack 10 Valves)	X	X
V-9999-630		50-Pack (Contains U-Cups and O-Rings only to Repack 50 Valves)	X	X

Note: 1/2 inch valve assemblies discontinued in 1991.  
VB valves used with AV-8050, AV-8051, AV-8052, AV-8090, AV-8091, and AV-8092 assemblies

Springs are under compression. Removal of springs requires use of spring compression tool JC 5389.

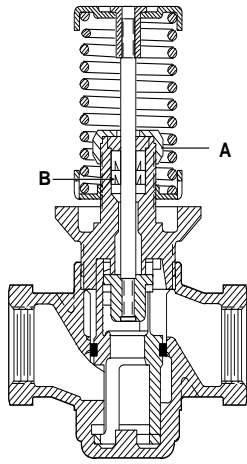
Code Number	Valve Size	Actuator Size	Spring Range	Spring Kit *	Recondition Kits**
V-3754	1/2	V-3000	3-6	V-3754-6010	V-3754-6003 (C <sub>V</sub> = 0.20), or V-3754-6004 (C <sub>V</sub> = 0.40) or V-3754-6005 (C <sub>V</sub> = 1.20), or V-3754-6006 (C <sub>V</sub> = 2.20) or V-3754-6007 (C <sub>V</sub> = 4.40)
			9-13	V-3754-6009	
	3/4		3-6	V-3754-6010	V-3754-6001 (C <sub>V</sub> = 8.6)
			9-13	V-3754-6009	
	1		3-6	V-3754-6011	V-3754-6002 (C <sub>V</sub> = 13.9)
			9-13	V-3754-6008	
	1-1/2		3-6	V-3754-6011	V-5254-6001 (C <sub>V</sub> = 27.5)
			9-13	V-3754-6008	

\* Spring Kit Includes: Upper & Lower Spring Plate, Spring, Stem Connector, Stem Lock Screw, Instructions

\*\* Recondition Kit Includes: Cage, O-ring, Plug, Stem, Bonnet, Packing, Packing Nut, Instructions



## Repair Parts For Use With V-4324 with Actuator and VB-4324 without Actuator (Including 1/2 in.)



Code Number	Callout	Description	V-3754	VB-3754
V-3752-646	A	Gland Nut (Packing Nut)	X	X
	B	Ring Pack Packing Kits		
V-9999-608		Single Pack	X	X
V-9999-610		10-Pack (Contains Enough Material to Repack 10 Valves)	X	X
V-9999-630		50-Pack (Contains U-Cups and O-Rings only to Repack 50 Valves)	X	X

Note: 1/2 inch valve assemblies discontinued in 1991.

VB valves used with AV-8050, AV-8051, AV-8052, AV-8090, AV-8091, and AV-8092 assemblies

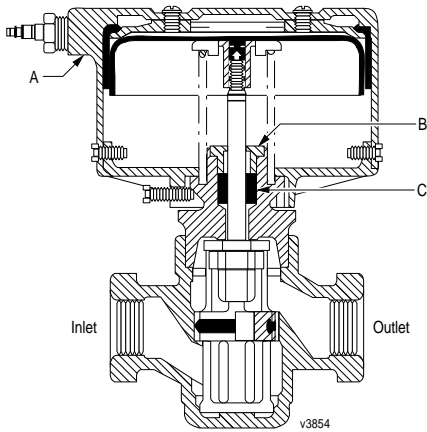
Springs are under compression. Removal of springs requires use of spring compression tool JC 5389.

Code Number	Valve Size	Actuator Size	Spring Range	Spring Kit *	Recondition Kits**
V-4324	1/2 in.	V-3000	4-8	V-3974-6008	V-4324-6003 (C <sub>V</sub> = 1.20), or V-4324-6004 (C <sub>V</sub> = 2.20), or V-4324-6005 (C <sub>V</sub> = 4.40)
			9-13	V-3754-6009	
	3/4 in.		4-8	V-3974-6008	V-4324-6001 (C <sub>V</sub> = 8.6)
			9-13	V-3754-6009	
	1 in.		4-8	V-3974-6009	V-4324-6002 (C <sub>V</sub> = 13.9)
			9-13	V-3754-6008	
	1-1/2 in.		4-8	V-3974-6009	V-5844-6001 (C <sub>V</sub> = 27.5)
			9-13	V-3754-6008	

\* Spring Kit Includes: Upper & Lower Spring Plate, Spring, Stem Connector, Stem Lock Screw, Instructions

\*\* Recondition Kit Includes: Cage, O-ring, Plug, Stem, Bonnet, Packing, Packing Nut, Instructions

## Repair Parts For Use With V-3854 with Oval Top Actuator



Code Number	Callout	Description
V-3802-1	A	Oval Actuator
V-3800-660	B	Packing Nut
		Ring Pack Packing Kits
V-9999-608		Single Pack
V-9999-610	C	10-Pack (Contains Enough Material to Repack 10 Valves)
V-9999-630		50-Pack (Contains U-Cups and O-Rings only to Repack 50 Valves)

**Note:** Discontinued in 1991. See VT valves for full unit replacements.

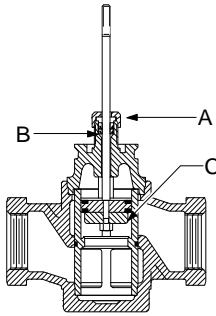
### Spring Kits

Code Number	Valve Size	Actuator Size	Spring Range	Spring Kit
V-3854	1/2 inch	V-3802	3-6	V-3754-6012
			9-13	V-3754-6013

Spring Kit Includes: Upper Spring Seat, Spring, Stem Extension, Lock Screw, Installation Instructions

## Repair Parts For Use With: V-5254, V-5464, and V-5844 with V-5252 Size 4R Actuators

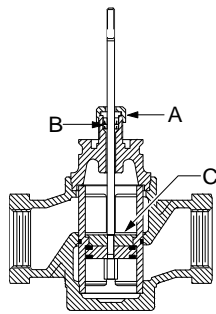
### V-5254



Code Number	Callout	Description
V-3752-646	A	Packing Nut
	B	Ring Pack Packing Kits
V-9999-608		Single Pack
V-9999-610		10-Pack (Contains Enough Material to Repack 10 Valves)
V-5254-630		50-Pack (Contains U-Cups and O-Rings only to Repack 50 Valves)
V-5254-6001	C	Recondition Kit* 1-1/2 inch Valve, 4R Actuator
V-5254-6002		Recondition Kit* 2 inch Valve, 4R Actuator

\* Kit Includes: Cage, Nut, Plug, Disc, O-ring, Stem, Bonnet, Packing, Packing Nut, Instructions

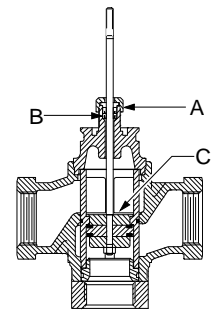
### V-5464



Code Number	Callout	Description
V-3752-646	A	Packing Nut
	B	Ring Pack Packing Kits
V-9999-608		Single Pack
V-9999-610		10-Pack (Contains Enough Material to Repack 10 Valves)
V-9999-630		50-Pack (Contains U-Cups and O-Rings only to Repack 50 Valves)
V-5464-6001	C	Recondition Kit* 1-1/2 inch Valve, 4R Actuator
V-5464-6002		Recondition Kit* 2 inch Valve, 4R Actuator

\* Kit Includes: Cage, Nut, Plug, Disc, O-Ring, Stem, Bonnet, Packing, Packing Nut, Instruction

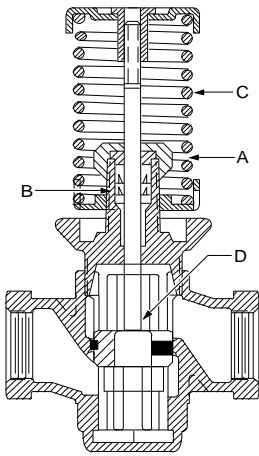
### V-5844



Code Number	Callout	Description
V-3752-646	A	Packing Nut
	B	Ring Pack Packing Kits
V-9999-608		Single Pack
V-9999-610		10-Pack (Contains Enough Material to Repack 10 Valves)
V-9999-630		50-Pack (Contains U-Cups and O-Rings only to Repack 50 Valves)
V-5844-6001	C	Recondition Kit* 1-1/2 inch Valve, 4R Actuator
V-5844-6002		Recondition Kit* 2 inch Valve, 4R Actuator

\* Kit Includes: Cage, Nut, Plug, Disc, O-ring, Stem, Bonnet, Packing, Packing Nut, Instruction

## Repair Parts For Use With: V-3974 with Actuator and VB-3974 without Actuator (Including 1/2 in.)



Code Number	Callout	Description	V-3754	VB-3754
V-3752-646	A	Gland Nut (Packing Nut)	X	X
		Ring Pack Packing Kits		
V-9999-608	B	Single Pack	X	X
V-9999-610		10-Pack (Contains Enough Material to Repack 10 Valves)	X	X
V-9999-630		50-Pack (Contains U-Cups and O-Rings only to Repack 50 Valves)	X	X

**Note:** 1/2 inch valve assemblies discontinued in 1991.

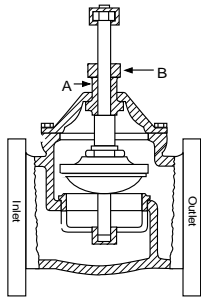
VB valves used with AV-8050, AV-8051, AV-8052, AV-8090, AV-8091, and AV-8092 assemblies

Springs are under compression. Removal of springs requires use of spring compression tool JC 5389.

Code Number	Valve Size	Actuator	Spring Range	Spring Kit	Recondition Kit
V-3974	1/2 & 3/4	V-3000	4-8	V-3974-6008	1/2 in: V-3974-6003 or -6004 or -6005 or -6006 or V-3974-6007 3/4 in: V-3974-6001
			9-13	V-3754-6009	
	1 & 1-1/2	V-3000	4-8	V-3974-6009	1 in: V-3974-6002 1-1/2 in: V-5464-6001
			9-13	V-3754-6008	
				C	D

Spring Kit Includes: Spring, Upper & Lower Spring Seat, Stem extension, Stem Lock Screw, Instructions  
 Recondition Kit: Cage, O-ring, Plug, Stem, Bonnet, Packing, Packing Nut, Instructions

### Repairs Parts For Iron Flanged Globe Valves, 2-1/2 Through 6 in. For Use With V-5252 and VB-3752

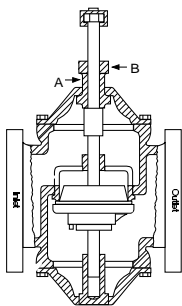


Code Number	Callout	Description		
	A	Packing Kit:		
		Valve Size (in.)	Actuator Size	Type of Packing
V-9999-613		2-1/2 through 4	(VB-3752)	EPDM Ring Pack
V-9999-613		2-1/2 through 4	4R and 5R	EPDM Ring Pack
V-5252-668		4 through 6	8R	EPDM Ring Pack
	B	Packing Nuts for:		
		Actuator Size	Valve Size	Stem Diameters
V-4510-6019		4R	2-1/2 through 3	3/8 in.
V-4510-6019		5R	2-1/2 through 4	3/8 in.
V-5252-609		8R	4 through 6	1/2 in.

Code Number	Valve Size	Actuator	Recondition Kits
V-5252	2-1/2	4R or 5R	V-5252-6001 5R or V-5252-6002 4R*
	3	4R or 5R	V-5252-6003 5R or V-5252-6004 4R*
	4	5R or 8R	V-5252-6005 5R or V-5252-6006 8R*
	5	8R	V-5252-6007*
	6	8R	V-5252-6008*

\* Kit Includes: Stem, Packing Nut, Follower, Packing Box, Packing, Bonnet, Gasket, Swivel, Pins, Disc Holder, Screws, Disc Retainer, Disc, Spacer, Guide Rod, Swivel Nut, Packing Spacer, Packing Tools, Instructions

### Repairs Parts For Iron Flanged Globe Valves, 2-1/2 Through 6 in. For Use With V-5462 and VB-3970

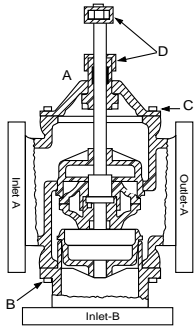


Code Number	Callout	Description		
	A	Packing Kit:		
		Valve Size (in.)	Actuator Size	Type of Packing
V-9999-613		2-1/2 through 4	(VB-3970)	EPDM Ring Pack
V-9999-613		2-1/2 through 4	5R	EPDM Ring Pack
V-5252-668		3 through 6	8R	EPDM Ring Pack
	B	Packing Nuts for:		
		Actuator Size	Valve Size	Stem Diameter
V-4510-6019		5R	2-1/2 through 4	3/8 in.
V-5252-609		8R	4 through 6	1/2 in.

Code Number	Valve Size	Actuator	Recondition Kits**
V-5462	2-1/2	5R	V-5462-6001*
	3	5R or 8R	V-5462-6002 5R or V-5462-6003 8R*
	4	5R or 8R	V-5462-6004 5R or V-5462-6005 8R*
	5	8R	V-5462-6006*
	6	8R	V-5462-6007*

\* Kit Includes: Stem, Packing Nut, Follower, Packing Box, Packing, Bonnet, Gasket, Swivel, Pins, Disc Holder, Screws, Disc Retainer, Disc, Spacer, Packing Spacer, Swivel Nut, Spacer, Packing Tools, Instructions

## Repairs Parts For Iron Flanged Globe Valves, 2-1/2 Through 6 in. For Use With V-5842 and VB-4322



Code Number	Callout	Description		
	A	Packing Kit:		
		Valve Size (in.)	Actuator Size	Type of Packing
V-9999-613		2-1/2 through 4	(VB-4322)	EPDM Ring Pack
V-9999-613		2-1/2 and 3	5R	EPDM Ring Pack
V-5252-668		3 through 6	8R	EPDM Ring Pack
<b>Purchase Locally Qty. Req'd Per Valve</b>	B	Lower Cap Screws		
		Valve Size (in.)	Screw Size (in.)	
6		2-1/2	1 x 5/16 - 18	
6		3	1 x 3/8 - 16	
8		4	1-1/4 x 3/8 - 16	
8		5	1-1/4 x 1/2 - 13	
	C	Upper Cap Screws		
		Valve Size (in.)	Screw Size (in.)	
6		2-1/2	3/4 x 5/16 - 18	
6 and 8		3 and 4	7/8 x 3/8 - 16	
8 and 10	5 and 6	1 x 1/2 - 13		
	D	Packing Nuts for:		
		Valve Size (in.)	Actuator Size	
V-5452-619		2-1/2 and 3	5R	
V-5462-620		4 through 6	8R	

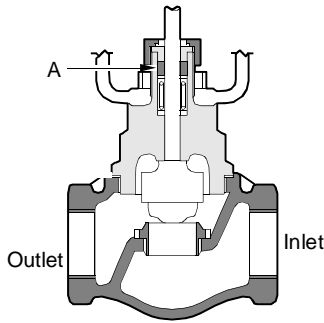
Code Number	Valve Size	Actuator	Recondition Kits
V-5842	2-1/2	5R	V-5842-6001*
	3	5R or 8R	V-5842-6002 5R or V-5842-6003 8R*
	4	5R or 8R	V-5842-6004 (Elect) or V-5842-6005 8R*
	5	8R	V-5842-6006*
	6	8R	V-5842-6007*

\* Kit Includes: Stem, Packing Nut, Follower, Packing Box, Packing, Bonnet, Gasket, Swivel, Pins, Disc Holder, Screws, Lower Plug, Upper Plug, Guide Rod, Packing Spacer, Packing Tools, Instructions

## Replacement Actuator Selection Chart For Use With V-5252, V-5462, and V-5842

Code Number	Stroke (in.)	Spring Range	Size	Minimum Effective Diaphragm Area (In. <sup>2</sup> )	Body Size (in.)	Style
V-5252-621	3/4	2 - 5	4R	20	2-1/2	N.O.
V-5252-622		9 - 13			2-1/2	N.O.
V-5252-621	7/8	2 - 5	4R	20	3	N.O.
V-5252-622		9 - 13			3	N.O.
V-5252-623	3/4	2 - 5	5R	57	2-1/2	N.O.
V-5252-625		9 - 13			2-1/2	M.C. / MX
V-5252-623	7/8	2 - 5	5R	57	3	N.O.
V-5252-625		9 - 13			3	N.C. / MX
V-5252-629	7/8	9 - 13	8R	126	3	MX
V-5252-624	1-1/8	2 - 5	5R	57	4	N.O.
V-5252-626		9 - 13			4	N.C.
V-5252-627	1-1/8	2 - 5	8R	126	4	N.O.
V-5252-629		9 - 13			4	N.C. / MX
V-5252-627	1-3/8	2 - 5	8R	126	5	N.O.
V-5252-629		9 - 13			5	N.C. / MX
V-5252-628	1-1/2	2 - 5	8R	126	6	N.O.
V-5252-630		9 - 13			6	N.C. / MX

### Repair Parts For Use With V-7216 Two-Way Normally Open Steam or Water Valve

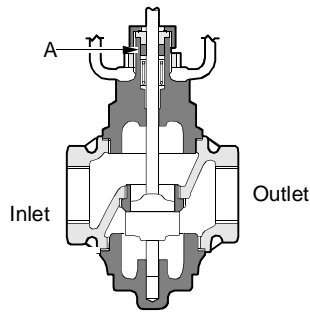


Code Number	Callout	Description	
	A	Packing Kits	
		Valve Size (in.)	Stem Size
V-9999-608 *		1/2 and 3/4	1/4
V-5290-6840 **		1/2 through 1	1/4
V-9999-613 *		1-1/4 through 2	3/8
V-5290-6841 **			

\* Low temperature use, less than or equal to 281° F (138 C°)

\*\* High temperature use, greater than 281° F (138 C°)

### Repair Parts For Use With V-7416 Two-Way Normally Closed Steam or Water Valve

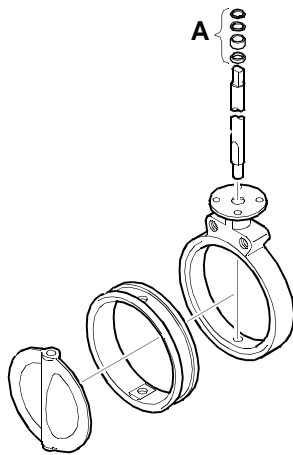


Code Number	Callout	Description	
	A	Packing Kits	
		Valve Size (in.)	Stem Size
V-9999-608 *		1/2 and 3/4	1/4
V-5290-6840 **		1/2 through 1	1/4
V-9999-613 *		1-1/4 through 2	3/8
V-5290-6841 **			

\* Low temperature use, less than or equal to 281° F (138 C°)

\*\* High temperature use, greater than 281° F (138 C°)

### Repair Parts For VF Series Butterfly Valves 2 Through 20 in., Two-Way and Three-Way



Valve Size (in.)	Callout	Stem Seal, Bushing, and Retainer Kit
2	A	VF-025-604
2-1/2		VF-025-604
3		VF-025-604
4		VF-040-604
5		VF-060-604
6		VF-060-604
8		VF-080-604

Valve Size (in.)	Callout	Stem Seal, Bushing, and Retainer Kit
10	A	VF-120-604
12		VF-120-604
14		VF-140-604
16		VF-160-604
18		VF-200-604
20		VF-200-604



## VF Series Butterfly Valve Field Actuator Mounting Parts, D-3153, D-3244 Actuators

### Piston Type Crank Arms for Two-Way Valves

Actuator Type	Actuator	Normally Closed	Normally Open
001	D-3153	VF-00X-601	VF-00X-602
002	D-3244	VF-00X-601	VF-00X-602
003	D-3246 single	VF-00X-601	VF-00X-602
005	D-3246 double	VF-00X-603	VF-00X-604

### Piston Type Crank Arms for Three-Way Valves

Actuator Type	Actuator	Location	D		E		F		G	
			NC	NO	NO	NC	NC	NO	NO	NC
001	D-3153	Master	VF-00X-603	—	VF-00X-604	—	VF-00X-604	—	VF-00X-603	—
		Slave	—	VF-00X-608	—	VF-00X-607	—	VF-00X-607	—	VF-00X-608
002	D-3244	Master	VF-00X-603	—	VF-00X-604	—	VF-00X-604	—	VF-00X-603	—
		Slave	—	VF-00X-608	—	VF-00X-607	—	VF-00X-607	—	VF-00X-608
003	D-3246 (Single)	Master	VF-00X-603	—	VF-00X-604	—	VF-00X-604	—	VF-00X-603	—
		Slave	—	VF-00X-606	—	VF-00X-605	—	VF-00X-605	—	VF-00X-606
005	D-3246 (Double)	Master	VF-00X-606	—	VF-00X-604	—	VF-00X-604	—	VF-00X-603	—
		Slave	—	VF-00X-606	—	VF-00X-605	—	VF-00X-605	—	VF-00X-606

### Mounting Bracket for Two-Way Valve

Code Number	Actuator Type	Actuator
VF-001-601	001	D-3153
VF-002-601	002	D-3244
VF-003-601	003	D-3246 (Single)
VF-005-601	005	D-3246 (Double)

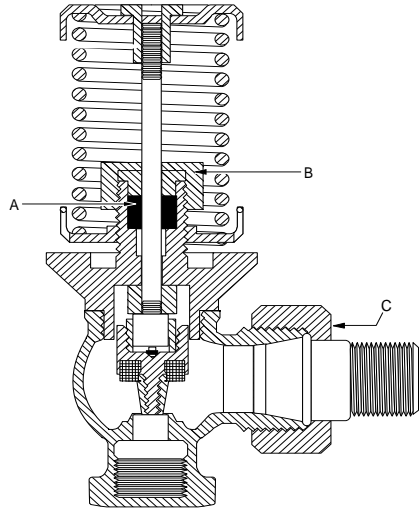
### Sleeve Adaptor for Crankarm to Valve Stem of Piston Actuators

Code Number	Valve Size (in.)
D-3244-500	4
D-3246-600	5, 6
D-3246-800	8
None required	10

### Clevis Kits for Field Repair or Installation of Piston Actuator

Actuator	Clevis
D-3153	D-3153-701
D-3244	D-3246-701
D-3246	D-3246-701
Three-Way Tandem Actuators	VF-3WAY-100

## Repair Parts For Use With V-3752 Normally Open Valves 1/2 through 2 inch



Code Number	Callout	Description
V-9999-608	A	Packing Kit
V-3752-646	B	Packing Nut
	C	Union Nut and Male Tailpiece Assembly for Valves with Union Connections
		Valve Size (in.)
V-3752-636		1/2
V-3752-637		3/4
V-3752-638		1
V-3752-639		1-1/4
V-111-6026		1-1/2
V-111-6027		2

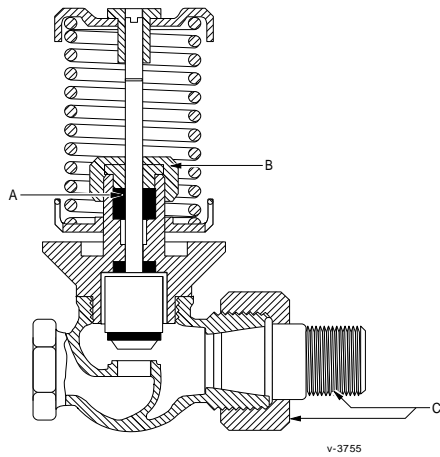
Note: The 1/2 through 2 inch size valves of this model were discontinued in 1979.

Code Number	Valve Size	Actuator Size	Spring Range	Spring Kit *	Recondition Kits **
V-3752	1/2 inch	V-3000	3-6	V-3752-6023	No kits available, replace valve.
			9-13	V-3752-6022	
	3/4 inch		3-6	V-3752-6023	V-3752-6016 (C <sub>V</sub> = 3.7) or V-3752-6027 (C <sub>V</sub> = 3.8)
			9-13	V-3752-6022	
	1 inch		3-6	V-3752-6024	V-3752-6017 (C <sub>V</sub> = 7) or V-3752-6028 (C <sub>V</sub> = 3.8)
			9-13	V-3752-6021	
	1-1/4 inch		3-6	V-3752-6024	V-3752-6018 (C <sub>V</sub> = 12) or V-3752-6019 (C <sub>V</sub> = 12)
			9-13	V-3752-6021	
	1-1/2 inch		3-6	V-3754-6010	V-3752-6020 (C <sub>V</sub> = 20) or V-3752-6030 (C <sub>V</sub> = 20)
			9-13	V-3754-6009	
	2 inch		3-6	V-3754-6010	V-3752-6034 (C <sub>V</sub> = 35) or V-3752-6031 (C <sub>V</sub> = 26)
			9-13	V-3754-6009	

\* Spring Kit Includes: Spring, Upper & Lower Spring Seat, Stem extension, Stem Lock Screw, Instructions

\*\* Recondition Kit Includes: O-ring, Swivel Nut, Washer, Disc, Disc holder, Contoured disc retainer, Pins, Swivel, Spacer, Stem, Bonnet, Packing, Packing Nut, Instructions

## Repair Parts For Use With V-3755 Normally Open Valves 1/2 through 2 inch



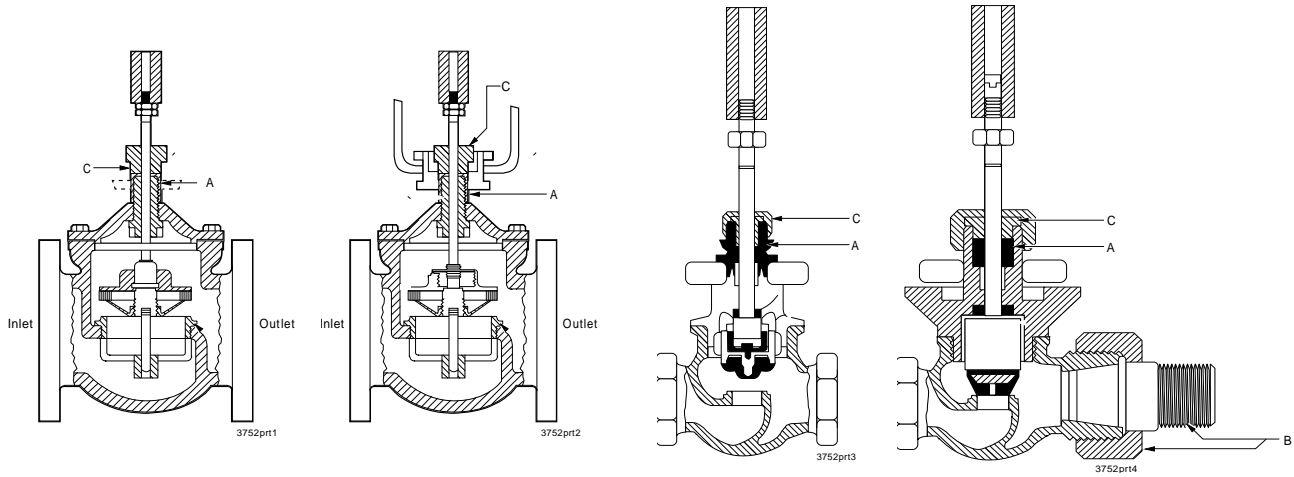
Code Number	Callout	Description
V-9999-608	A	Packing Kit
V-3752-646	B	Packing Nut
	C	Union Nut and Male Tailpiece Assembly for Valves with Union Connections
		Valve Size (in.)
V-3752-636		1/2
V-3752-637		3/4
V-3752-638		1
V-3752-639		1-1/4
V-111-6026		1-1/2
V-111-6027		2

Note: This model discontinued in 1974.

Code Number	Valve Size	Actuator Size	Spring Range	Spring Kit	Recondition Kits**
V-3755	1/2 inch	V-3000	3-6	V-3752-6023	No kits available, replace valve.
			9-13	V-3752-6022	
	3/4 inch		3-6	V-3752-6023	V-3755-6002 (C <sub>V</sub> = 5.2) or V-3755-6007 (C <sub>V</sub> = 9) or V-3755-6011 (C <sub>V</sub> = 6) or V-3755-6017 (C <sub>V</sub> = 9)
			9-13	V-3752-6022	
	1 inch		3-6	V-3752-6024	V-3755-6003 (C <sub>V</sub> = 8.2) or V-3755-6008 (C <sub>V</sub> = 17) or V-3755-6012 (C <sub>V</sub> = 10) or V-3755-6018 (C <sub>V</sub> = 17)
			9-13	V-3752-6021	
	1-1/4 inch		3-6	V-3752-6024	V-3755-6004 (C <sub>V</sub> = 13) or V-3755-6009 (C <sub>V</sub> = 24) or V-3755-6013 (C <sub>V</sub> = 15) or V-3755-6019 (C <sub>V</sub> = 25)
			9-13	V-3752-6021	
	1-1/2 inch		3-6	V-3754-6010	V-3755-6005 (C <sub>V</sub> = 21) or V-3755-6014 (C <sub>V</sub> = 23) or V-3755-6020 (C <sub>V</sub> = 41)
			9-13	V-3754-6009	
	2 inch		3-6	V-3754-6010	V-3755-6015 (C <sub>V</sub> = 35) or V-3755-6021 (C <sub>V</sub> = 60)
			9-13	V-3754-6009	

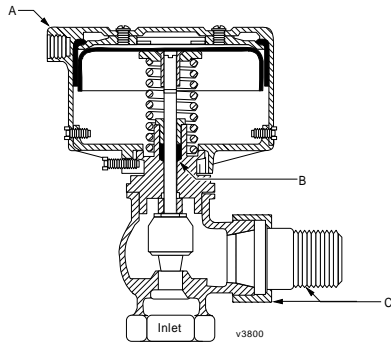
\*\* Recondition Kit includes: O-ring, Swivel Nut, Washer, Disc Retainer, Disc, Disc Holder, Pins, Swivel, Stem, Bonnet, Packing Follower, Packing, Packing Nut, Packing Spacer

## Repair Parts for Use With VB-3752 Normally Open Steam and Water Valves



Code Number	Callout	Description
		Packing for Use with both Water and Steam
		Valve Size (in.)      Valve Shipping Date      Stem Diameter
V-9999-608	A	1/2 to 1-1/4      All      1/4 in.
V-9999-608		1-1/2 and 2      After 1-1-68      1/4 in.
V-5460-602		1-1/2 and 2      Before 1-1-68      5/16 in.
V-5460-602		2-1/2 to 4 (VA-3200)      All      5/16 in.
V-5280-602		2-1/2 to 8 (VA-3400)      All      1/2 in.
		Union Nut and Male Tailpiece Assembly for Valves with Union Connections:
		Valve Size (in.)
V-3752-636	B	1/2
V-3752-637		3/4
V-3752-638		1
V-3752-639		1-1/4
		Gland Nut
		Valve Size (in.)      Actuator      Valve Shipping Date
V-3752-646	C	1/2 to 1-1/4      VA-3200 VA-5000      All
V-3752-646		1-1/2 & 2      VA-3200 VA-5000      After 1-1-68
V-4510-6019		1-1/2 & 2      VA-3200 VA-5000      Before 1-1-68
V-4510-6019		2-1/2-4      VA-3200      All
V-4510-6020		2-1/2-8      VA-3400      All

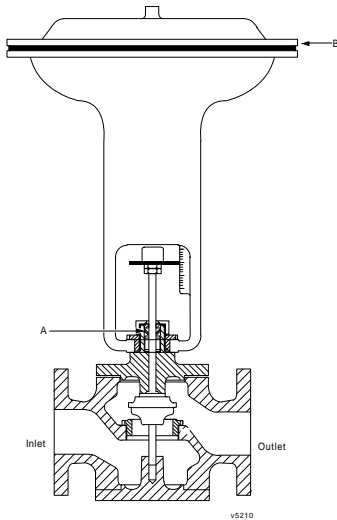
## Repair Parts For Use With V-3800 Normally Open Valves 1/2 and 3/4 inch



Code Number	Callout	Description
V-3802-1	A	Oval Actuator Complete
V-9999-608	B	Packing Ring Pack
	C	Union Nut and Tailpiece Assembly for Valves with Union Connections
		Valve Size (in.)
V-3752-636		1/2
V-3752-637		3/4

Note: This model discontinued in 1978.

## Repair Parts For Use With V-5210 High Pressure Normally Open Valve 2-1/2 Through 4 in. Cast Iron 250 lb ANSI Raised Flanges

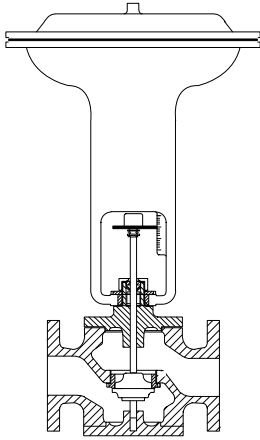


Code Number	Callout	Description	
	A	Packing Kits: Include	Steam Valves
V-5290-6842*		PTFE V-Rings for 2-1/2 through 4 in. Valves	
		Packing Kit	
V-4530-650**		V-3000 & 4R	
V-4530-626**		5R & 8R	
		Packing Kit	
V-4322-620**	V-3000 & 4R		
V-5460-603**	5R & 8R		
	B	Diaphragms	
V-4710-602		4R	
V-4710-603		5R	
V-4710-604		8R	

\* For valves shipped after June 1982.

\*\* For valves shipped before June 1982.

**Repair Parts For Use With V-5410 High Pressure Normally Closed Valves 2-1/2 Through 4 in. Cast Iron  
250 Lb ASA Raised Flanges**



Code Number	Callout	Description	
	A	Packing Kits: Include	
V-5290-6842*		PTFE V-Rings for 2-1/2 through 4 in. Valves	
		Packing Kit:	Steam Valves
V-4530-650**		V-3000, 4R	
V-4530-626**		5R, 8R	
		Packing Kit	Water Valves
V-9999-608**	V-3000, 4R		
V-5460-603**	5R, 8 R		
	B	Diaphragms	
V-4710-602		4R	
V-4710-603		5R	
V-4710-604		8R	

**Note: Discontinued in 1993.**  
 \* For valves shipped after June 1982.  
 \*\* For valves shipped before June 1982.

## Valve Spring Kits Sorted by Valve Code Number

Valve Body	Valve Size (in.)	Spring Range	Actuator	Spring Kit
V-3011	1 and 1-1/4	3 - 6	V-3000-1 or V-3000-2	V-3752-6024
V-3011	1 and 1-1/4	9 - 13	V-3000-1 or V-3000-2	V-3752-6021
V-3011	1-1/2 - 2	3 - 6	V-3000-1 or V-3000-2	V-3754-6010
V-3011	1-1/2 - 2	9 - 13	V-3000-1 or V-3000-2	V-3754-6009
V-3011	1/2 and 3/4	3 - 6	V-3000-1 or V-3000-2	V-3752-6023
V-3011	1/2 and 3/4	9 - 13	V-3000-1 or V-3000-2	V-3752-6022
V-3020	1 and 1-1/4	3 - 6	V-3000-1 or V-3000-2	V-3752-6024
V-3020	1 and 1-1/4	9 - 13	V-3000-1 or V-3000-2	V-3752-6021
V-3020	1-1/2 - 2	3 - 6	V-3000-1 or V-3000-2	V-3754-6010
V-3020	1-1/2 - 2	9 - 13	V-3000-1 or V-3000-2	V-3754-6009
V-3020	1/2 and 3/4	3 - 6	V-3000-1 or V-3000-2	V-3752-6023
V-3020	1/2 and 3/4	9 - 13	V-3000-1 or V-3000-2	V-3752-6022
V-3100	1/2 and 3/4	3 - 6	V-3802 or V-4000	V-3800-6002
V-3100	1/2 and 3/4	9 - 13	V-3802 or V-4000	V-3800-6003
V-3212	1 and 1-1/4	4 - 8	V-3000-1 or V-3000-2	V-4322-6001
V-3212	1 and 1-1/4	9 - 13	V-3000-1 or V-3000-2	V-3752-6021
V-3212	1-1/2 - 2	4 - 8	V-3000-1 or V-3000-2	V-3974-6008
V-3212	1-1/2 - 2	9 - 13	V-3000-1 or V-3000-2	V-3754-6009
V-3212	1/2 and 3/4	4 - 8	V-3000-1 or V-3000-2	V-4332-6001
V-3212	1/2 and 3/4	9 - 13	V-3000-1 or V-3000-2	V-3752-6022
V-3752	1 and 1-1/4	3 - 6	V-3000-1 or V-3000-2	V-3752-6024
V-3752	1 and 1-1/4	9 - 13	V-3000-1 or V-3000-2	V-3752-6021
V-3752	1-1/2 - 2	3 - 6	V-3000-1 or V-3000-2	V-3753-6010
V-3752	1-1/2 - 2	9 - 13	V-3000-1 or V-3000-2	V-3754-6009
V-3752	1/2 and 3/4	3 - 6	V-3000-1 or V-3000-2	V-3752-6023
V-3752	1/2 and 3/4	9 - 13	V-3000-1 or V-3000-2	V-3752-6022
V-3754	1 and 1-1/2	3 - 6	V-3000-1 or V-3000-2	V-3754-6011
V-3754	1 and 1-1/2	9 - 13	V-3000-1 or V-3000-2	V-3754-6008
V-3754	1/2 and 3/4	3 - 6	V-3000-1 or V-3000-2	V-3754-6010
V-3754	1/2 and 3/4	9 - 13	V-3000-1 or V-3000-2	V-3754-6009
V-3755	1 and 1-1/4	3 - 6	V-3000-1 or V-3000-2	V-3752-6024
V-3755	1 and 1-1/4	9 - 13	V-3000-1 or V-3000-2	V-3752-6021
V-3755	1-1/2 - 2	3 - 6	V-3000-1 or V-3000-2	V-3754-6010
V-3755	1-1/2 - 2	9 - 13	V-3000-1 or V-3000-2	V-3754-6009
V-3755	1/2 and 3/4	3 - 6	V-3000-1 or V-3000-2	V-3752-6023
V-3755	1/2 and 3/4	9 - 13	V-3000-1 or V-3000-2	V-3752-6022
V-3766	1/2	3 - 6	V-3000-1 or V-3000-2	V-3754-6010
V-3800	1/2 and 3/4	3 - 6	V-3802 or V-4000	V-3800-6002
V-3800	1/2 and 3/4	9 - 13	V-3802 or V-4000	V-3800-6003
V-3854	1/2	3 - 6	V-3802 or V-4000	V-3754-6012
V-3854	1/2	9 - 13	V-3802 or V-4000	V-3754-6013
V-3964	1/2	9 - 13	V-3000-1 or V-3000-2	V-3754-6009
V-3966	1/2	9 - 13	V-3000-1 or V-3000-2	V-3754-6009

## Valve Spring Kits Sorted by Valve Code Number (Continued)

Valve Body	Valve Size (in.)	Spring Range	Actuator	Spring Kit
V-3970	1 and 1-1/4	4 - 8	V-3000-1 or V-3000-2	V-4322-6001
V-3970	1 and 1-1/4	9 - 13	V-3000-1 or V-3000-2	V-3752-6021
V-3970	1-1/2 - 2	4 - 8	V-3000-1 or V-3000-2	V-3974-6008
V-3970	1-1/2 - 2	9 - 13	V-3000-1 or V-3000-2	V-3754-6009
V-3970	1/2 and 3/4	4 - 8	V-3000-1 or V-3000-2	V-4332-6001
V-3970	1/2 and 3/4	9 - 13	V-3000-1 or V-3000-2	V-3752-6022
V-3974	1 and 1-1/2	4 - 8	V-3000-1 or V-3000-2	V-3974-6009
V-3974	1 and 1-1/2	9 - 13	V-3000-1 or V-3000-2	V-3754-6008
V-3974	1/2 and 3/4	4 - 8	V-3000-1 or V-3000-2	V-3974-6008
V-3974	1/2 and 3/4	9 - 13	V-3000-1 or V-3000-2	V-3754-6009
V-4322	1 and 1-1/4	4 - 8	V-300-1 or V-3000-2	V-4322-6001
V-4322	1 and 1-1/4	9 - 13	V-3000-1 or V-3000-2	V-3752-6021
V-4322	1-1/2 - 2	4 - 8	V-3000-1 or V-3000-2	V-3974-6008
V-4322	1-1/2 - 2	9 - 13	V-3000-1 or V-3000-2	V-3754-6009
V-4322	1/2 and 3/4	4 - 8	V-3000-1 or V-3000-2	V-4332-6001
V-4322	1/2 and 3/4	9 - 13	V-3000-1 or V-3000-2	V-3752-6022
V-4324	1 and 1-1/2	4 - 8	V-3000-1 or V-3000-2	V-3974-6009
V-4324	1 and 1-1/2	9 - 13	V-3000-1 or V-3000-2	V-3754-6008
V-4324	1/2 and 3/4	4 - 8	V-3000-1 or V-3000-2	V-3974-6008
V-4324	1/2 and 3/4	9 - 13	V-3000-1 or V-3000-2	V-3754-6009
V-4332	1/2	4 - 8	V-3000-1 or V-3000-2	V-4332-6001
V-4332	1/2	9 - 13	V-3000-1 or V-3000-2	V-3752-6022
V-4333	1/2	4 - 8	V-3000-1 or V-3000-2	V-4332-6001
V-4333	1/2	9 - 13	V-3000-1 or V-3000-2	V-3752-6022
V-4334	1/2	4 - 8	V-3000-1 or V-3000-2	V-4332-6001
V-4334	1/2	9 - 13	V-3000-1 or V-3000-2	V-3752-6022
V-4440	1/2	4 - 12	V-3000-1 or V-3000-2	V-4440-6002
V-4440	5/8	4 - 12	V-3000-1 or V-3000-2	V-4440-6001
V-4440	1/2 and 5/8	6 - 9	V-3000-1 or V-3000-2	V-4440-6001
V-4510	1 and 1-1/4	3 - 6	V-3000-1 or V-3000-2	V-3752-6024
V-4510	1-1/2 - 2	3 - 6	V-3000-1 or V-3000-2	V-3754-6010
V-4510	1/2 and 3/4	3 - 6	V-3000-1 or V-3000-2	V-3752-6023
V-5216	1/2	3 - 6	V-3000-1 or V-3000-2	V-3752-6023
V-5216	3/4	3 - 6	V-3000-1 or V-3000-2	V-3752-6024
V-5230	1	3 - 7	V-3000-1 or V-3000-2	V-5230-6002
V-5230	1/2 and 3/4	3 - 7	V-3000-1 or V-3000-2	V-5230-6001
V-5250	1 and 1-1/4	3 - 6	V-3000-1 or V-3000-2	V-3752-6024
V-5250	1-1/2 - 2	3 - 6	V-3000-1 or V-3000-2	V-3754-6010
V-5250	1/2 and 3/4	3 - 6	V-3000-1 or V-3000-2	V-3752-6023
V-5416	1/2	9 - 13	V-3000-1 or V-3000-2	V-3752-6022
V-5416	3/4	9 - 13	V-3000-1 or V-3000-2	V-3752-6021
V-5430	1/2 and 3/4	9 - 14	V-3000-1 or V-3000-2	V-5430-6001
V-6139	1/2	9 - 13	V-3000-1 or V-3000-2	V-3754-6009



## Valve Spring Kits Sorted by Valve Code Number (Continued)

Valve Body	Valve Size (in.)	Spring Range	Actuator	Spring Kit
V-6143	3/8 and 3/4	9 - 13	V-3000-1 or V-3000-2	V-3752-6022
V-7216	1/2	3 - 6	V-3000-1 or V-3000-2	V-3752-6023
V-7216	3/4	3 - 6	V-3000-1 or V-3000-2	V-3752-6024
V-7416	1/2	9 - 13	V-3000-1 or V-3000-2	V-3752-6022
V-7416	3/4	9 - 13	V-3000-1 or V-3000-2	V-3752-6021
VG7000	1/2 or 3/4	3 - 6	V-3000-8001 or V-3000-8003	VG7000-1001
VG7000	1/2 or 3/4	3 - 6	V-3801-8001	VG7000-1010
VG7000	1/2 or 3/4	4 - 8	V-3000-8001 or V-3000-8003	VG7000-1002
VG7000	1/2 or 3/4	4 - 8	V-3801-8001	VG7000-1011
VG7000	1/2 or 3/4	9 - 13	V-3000-8001 or V-3000-8003	VG7000-1003
VG7000	1/2 or 3/4	9 - 13	V-3801-8001	VG7000-1012
VG7000	1/2 or 3/4	Spring Kit with Three Springs: 3 - 6, 4 - 8, 9 - 13 (Includes hardware to adapt one valve only)	V-3801-8001	VG7000-1015
VG7000	1/2 or 3/4	Not Applicable	V-400	VG7000-1013
VG7000	1 or 1-1/4	3 - 6	V-3000-8001 or V-3000-8003	VG7000-1004
VG7000	1 or 1-1/4	4 - 8	V-3000-8001 or V-3000-8003	VG7000-1005
VG7000	1 or 1-1/4	9 - 13	V-3000-8001 or V-3000-8003	VG7000-1006
VG7000	1-1/2 or 2	3 - 6	V-3000-8001 or V-3000-8003	VG7000-1007
VG7000	1-1/2 or 2	4 - 8	V-3000-8001 or V-3000-8003	VG7000-1008
VG7000	1-1/2 or 2	9 - 13	V-3000-8001 or V-3000-8003	VG7000-1009
VG7000	1, 1-1/4, 1-1/2 or 2	Not Applicable	V-400	VG7000-1014
VT Series	1/2	3 - 6	V-3802 or V-4000	V-9999-6001
VT Series	1/2	4 - 8	V-3802 or V-4000	V-9999-6002
VT Series	1/2	9 - 13	V-3802 or V-4000	V-9999-6003
VT Series (all)	1/2	3 - 6	V-3000-1 or V-3000-2	V-3752-6023
VT Series (all)	1/2	4 - 8	V-3000-1 or V-3000-2	V-4332-6001
VT Series (all)	1/2	9 - 13	V-3000-1 or V-3000-2	V-3752-6022

## Inner Valve Recondition Kits: 1/2 in. to 5/8 in.

Valve Body	Valve Size (in.)	Spring Range No.	Inner Valve Kit
V-3011	1/2	3 - 6 or 9 - 13	No kits available, replace valve.
V-3020	1/2	3 - 6 or 9 - 13	No kits available, replace valve.
V-3100	1/2	3 - 6 or 9 - 13	No kits available, replace valve.
V-3212	1/2	4 - 8 or 9 - 13	V-3970-6003 or V-3970-6004
V-3752	1/2	3 - 6 or 9 - 13	No kits available, replace valve.
V-3755	1/2	3 - 6 or 9 - 13	No kits available, replace valve.
V-3766	1/2	3 - 6	No kits available, replace valve.
V-3800	1/2	3 - 6, 9 - 13	No kits available, replace valve.
V-3854	1/2	3 - 6, 9 - 13	No kits available, replace valve.
V-3964	1/2	9 - 13	No kits available, replace valve.
V-3966	1/2	9 - 13	No kits available, replace valve.
V-3970	1/2	4 - 8	V-3970-6003 or V-3970-6004

### Inner Valve Recondition Kits: 1/2 in. to 5/8 in. (Continued)

Valve Body	Valve Size (in.)	Spring Range No.	Inner Valve Kit
V-3974	1/2	4 - 8 or 9 - 13	V-3974-6003, V-3974-6004, V-3974-6005, V-3974-6006 or V-3974-6007
V-4322	1/2	4 - 8 or 9 - 13	V-4322-6004
V-4332	1/2	4 - 8 or 9 - 13	No kits available, replace valve.
V-4333	1/2	4 - 8 or 9 - 13	No kits available, replace valve.
V-4334	5/8	4 - 8 or 9 - 13	No kits available, replace valve.
V-4440	1/2	4 - 12 or 6 - 9	V-4440-6003 or V-4440-6004
V-4440	5/8	4 - 12 or 6 - 9	No kits available, replace valve.
V-4510	1/2	3 - 6	No kits available, replace valve.
V-5216	1/2	3 - 6	No kits available, replace valve.
V-5230	1/2	3 - 7	No kits available, replace valve.
V-5416	1/2	9 - 13	No kits available, replace valve.
V-5430	1/2	9 - 14	No kits available, replace valve.
V-6139	1/2	9 - 13	No kits available, replace valve.
V-7216	1/2	3 - 6	No kits available, replace valve.
V-7416	1/2	9 - 13	No kits available, replace valve.
VT Series	1/2	3 - 6, 4 - 8 or 9 - 13	No kits available, replace valve

### Inner Valve Recondition Kits: 3/4 in. to 2 in.

Valve Body	Valve Size (in.)	Spring Range No.	Inner Valve Kit
V-3752	3/4 UA	3 - 6 or 9-13	V-3752-6016 or V-3752-6027
V-3752	1 UA	3 - 6 or 9-13	V-3752-6017 or V-3752-6028
V-3752	1-1/4 UA	3 - 6 or 9-13	V-3752-6018 or
V-3752	1- 1/4 UG	3 - 6 or 9-13	V-3752-6019 or
V-3752	1-1/2 UA	3 - 6 or 9-13	V-3752-6020 or V-3752-6030
V-3752	2	3 - 6 or 9-13	V-3752-6034 or V-3752-6031
V-3800	3/4 UA	3 - 6	V-3800-6001
V-3754-1008	3/4	9 - 13	V-3754-6001
V-3754-1022	3/4	3 - 6	V-3754-6001
V-3754-1026	3/4	3 - 6	V-3754-6001
V-3754-4001	3/4	3 - 6	V-3754-6001
VB-3754-4	3/4		V-3754-6001
VB-3754-4014	3/4		V-3754-6001
V-3754-1010	1	9 - 13	V-3754-6002
V-3754-1023	1	3 - 6	V-3754-6002
V-3754-1027	1	3 - 6	V-3754-6002
V-3754-4002	1	3 - 6	V-3754-6002
VB-3754-5	1		V-3754-6002
VB-3754-8	1-1/4		V-3754-6002
V-3974-1004	3/4	9 - 13	V-3974-6001
V-3974-1010	3/4	9 - 13	V-3974-6001
V-3974-2004	3/4	9 - 13	V-3974-6001
V-3974-4001	3/4	9 - 13	V-3974-6001
VB-3974-4	3/4	9 - 13	V-3974-6001
VB-3974-1005	1	9 - 13	V-3974-6002
V-3974-1011	1	9 - 13	V-3974-6002
V-3974-2005	1	9 - 13	V-3974-6002
V-3974-4002	1	9 - 13	V-3974-6002
V-4324-1005	3/4	4 - 8	V-4324-6001
V-4324-1006	3/4	9 - 13	V-4324-6001
V-4324-1013	3/4	9 - 13	V-4324-6001
V-4324-4001	3/4	4 - 8	V-4324-6001
V-4324-4003	3/4	9 - 13	V-4324-6001
V-4324-4014	3/4		V-4324-6001
VB-4324-4	3/4		V-4324-6001

### Inner Valve Recondition Kits: 3/4 in. to 2 in. (Continued)

Valve Body	Valve Size (in.)	Spring Range No.	Inner Valve Kit
V-4324-1007	1	4 - 8	V-4324-6002
V-4324-1008	1	9 - 13	V-4324-6002
V-4324-1014	1	9 - 13	V-4324-6002
V-4324-4002	1	4 - 8	V-4324-6002
V-4324-4004	1	9 - 13	V-4324-6002
VB-4324-5	1		V-4324-6002
VB-4324-8	1-1/4		V-4324-6002
V-3754-1028	1-1/2	3 - 6	V-5254-6001
V-3754-1029	1-1/2	9 - 13	V-5254-6001
V-3754-1030	1-1/2	3 - 6	V-5254-6001
VB-3754-6	1-1/2		V-5254-6001
V-5254-1	1-1/2	2 - 5	V-5254-6001
V-5254-11	1-1/2	2 - 5	V-5254-6001
V-5254-2	1-1/2	2 - 5	V-5254-6001
V-5254-3	1-1/2	9 - 13	V-5254-6001
VB-3754-7	2		V-5254-6002
V-5254-4	2	9 - 13	V-5254-6002
V-5254-5	2	2 - 5	V-5254-6002
V-5254-6	2	9 - 13	V-5254-6002
V-5254-12	2	2 - 5	V-5254-6002
V-3974-1012	1-1/2	9 - 13	V-5464-6001
V-3974-1013	1-1/2	9 - 13	V-5464-6001
VB-3974-6	1-1/2		V-5464-6001
V-5464-1	1-1/2	9 - 13	V-5464-6001
V-5464-11	1-1/2	9 - 13	V-5464-6001
V-5464-2	1-1/2	9 - 13	V-5464-6001
VB-3974-7	2		V-5464-6002
V-5464-3	2	9 - 13	V-5464-6002
V-5464-4	2	9 - 13	V-5464-6002
V-5464-12	2	9 - 13	V-5464-6002
V-4324-1015	1-1/2	4 - 8	V-5844-6001
V-4324-1016	1-1/2	9 - 13	V-5844-6001
V-4324-1017	1-1/2	9 - 13	V-5844-6001
VB-4324-6	1-1/2		V-5844-6001
V-5844-1	1-1/2	4 - 8	V-5844-6001
V-5844-2	1-1/2	9 - 13	V-5844-6001
V-5844-2	1-1/2	9 - 13	V-5844-6001
V-5844-11	1-1/2	9 - 13	V-5844-6001
VB-4324-7	2		V-5844-6002
V-5844-4	2	4 - 8	V-5844-6002
V-5844-5	2	9 - 13	V-5844-6002
V-5844-6	2	9 - 13	V-5844-6002
V-5844-12	2	9 - 13	V-5844-6002

### Inner Valve Recondition Kits: 2-1/2 in. to 6 in.

Valve Body	Valve Size (in.)	Spring Range No.	Inner Valve Kit
VB-3752-19	2-1/2	2 - 5	V-5252-6001
V-5252-7	2-1/2	2 - 5	V-5252-6001
V-5252-8	2-1/2	2 - 5	V-5252-6001
V-5252-33	2-1/2		V-5252-6001
V-5252-32	2-1/2	2 - 5	V-5252-6002
V-5252-4	2-1/2	2 - 5	V-5252-6002
V-5252-5	2-1/2	2 - 5	V-5252-6002
V-5252-6	2-1/2	9 - 13	V-5252-6002
VB-3752-22	3		V-5252-6003
V-5252-12	3	2 - 5	V-5252-6003
V-5252-13	3	2 - 5	V-5252-6003
V-5252-35	3	2 - 5	V-5252-6003
V-5252-10	3	2 - 5	V-5252-6004
V-5252-11	3	9 - 13	V-5252-6004
V-5252-34	3	2 - 5	V-5252-6004
V-5252-9	3	2 - 5	V-5252-6004

### Inner Valve Recondition Kits: 2-1/2 in. to 6 in. (Continued)

Valve Body	Valve Size (in.)	Spring Range No.	Inner Valve Kit
VB-3752-25 V-5252-14 V-5252-36	4 4 4	2 - 5 2 - 5	V-5252-6005 V-5252-6005 V-5252-6005
V-5252-15 V-5252-16 V-5252-37	4 4 4	2 - 5 2 - 5 2 - 5	V-5252-6006 V-5252-6006 V-5252-6006
VB-3752-28 V-5252-17 V-5252-18 V-5252-38	5 5 5 5	2 - 5 2 - 5 2 - 5 2 - 5	V-5252-6007 V-5252-6007 V-5252-6007 V-5252-6007
VB-3752-31 V-5252-19 V-5252-39	6 6 6	2 - 5 2 - 5	V-5252-6008 V-5252-6008 V-5252-6008
VB-3970-11 V-5462-6 V-5462-7 V-5462-34	2-1/2 2-1/2 2-1/2 2-1/2	9 - 13 9 - 13 9 - 13	V-5462-6001 V-5462-6001 V-5462-6001 V-5462-6001
VB-3970-14 V-5462-8 V-5462-9 V-5462-35	3 3 3 3	9 - 13 9 - 13 9 - 13	V-5462-6002 V-5462-6002 V-5462-6002 V-5462-6002
V-5462-10 V-5462-36	3 3	9 - 13 9 - 13	V-5462-6003 V-5462-6003
VB-3970-17 V-5462-11 V-5462-12 V-5462-37	4 4 4 4	9 - 13 9 - 13 9 - 13	V-5462-6004 V-5462-6004 V-5462-6004 V-5462-6004
V-5462-13 V-5462-14 V-5462-38	4 4 5	9 - 13 9 - 13 9 - 13	V-5462-6005 V-5462-6005 V-5462-6005
VB-3970-20 V-5462-15 V-5462-39	5 5 5	9 - 13 9 - 13	V-5462-6006 V-5462-6006 V-5462-6006
VB-3970-23 V-5462-17 V-5462-18 V-5462-40	6 6 6 6	9 - 13 9 - 13 9 - 13	V-5462-6007 V-5462-6007 V-5462-6007 V-5462-6007
VB-4322-9 V-5842-31 V-5842-8	2-1/2 2-1/2 2-1/2	9 - 13 9 - 13	V-5842-6001 V-5842-6001 V-5842-6001
VB-4322-11 V-5842-10 V-5842-32	3 3 3	9 - 13 9 - 13	V-5842-6002 V-5842-6002 V-5842-6002
V-5842-17 V-5842-18 V-5842-33	3 3 3	9 - 13 9 - 13 9 - 13	V-5842-6003 V-5842-6003 V-5842-6003
VB-4322-13	4		V-5842-6004
V-5842-11 V-5841-12 V-5842-34	4 4 4	9 - 13 9 - 13 9 - 13	V-5842-6005 V-5842-6005 V-5842-6005
VB-4322-19 V-5842-13 V-5421-14 V-5842-16 V-5842-35	5 5 5 5 5	9 - 13 9 - 13 9 - 13 9 - 13 9 - 13	V-5842-6006 V-5842-6006 V-5842-6006 V-5842-6006 V-5842-6006
VB-4322-18 V-5842-15 V-5842-36	6 6 6	9 - 13 9 - 13 9 - 13	V-5842-6007 V-5842-6007 V-5842-6007