

BALDOR® • RELIANCE

Product Information Packet

VEM31157

2HP,1750RPM,3PH,60HZ,56C,3530M,ODTF,F1,N

Part Detail							
Revision:	C	Status:	PRD/A	Change #:		Proprietary:	No
Type:	AC	Prod. Type:	3530M	Elec. Spec:	35WGL154	CD Diagram:	CD0005
Enclosure:	ODTF	Mfg Plant:		Mech. Spec:	35B015	Layout:	35LYB015
Frame:	56C	Mounting:	F1	Poles:	04	Created Date:	09-30-2014
Base:	N	Rotation:	R	Insulation:	F	Eff. Date:	05-27-2016
Leads:	9#18					Replaced By:	
Literature:		Elec. Diagram:					

Nameplate NP3155L							
CAT.NO.	VEM31157						
SPEC.	35B015L154G1						
HP	2						
VOLTS	230/460						
AMP	6/3						
RPM	1750						
FRAME	56C	HZ	60	PH	3		
SER.F.	1.15	CODE	M	DES	B	CL	F
F.L. AVG. EFF.	86.5	PF	71				
RATING	40C AMB-CONT						
CC		USABLE AT 208V	6				
DE	6205	ODE	6203				
ENCL	ODTF	SN					

Parts List		
Part Number	Description	Quantity
SA287873	SA 35B015L154G1	1.000 EA
RA274076	RA 35B015L154G1	1.000 EA
S/P107-000-001	SUPER E PROC'S-FS, WS & CK PLTS	1.000 EA
NS2512A01	INSULATOR, CONDUIT BOX X	1.000 EA
35CB3007	35 CB CASTING W/.88 DIA. LEAD HOLE	1.000 EA
51XB1016A07	10-16 X 7/16 HXWSSLD SERTYB	2.000 EA
11XW1032G06	10-32 X .38, TAPTITE II, HEX WSHR SLTD U	1.000 EA
35EP3201A04SP	SPL FR EP-OPEN-35L OR M -203 BRG-W/DRIP	1.000 EA
HW5100A03SP	WAVY WASHER (W1543-017)	1.000 EA
35EP3400A13	STD FACE MTD END PLATE OPEN NEMA 56C 05	1.000 EA
35AD2000	AIR BAFFLE	1.000 EA
60XW0632A06	6-32 X 3/8 TORX HEAD SCREW TAPTITE II	4.000 EA
51XN1032A20	10-32 X 1 1/4 HX WS SL SR	2.000 EA
35FH4006A01SP	DRIP COVER,STAMPED,W/ PRIMER	1.000 EA
51XW1032A06	10-32 X .38, TAPTITE II, HEX WSHR SLTD S	3.000 EA
35CB4521	35 LIPPED CB LID (GALV & PHOSPH)	1.000 EA
51XW0832A07	8-32 X .44, TAPTITE II, HEX WSHR SLTD SE	4.000 EA
HW2501D13SP	KEY, 3/16 SQ X 1.375	1.000 EA
HA7000A04	KEY RETAINER 0.625 DIA SHAFTS	1.000 EA
85XU0407S04	4X1/4 U DRIVE PIN STAINLESS	2.000 EA
MJ1000A02	GREASE, POLYREX EM EXXON (USe 4824-15A)	0.050 LB
35FN3002A05SP	EXFN, PLASTIC, 6.376 OD, .638 ID	1.000 EA
HA3100A18	THRUBOLT 10-32 X 9.250	4.000 EA
MG1000Y03	MUNSELL 2.53Y 6.70/ 4.60, GLOSS 20,	0.017 GA

Parts List (continued)		
Part Number	Description	Quantity
51XB1214A16	12-14X1.00 HXWSSLD SERTYB	1.000 EA
LC0005E01	CONN.DIA./WARNING LABEL (LC0005/LB1119N)	1.000 EA
NP3155L	ALUM SUPER-E UL CSA CC "SEMS"	1.000 EA
36PA1000	PKG GRP, PRINT PK1016A06	1.000 EA
PK3082	STYROFOAM CRADLE	1.000 EA
MN416A01	TAG-INSTAL-MAINT no wire (1400/bx) 11/14	1.000 EA

AC Induction Motor Performance Data

Record # 57235 - Typical performance - not guaranteed values

Winding: 35WGL154-R006	Type: 3530M	Enclosure: ODP
-------------------------------	--------------------	-----------------------

Nameplate Data				460 V, 60 Hz: High Voltage Connection	
Rated Output (HP)	2			Full Load Torque	6 LB-FT
Volts	230/460			Start Configuration	direct on line
Full Load Amps	6/3			Breakdown Torque	27.9 LB-FT
R.P.M.	1750			Pull-up Torque	13.7 LB-FT
Hz	60	Phase	3	Locked-rotor Torque	18.7 LB-FT
NEMA Design Code	B	KVA Code	M	Starting Current	26.4 A
Service Factor (S.F.)	1.15			No-load Current	1.94 A
NEMA Nom. Eff.	86.5	Power Factor	71	Line-line Res. @ 25°C	6.6 Ω
Rating - Duty	40C AMB-CONT			Temp. Rise @ Rated Load	37°C
S.F. Amps				Temp. Rise @ S.F. Load	43°C
				Rotor inertia	0.177 LB-FT ²

Load Characteristics 460 V, 60 Hz, 2 HP

% of Rated Load	25	50	75	100	125	150	S.F.
Power Factor	31	49	63	71	77	81	75
Efficiency	75	83.9	86.7	87.2	86.9	86	87
Speed	1791	1783	1774	1766	1755	1744	1759
Line amperes	2.05	2.29	2.61	3.04	3.51	4.03	3.32

Performance Graph at 460V, 60Hz, 2.0HP Typical performance - Not guaranteed values

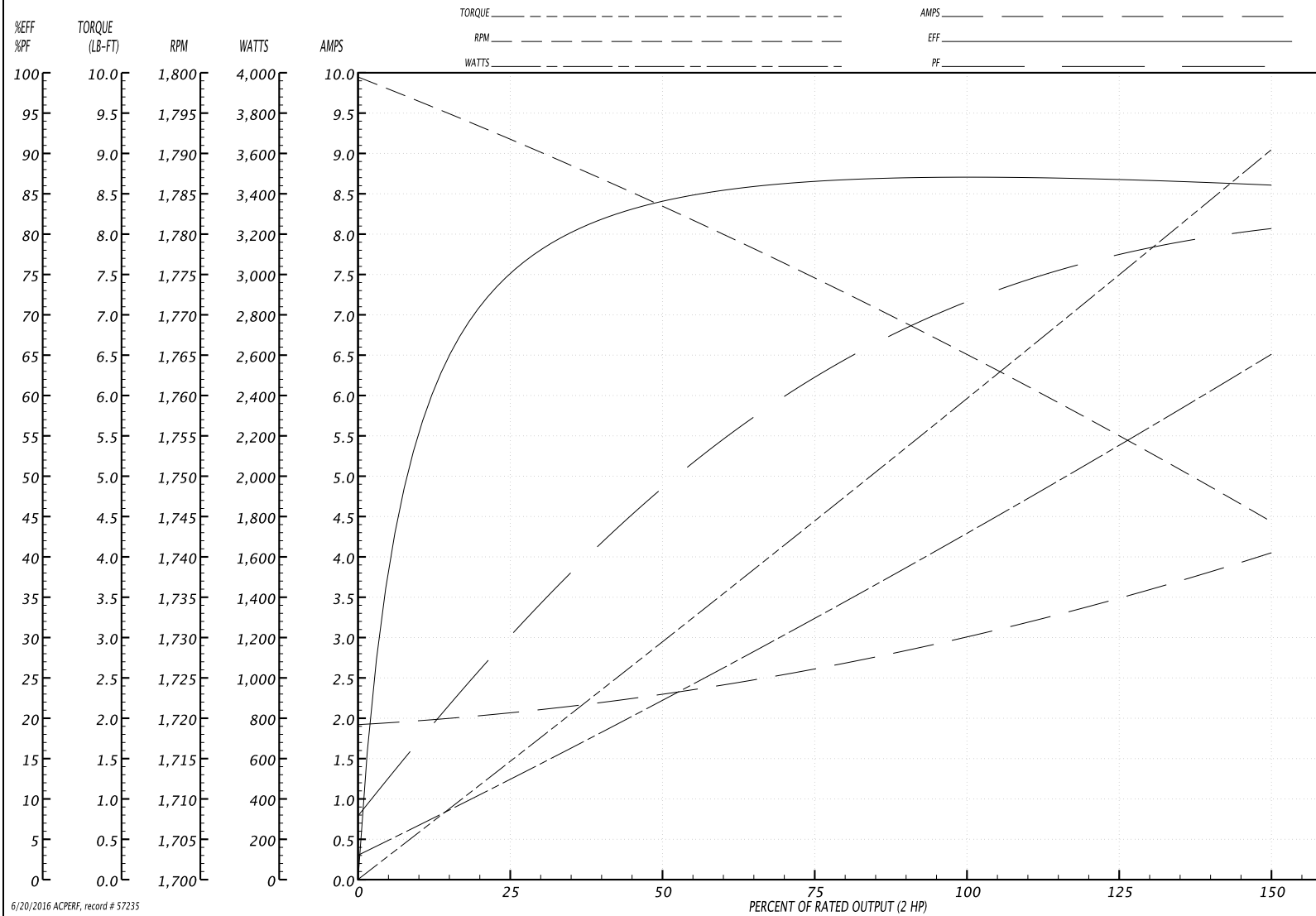
BALDOR ELECTRIC COMPANY

WINDING # 35WGL154

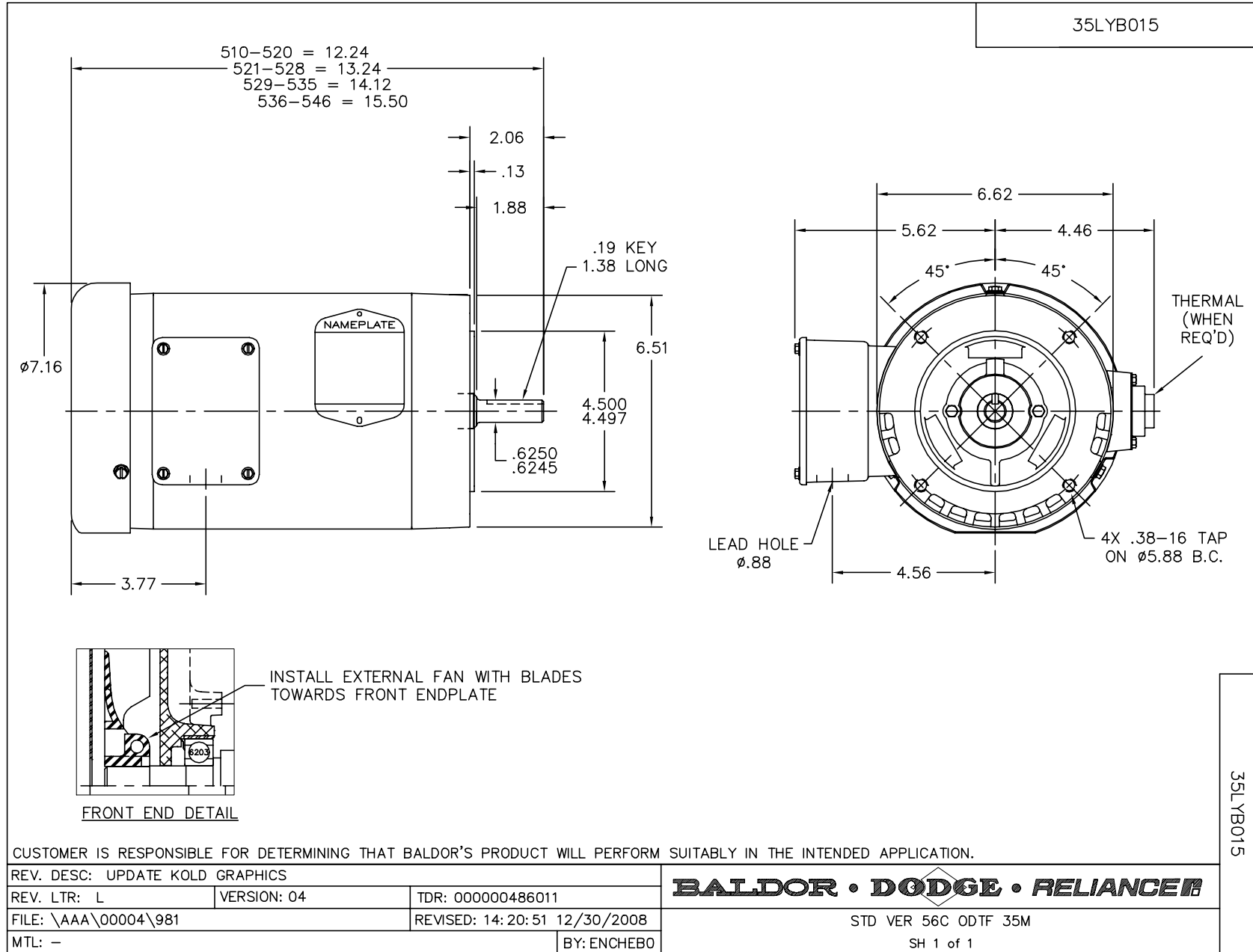
Typical performance - not guaranteed values.

2 HP 3 PH 60 HZ 1750 RPM 460 V 3530M

TORQUES(LB-FT): PO=27.9 PU=13.7 LR=18.7 LRA=26.4



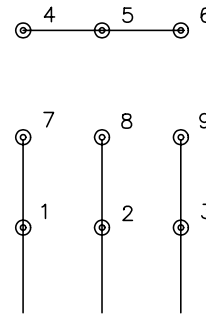
6/20/2016 ACPERF, record # 57235



CD0005

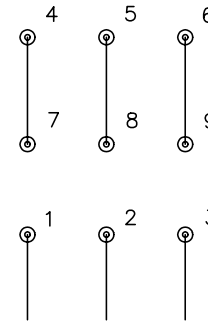


LOW VOLTAGE
(2Y)



LINE

HIGH VOLTAGE
(1Y)



LINE

NOTES:

1. INTERCHANGE ANY TWO LINE LEADS TO REVERSE ROTATION.
2. OPTIONAL THERMOSTATS ARE PROVIDED WHEN SPECIFIED.
3. ACTUAL NUMBER OF INTERNAL PARALLEL CIRCUITS MAY BE A MULTIPLE OF THOSE SHOWN ABOVE.
4. LEAD COLORS ARE OPTIONAL. LEADS MUST ALWAYS BE NUMBERED AS SHOWN.

REV. DESC: REVISE TO SHOW OPTIONAL COLORS			
REV. LTR: E	BY: JLP	REVISED: 01/19/99 10:15	TDR: 0171435
90000		FILE: AAA00005140	MDL: -
		MTL: -	

BALDOR ELECTRIC Co.

3PH, DV, 9 LEADS

CD0005