

# PRODUCT INFORMATION PACKET



Model No: BDH1106

Catalog No: BDH1106

Fan and Blower Motor, 1 HP, 1 Ph, 60 Hz, 460 V, 1100 RPM, 3 Speed, 48 Frame, OPEN



Regal and Century are trademarks of Regal Rexnord Corporation or one of its affiliated companies.  
©2022 Regal Rexnord Corporation, All Rights Reserved. MC017097E





**Nameplate Specifications**

Output HP	<b>1 Hp</b>	Output KW	<b>0.75 kW</b>
Frequency	<b>60 Hz</b>	Voltage	<b>460 V</b>
Current	<b>3.2 A</b>	Speed	<b>1100 rpm</b>
Service Factor	<b>1</b>	Phase	<b>1</b>
Duty	<b>Air Over</b>	Insulation Class	<b>B</b>
Frame	<b>48Y</b>	Enclosure	<b>Open Enclosed</b>
Thermal Protection	<b>Automatic</b>	Ambient Temperature	<b>40 °C</b>
UL	<b>Recognized</b>	CSA	<b>Y</b>
CE	<b>N</b>	Number of Speeds	<b>3</b>

**Technical Specifications**

Electrical Type	<b>Permanent Split Capacitor</b>	Starting Method	<b>Across The Line</b>
Poles	<b>6</b>	Rotation	<b>Reversible</b>
Mounting	<b>Round Belly Band</b>	Motor Orientation	<b>Horizontal</b>
Drive End Bearing	<b>Ball</b>	Opp Drive End Bearing	<b>Ball</b>
Frame Material	<b>Rolled Steel</b>	Shaft Type	<b>Flat</b>
Overall Length	<b>11.09 in</b>	Frame Length	<b>5.50 in</b>
Shaft Diameter	<b>0.500 in</b>	Shaft Extension	<b>4.5 in</b>
Connection Drawing	<b>614131-270</b>	Outline Drawing	<b>BDH1106-S01</b>

This is an uncontrolled document once printed or downloaded and is subject to change without notice. Date Created:12/08/2022

GENERAL INFORMATION:

SHAFT RUNOUT: .001[.03] T.I.R. PER INCH LENGTH OF EXTENSION.

BEARINGS: BALL

MOUNTING POSITION: HORIZONTAL

ELECTRICAL DATA:

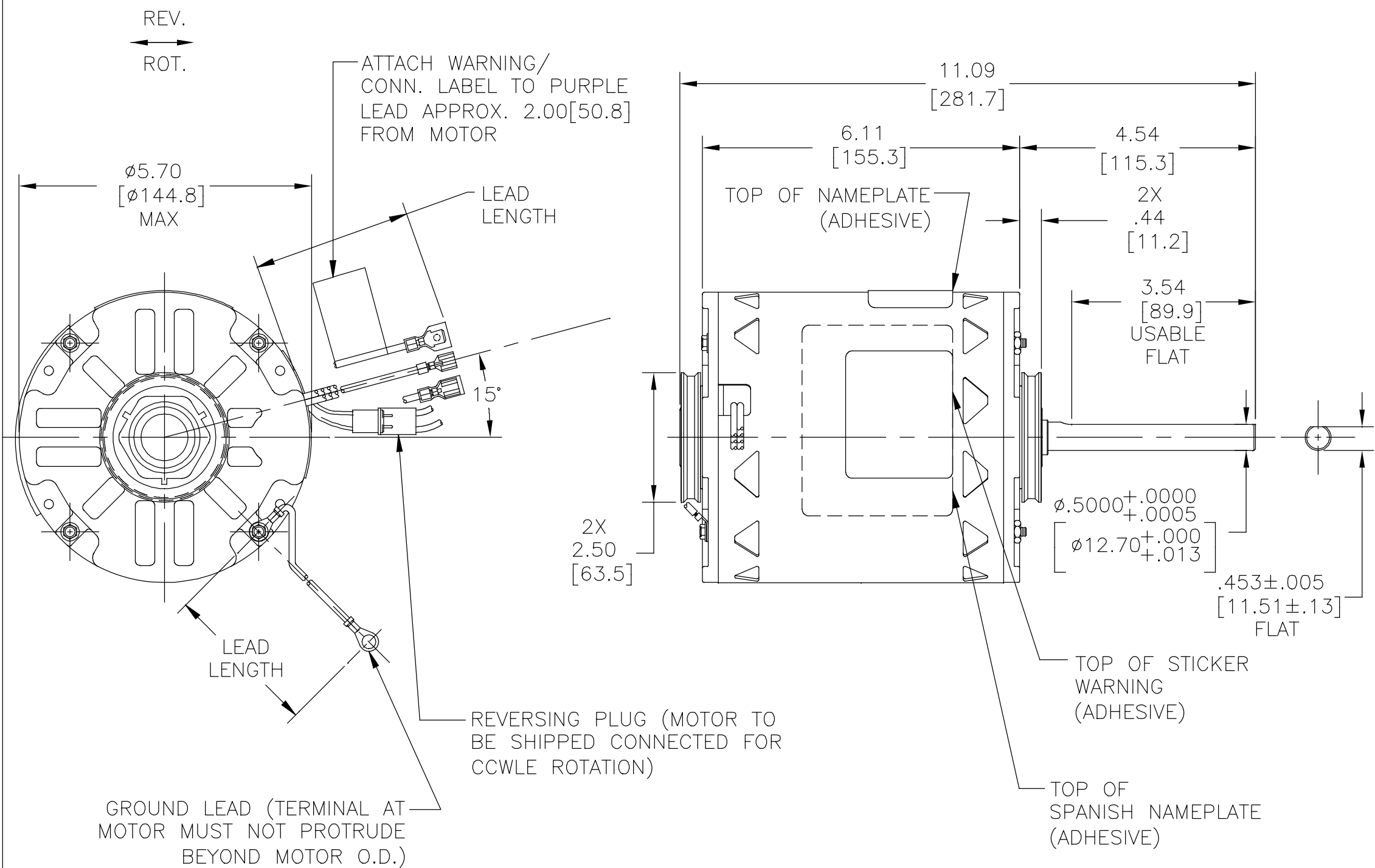
OVERLOAD PROTECTOR: AUTOMATIC RESET (T.I. 7AM 036)

LEADS: No. 18 GA .03[.8] THK XLP 125 °C INSUL

GROUND LEAD: No. 18 GA .03[.8] THK (GREEN) INSUL

NOTES:

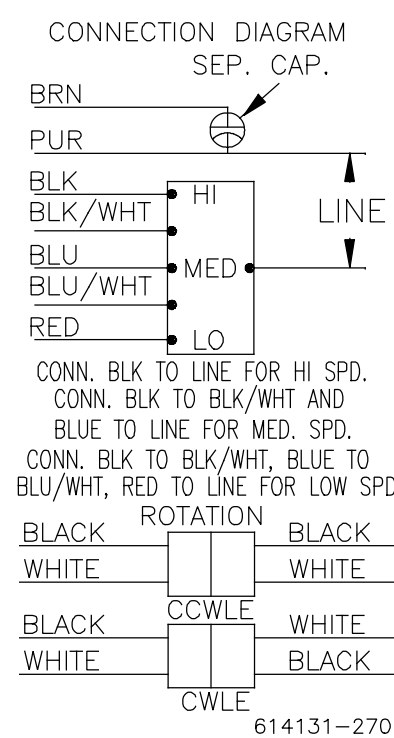
1. THE SYMBOL OF CTQ: ▲ (NO CTQ ON THIS DRAWING).
2. RoHS & REACH REQUIREMENT SEE EP000014\_5.1.



NAMEPLATE DATA:

MODEL: F48K47A01  
 CUST: P/N BDH1106  
 HP: 1  
 ROT: REVERSIBLE  
 RPM: 1100/3 SPD  
 TYPE: UF  
 FRAME: 48Y  
 VOLTS: 460  
 PH: 1  
 AMPS: 3.2  
 HZ: 60  
 INS: B  
 AMB: 40 °C  
 DUTY: AIR OVER  
 CAP: 15 MFD/370V  
 ENCL: OPEN  
 UL LOGO  
 CSA LOGO  
 THERMALLY PROTECTED

EXTERNAL CONNECTION DIAGRAM



GREEN (GRD)	12.0/14.0 [308/356]	.25[6.4] EYELET
BLACK & WHITE	3.0/5.0 [76/127]	REVERSING PLUG
BROWN	12.0/14.0 [308/356]	.25[6.4] FEMALE SPADE
PURPLE	12.0/14.0 [308/356]	.25[6.4] FEMALE SPADE
BLACK	36.0/39.0 [914/991]	.25[6.4] PRE-INSUL. FEMALE SPADE
BLACK/ WHITE	36.0/39.0 [914/991]	.25[6.4] PRE-INSUL. MALE TAB
BLUE	36.0/39.0 [914/991]	.25[6.4] PRE-INSUL. FEMALE SPADE
BLUE/WHITE	36.0/39.0 [914/991]	.25[6.4] PRE-INSUL. MALE TAB
RED	36.0/39.0 [914/991]	.25[6.4] PRE-INSUL. FEMALE SPADE
COLOR	LENGTH	TERMINAL OR STRIP LENGTH

REGAL-BELOIT CORPORATION (RBC) PROVIDES TECHNICAL ASSISTANCE TO OUR CUSTOMERS IN SEVERAL AREAS. SINCE RBC DOES NOT RECEIVE ALL DATA CONCERNING THE USE AND APPLICATION OF THE MOTOR, THE SUITABILITY OF THE MOTOR FOR THE APPLICATION MUST BE DETERMINED BY THE CUSTOMER.

DIMENSIONS WITHOUT TOLERANCES ARE FOR REFERENCE ONLY.

MAIN FR.-OLE	OPEN
END FR.-OLE	OPEN
MAIN FR.-LE	OPEN
END FR.-LE	OPEN

CUSTOMER	DISTRIBUTION SERVICE
----------	----------------------

PERFORMANCE CURVE NO.	TORQUE @ 1100 RPM (25°C)	APPROVED SAMPLE	UL COMPONENT FILE #	CCN #	CSA FILE #	CLASS #
C31341	85.2 OZ. FT.	97AC501A	E46412	PRGY2	LR43341	4211-01

DRAWING REVISION E	REVISION BY ANNA.SUN	DATE 03-05-2020
ECO	APPROVED BY KEYUN.GONG	DATE 03-05-2020
ECO DESCRIPTION @ZONE C2: ADD SPANISH NAMEPLATE		
COPYRIGHT REGAL BELOIT AMERICA, INC. ALL RIGHTS RESERVED. PROPRIETARY AND CONFIDENTIAL INFORMATION - THIS DOCUMENT IS THE PROPERTY OF REGAL BELOIT AMERICA, INC. (OWNER) AND CONTAINS OWNER'S PROPRIETARY INFORMATION. ANY PERSON, CORPORATION OR OTHER FIRM RECEIVING IT IS DEEMED, BY RECEIVING IT, TO AGREE THAT IT, AND/OR ANY PART OF IT, SHALL NOT BE DISCLOSED TO ANY PERSON, CORPORATION OR OTHER ENTITY, DUPLICATED, AND/OR USED, EXCEPT AS EXPRESSLY APPROVED IN WRITING IN ADVANCE BY OWNER. THIS DOCUMENT SHALL BE RETURNED TO OWNER UPON REQUEST. IT MAY BE SUBJECT TO CERTAIN RESTRICTIONS UNDER APPLICABLE EXPORT CONTROL LAWS AND REGULATIONS.		

ENCLOSURE

DRAWN BY: CARLOS CARRILLO
DATE: 08-05-2010
APPROVED BY: SAMUEL JIMENEZ
DATE: 08-05-2010
REFERENCE
THIRD ANGLE PROJECTION

<b>REGAL</b> Regal Beloit America, Inc.	
DESCRIPTION MODEL-RFHP-48FR OUTLINE	
MATERIAL	PROCESS/FINISH
SIZE DWG NO C	BDH1106
SHEET 1	

Table #1

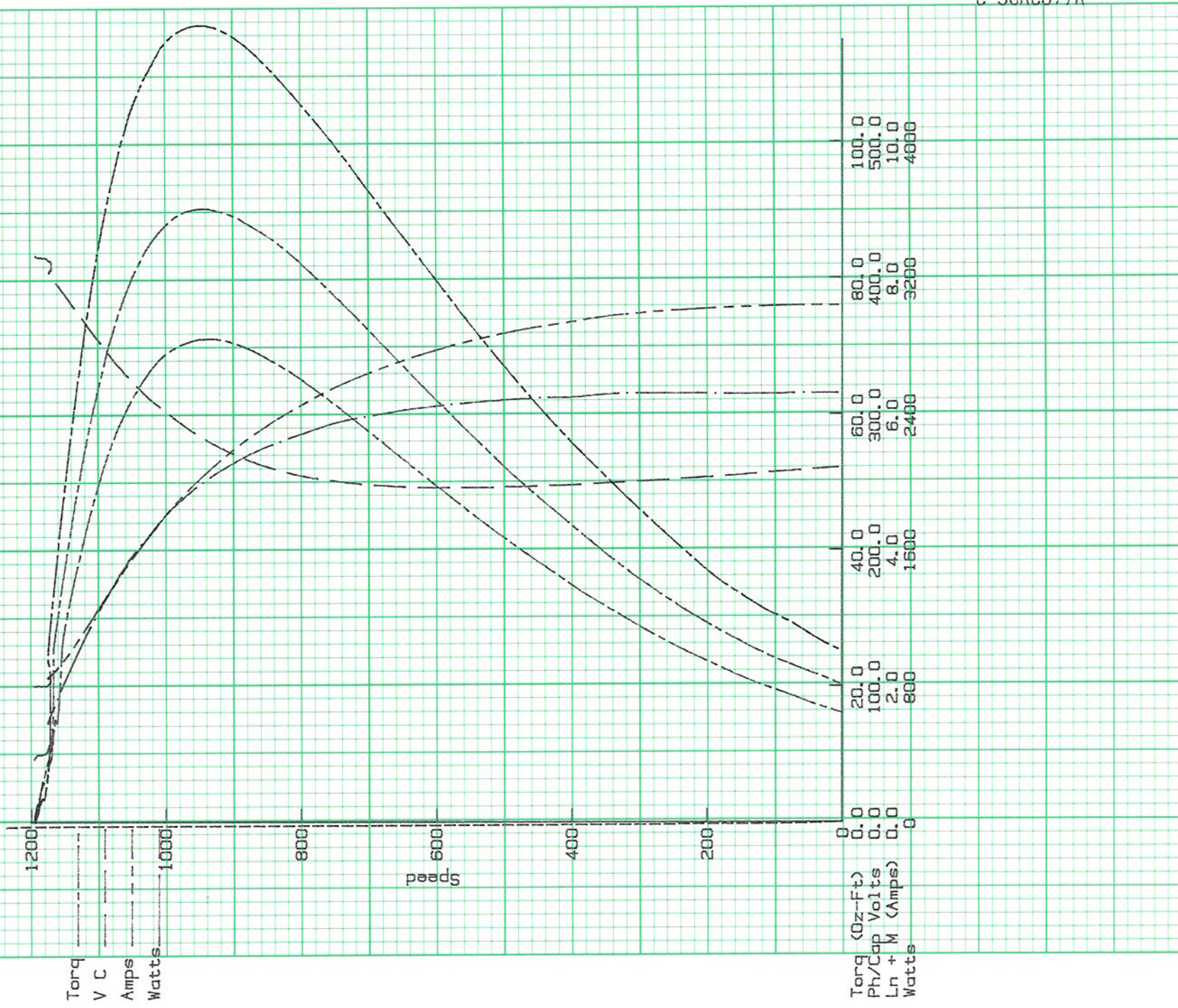
C31341

A. O. SMITH CORPORATION, ELECTRICAL PRODUCTS COMPANY

C31341  
~~C-96AC077A~~

Type: FLL Fr: 48 HP: 1.00 Rot: CCW Model: 96AC077A  
Motor No.: 2 Volts: 460 RPM: 1100 Hz: 60 Cap: 15.9 mfd  
3/29/96 19:51:42

F48G81A50



NO. XY 1001-SP3

CAD ONE, INC.



## Specification & Rating Report

Item Number: **BDH1106**

Specification Number: **1**

Model Number: **F48K47A01**

Carton Label Model  
Number:

Customer Model  
Number:

Agency Type:

CE: **N**

CSA: **Y**

UL: **Y**

UL Explosion Proof Rating:

Sample Number:

Customer Specification  
Number:

Catalog Number: **BDH1106**

CE Number:

CSA Number: **NO**

UL Number: **NO**

Cubic Feet Per Minute:

F2 Assembly:

UPC Model Number: **786674013613**

UPC Catalog Number: **786674013613**

Nameplate Drive  
Bearing Type:

Nameplate Opposite  
Drive Bearing Type:

Capacitor:

Capacitor Rating MFD: **15**

Control Code:

DC Design Number:

Form Factor:

Connection Diagram:

Lubrication Label  
Diagram:

Outline Diagram: **BDH1106-S01**

Ambient Temperature: **40**

Label Drive Bearing **BALL**  
Type:

Label Opposite Drive **BALL**  
Bearing Type:

Capacitor Included: **N**

Capacitor Rating VAC: **370**

Design Status:

Features:

Installation Diagram:

Warning Label  
Diagram:

Outline Graphic: **16A**

Insulation Class: **B**



## Specification & Rating Report

---

Protector: <b>AUTOMATIC</b>	Thermal Protection:
Nameplate Overload:	Label Overload:
IP Code:	
Nameplate Enclosure: <b>OPEN</b>	Label Enclosure: <b>OPEN</b>
Frame Length: <b>5.5</b>	Frame Length UOM:
Frame Diameter:	Frame Diameter UOM:
Frame Size: <b>48Y</b>	
Frame Material: <b>ROLLED STEEL</b>	End Frame Material:
Operator Instruction Manual:	
Nameplate Mounting:	Label Mounting: <b>BELLY BAND</b>
Base Height:	Base Height UOM:
Ring Diameter:	RingDiameterUOM:
Nameplate:	Carton Label:
Nameplate Location <b>L</b> Format:	
Brake:	Tachometer:
Layer Quantity:	Pallet Quantity:
Phase: <b>1</b>	CurrentType:
DC Pole:	
Poles: <b>6</b>	
Speeds: <b>3</b>	
Duty: <b>AIR OVER</b>	
Shaft Diameter: <b>1/2</b>	Shaft Diameter UOM:
Shaft Extension: <b>4.5</b>	Shaft Extension UOM:
Shaft Material:	Rotation: <b>REVERSIBLE</b>
Shaft Type: <b>FLAT</b>	
Motor Type: <b>UF</b>	
Motor Use:	
Nameplate 1:	
Nameplate 2:	
Nameplate Text 1:	



## Specification & Rating Report

---

Nameplate Text 2:

Nameplate Text 3:

Nameplate Text 4:

Label Text 1: **PERMANENT  
SPLIT  
CAPACITOR**

Label Text 2:

Label Text 3:

Label Text 4:

Brand Line:

Vendor Line:

Motor Weight:

Motor Weight UOM:

Shipping Weight:

Shipping Weight UOM:

Armature Field  
Winding:

Core Length:

Core Length UOM:

Winding Code:

Winding Specification:

Nameplate Only  
Instructions:

Nameplate & Label  
Instructions:

Label Only  
Instructions:

## Specification & Rating Report



Rating Number: 1

Horsepower: 1

Volts: **460**

Hertz: **60**

Field Current:

Revolutions Per Minute: **1100/3 SPD**

Service Factor: **1.0**

Service Factor Amps:

NEMA Code:

NEMA Design:

Customer Nameplate Number:

Kilowatts:

Amps: **3.2**

Maximum Amps:

Armature Current:

Power Factor:

Service Factor Volts:

NEMA Nominal Efficiency: **66.6**

NEMA Guaranteed Efficiency: