

PRODUCT INFORMATION PACKET

marathon[®]
Motors

Model No: 056B17DRR70035A1

Catalog No: C181B

General Purpose Motors

Regal and Marathon are trademarks of Regal Rexnord Corporation or one of its affiliated companies.
©2021 Regal Rexnord Corporation, All Rights Reserved. MC017097E

The logo for Regal Rexnord, featuring a stylized 'R' icon followed by the text 'RegalRexnord'.

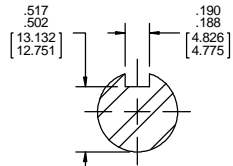
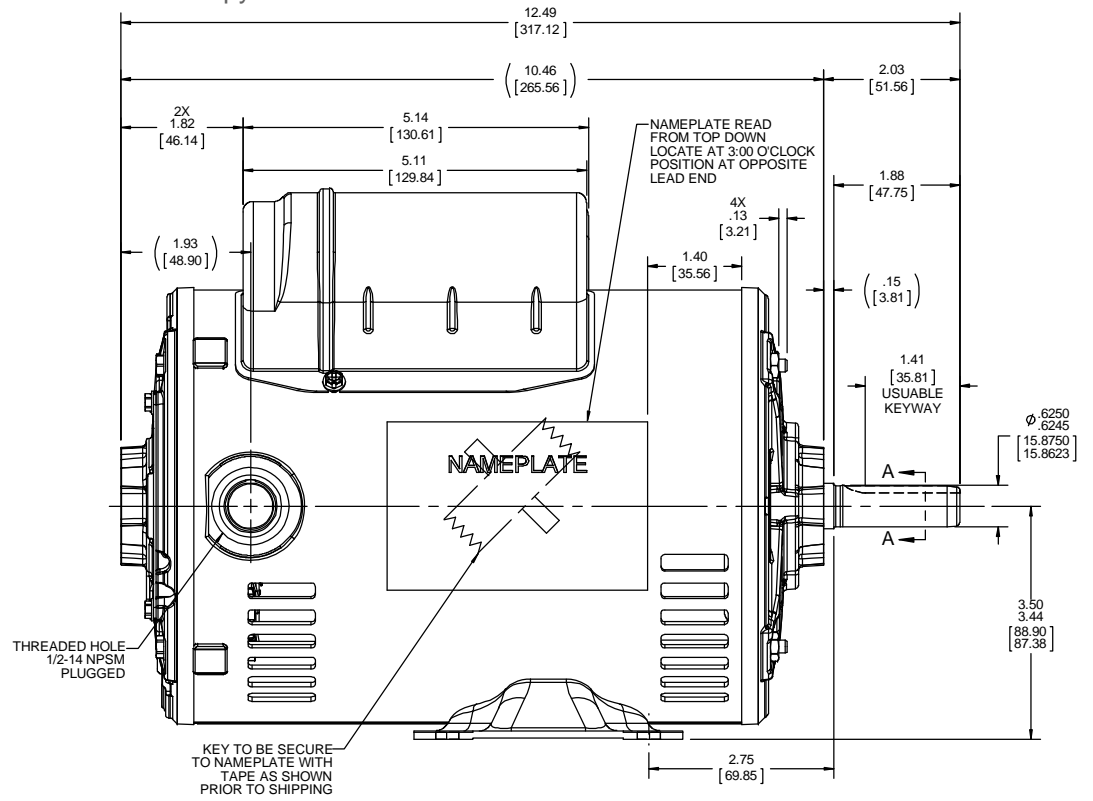
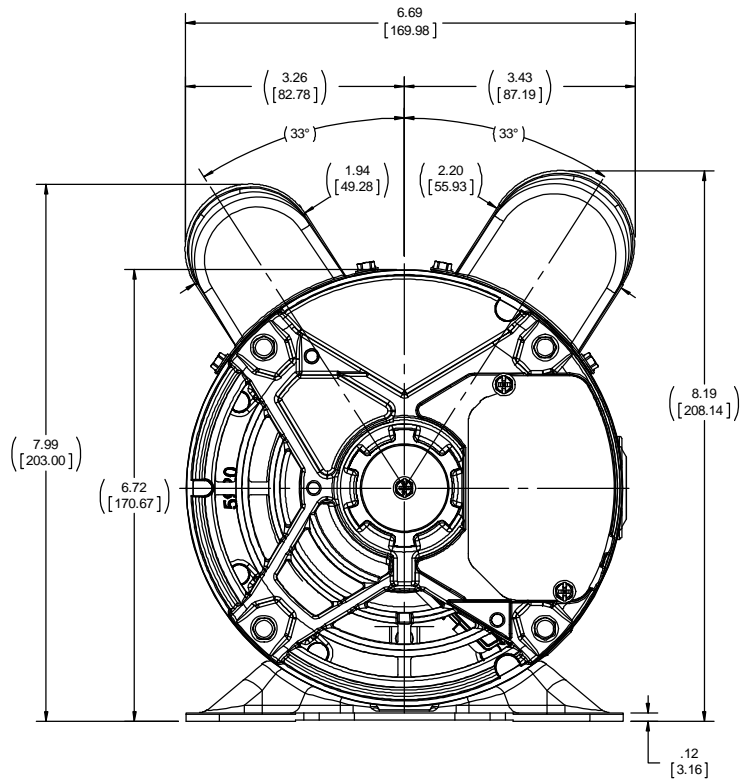
Nameplate Specifications

Output HP	1 Hp	Output KW	.75 kW
Frequency	60/50 Hz	Voltage	115/208-230 V
Speed	1425 rpm	Service Factor	1.25
Phase	1	Efficiency	82.6 %
Power Factor	96	Duty	CONTINUOUS
Insulation Class	B3	Design Code	N
KVA Code	K	Frame	56
Enclosure	DP	Thermal Protection	NOT
Ambient Temperature	40 °C	Drive End Bearing Size	6203
Opp Drive End Bearing Size	6203	UL	C - LE,SP-UL REC INS,CONST
CSA	Y	CE	Y
IP Code	12		

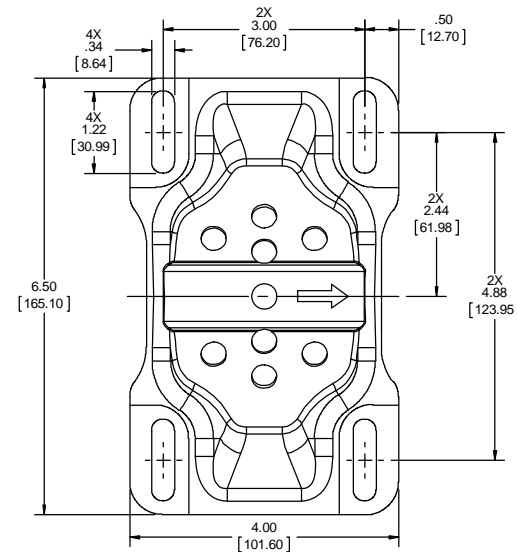
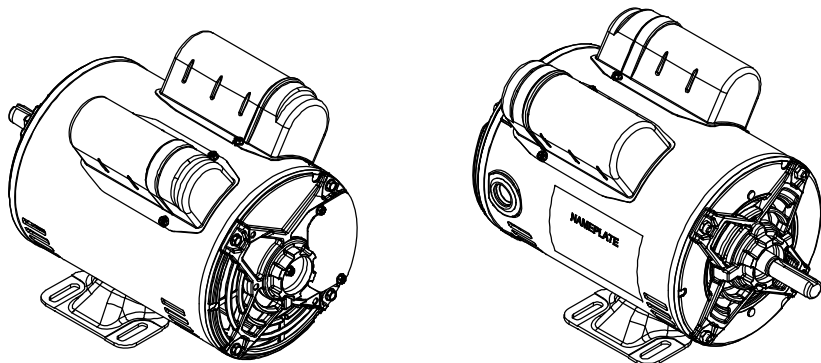
Technical Specifications

Starting Method	ACROSS THE LINE	Poles	4
Rotation	SELECTIVE CCW	Resistance Main	2.12 Ohms
Mounting	RIGID	Motor Orientation	HORIZONTAL
Drive End Bearing	BALL	Opp Drive End Bearing	BALL
Frame Material	ROLLED STEEL	Shaft Type	STANDARD 56
Assembly/Box Mounting	F1 ONLY		
Outline Drawing	OL56100502-001	Connection Drawing	CDBD102

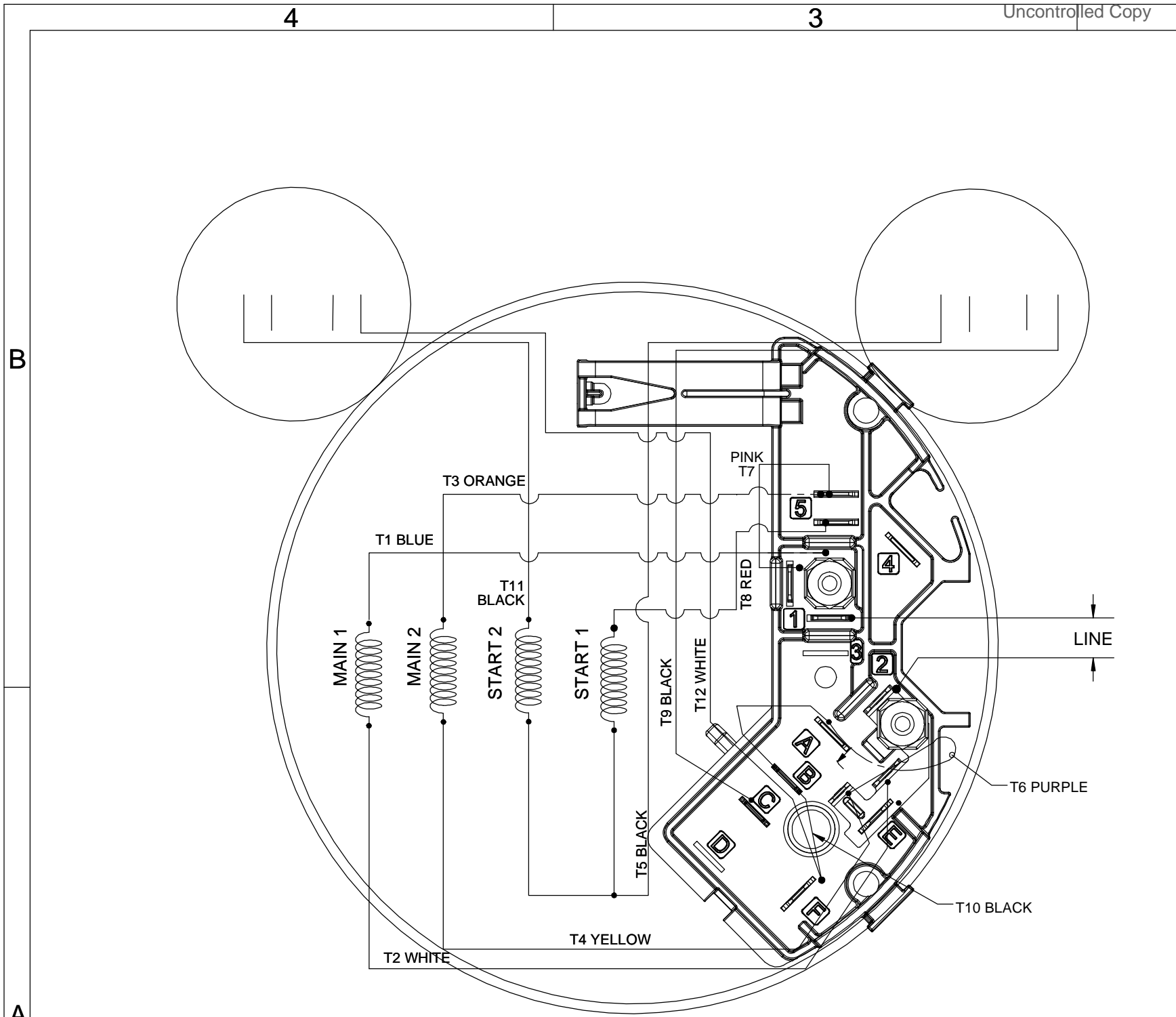
This is an uncontrolled document once printed or downloaded and is subject to change without notice. Date Created:10/11/2021



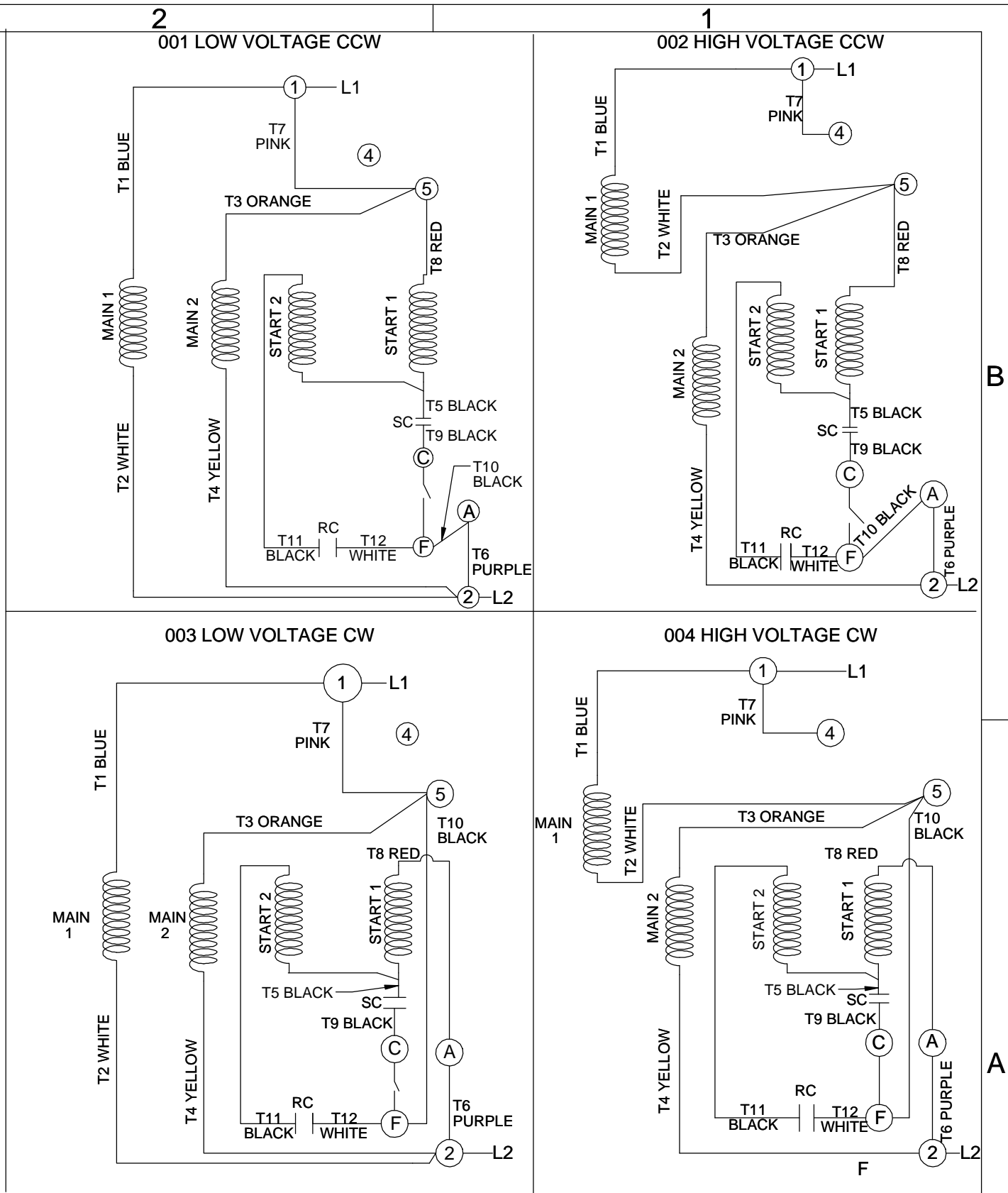
SECTION A-A



DRAWING REVISION B	REVISION BY KB	DATE 10/26/18	TOLERANCES UNLESS OTHERWISE SPECIFIED: DEC. INCH mm ANGLE .X .XX .XXX .XXXX ±0.1 ±0.03 ±0.005 ±0.0025 ±0.25 ±0.127 ±0.127 ±0.0127	DRAWN BY D. SURYAWANSHI	Regal Beloit America, Inc.
ECO-0155470	APPROVED BY SN	DATE 10/26/18	REMOVE BURRS & BREAK SHARP EDGES: .0031 [0.15] X 45° CORNER FILLETS: R.02 [.51] MACHINED SURFACES: .125 / 3.2 INCH/ mm SHOWN IN [BRACKETS]	DATE 07/19/2018	
ECO DESCRIPTION UPDATED MOTOR ASSEMBLY COPYRIGHT REGAL BELOIT AMERICA, INC. ALL RIGHTS RESERVED. PROPRIETARY AND CONFIDENTIAL INFORMATION. THIS DOCUMENT IS THE PROPERTY OF REGAL BELOIT AMERICA, INC. FORMERLY AND CONTAINS OWNERS PROPRIETARY INFORMATION. ANY PERSON, CORPORATION OR OTHER FIRM RECEIVING IT IS DENIED BY RECEIVING IT, TO AGREE THAT IT, AND ANY PART OF IT, SHALL NOT BE DISCLOSED TO ANY PERSON, CORPORATION OR OTHER ENTITY, DUPLICATED, AND/OR USED, EXCEPT AS EXPRESSLY APPROVED IN WRITING IN ADVANCE BY OWNER. THIS DOCUMENT SHALL BE RETURNED TO OWNER UPON REQUEST. IT MAY BE SUBJECT TO CERTAIN RESTRICTIONS UNDER APPLICABLE EXPORT CONTROL LAWS AND REGULATIONS.			REFERENCE OL56100502	APPROVED BY PVR	DESCRIPTION OUTLINE 56FR.ODP,1-PHASE,RIGID
			THIRD ANGLE PROJECTION	DATE 07/19/2018	MATERIAL
				SIZE C	PROCESS/FINISH
				DRAWING NUMBER OL56100502-001	SHEET 1 OF 1



CCW/CW ROTATION-CAP START AND CAP RUN DUAL VOLTAGE NO PROTECTOR



NOTES:

- FOR HI VOLTAGE REMOVE T7 FROM TERMINAL #5 AND PLACE ON TERMINAL #4, REMOVE T2 FROM TERMINAL #2 AND PLACE ON TERMINAL #5
- TO REVERSE ROTATION, INTERCHANGE T8 & T10.
- SWITCH REF. 10003283-001-001.
- CONN. DIAGRAM NAMEPLATE DD10065-001, T No's, -002, Colors with T No's.

DRAWING REVISION D	REVISION BY SHESHI	DATE 10/26/2018
ECO ECO-0155470	APPROVED BY CD	DATE 10/28/2018
ECO DESCRIPTION 10003283-001-001 SWITCH WAS 10003285-001-001		
<small>COPYRIGHT REGAL BELOIT AMERICA, INC. ALL RIGHTS RESERVED. PROPRIETARY AND CONFIDENTIAL INFORMATION - THIS DOCUMENT IS THE PROPERTY OF REGAL BELOIT AMERICA, INC. ("OWNER") AND CONTAINS OWNER'S PROPRIETARY INFORMATION. ANY PERSON, CORPORATION OR OTHER FIRM RECEIVING IT IS DEEMED, BY RECEIVING IT, TO AGREE THAT IT, AND/OR ANY PART OF IT, SHALL NOT BE DISCLOSED TO ANY PERSON, CORPORATION OR OTHER ENTITY, DUPLICATED, AND/OR USED, EXCEPT AS EXPRESSLY APPROVED IN WRITING IN ADVANCE BY OWNER. THIS DOCUMENT SHALL BE RETURNED TO OWNER UPON REQUEST. IT MAY BE SUBJECT TO CERTAIN RESTRICTIONS UNDER APPLICABLE EXPORT CONTROL LAWS AND REGULATIONS.</small>		

TOLERANCES UNLESS OTHERWISE SPECIFIED:		
DEC.	INCH	mm
.X	±0.1	[±2.5]
.XX	±0.01	[±0.25]
.XXX	±0.005	[±0.127]
.XXXX	±0.0005	[±0.0127]
REMOVE BURRS & BREAK SHARP EDGES: .003/.015 [.076/.381] CORNER FILLETS: .02 [.51] MACHINED SURFACES: 125 INCH 3.2 mm		

DRAWN BY G. RODRIGUEZ	DATE 01-18-2017
APPROVED BY E. MARTINEZ	DATE 01-18-2017
REFERENCE CDD102	THIRD ANGLE PROJECTION

Regal Beloit America, Inc.	
DESCRIPTION CONN DIAGRAM-EXTERNAL	
MATERIAL	PROCESS/FINISH
SIZE B	DRAWING NUMBER CDBD102
SHEET 1 OF 1	