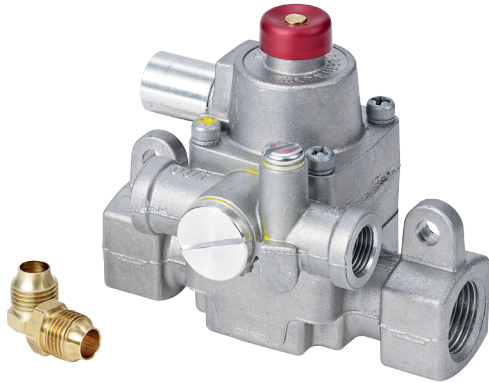


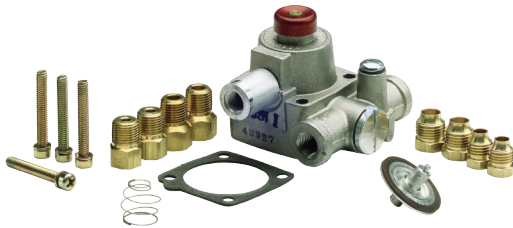


Robertshaw®

GAS VALVES - THERMOMAGNETIC SAFETY



1720-004



1720-801

1720 Series

The Robertshaw® 1720 Series Thermomagnetic Safety Valve is a control used to cut off the flow of gas to the burner in the event of a pilot outage. The magnet assembly is energized by voltage generated by a thermocouple that is heated by the pilot flame. When this flame is extinguished, the thermocouple voltage decreases until a spring overcomes the magnetic force and closes off both the pilot and main gas. This control can be used for commercial and residential ovens, infrared heaters, chicken and pig brooders, recreational vehicle gas appliances and many more applications requiring automatic safety valves.

Features and Benefits

- 300°F (149°C) ambient temperature rated and 350°F (177°C) versions available
- J models available with separate pilot inlet/outlet tube connections
- K models are pilot outlet only
- Compatible with other Robertshaw models such as the BJWA, FD, and GS series thermostats
- RoHS compliant

Specifications

Part Numbers	Description	Body Inlet & Outlet	Head Pilot Inlet & Outlet	Ambient Temperature	Max Pressure
1720-004	TS11J Complete Magnet and Body Assembly	7/16" Tube	1/4" Tube	32°F to 300°F (0°C to 149°C)	0.5 PSI
1720-005	TS11J Complete Magnet and Body Assembly	1/4" Pipe	3/16" Tube	32°F to 300°F (0°C to 149°C)	0.5 PSI
1720-007	TS11J Complete Magnet and Body Assembly	1/2" Pipe	1/4" Tube	32°F to 300°F (0°C to 149°C)	0.5 PSI
1720-008	TS11J Complete Magnet and Body Assembly	1/4" Pipe	1/4" Tube	32°F to 300°F (0°C to 149°C)	0.5 PSI
1720-801	TS11J J Magnet Head Only - Inlet and Outlet	NA	Kit, 1/8" Pipe, 3/16" Tubing, 1/4" Tubing	32°F to 300°F (0°C to 149°C)	0.5 PSI
1720-802	TS11K K Magnet Head Only - Outlet Only	NA	Kit, 1/8" Pipe, 3/16" Tubing, 1/4" Tubing	32°F to 300°F (0°C to 149°C)	0.5 PSI

RoHS

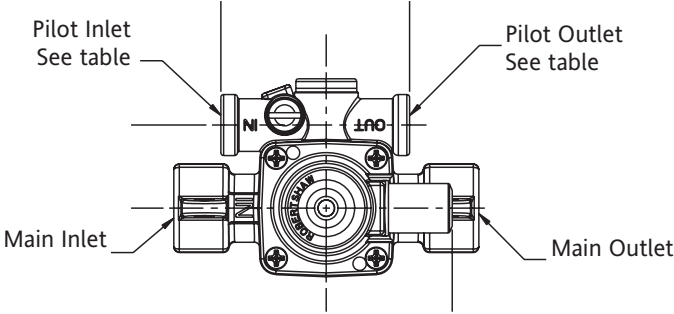




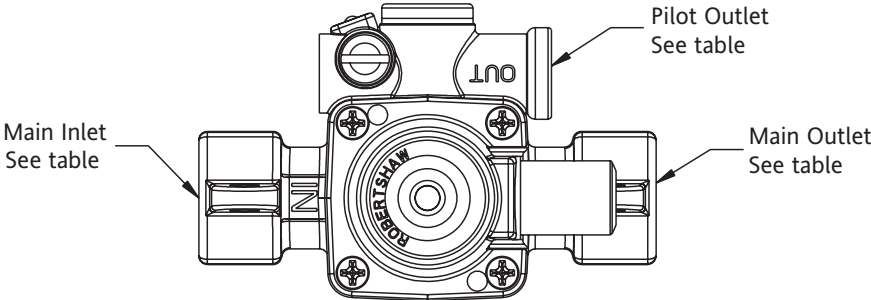
Product Drawings

Product Dimensions - Dimensions are inches and [millimeters].

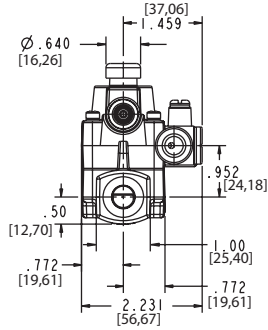
J Model Top with Pilot In and Out



TS11 K Model Top with No Pilot Inlet



Side



Front

