

4290-008

GAS THERMOSTATS

4290 Series

The Robertshaw® 4290 Series Gas Thermostat is a snap-acting hydraulic thermostat and used to provide temperature control by interrupting gas flow to the burner. The 4290 Series gas thermostat is available for a wide variety of applications including small ovens, griddles, brooders, warming cabinets, and fryers.

Features and Benefits

- Capable up to 30,000 BTUs
- Applicable to use with high capacity gas operated diaphragm valves (700-800 Series) to reach 600,000 BTUs
- Available in various temperature ranges, with temperature control up to 500°F (288°C)
- Snap-acting from Off position to full gas flow
- Adapts to limited mounting space
- Bulb and capillary assemblies supplied in nickel plated copper or stainless steel
- Dials in heat resistant plastic are included
- Ambient temperature is 200°F (93°C)

Specifications

Part Numbers	Description	Capillary Length	Bulb Size	Inlet Size	Outlet Size	Stuffing Box	Pilot Outlet	Stem Flat	Temperature Range
4290-006	GS Gas Snap-Action Hydraulic Control	30"	3/8" x 5-3/8" Nickel	1/4" Tubing	1/4" Tubing	1/4" Nickel	NA	Down	200°F to 410°F (93°C to 210°C)
4290-008	GS Gas Snap-Action Hydraulic Control	60"	3/8" x 4-1/2" Nickel	3/8" Pipe	3/8" Pipe	3/8" Nickel	NA	Down	60°F to 250°F (16°C to 121°C)
4290-020	GS Gas Snap-Action Hydraulic Control	36"	3/16" x 13" Nickel	1/4" Tubing	1/4" Tubing	NA	NA	Down	200°F to 550°F (93°C to 288°C)

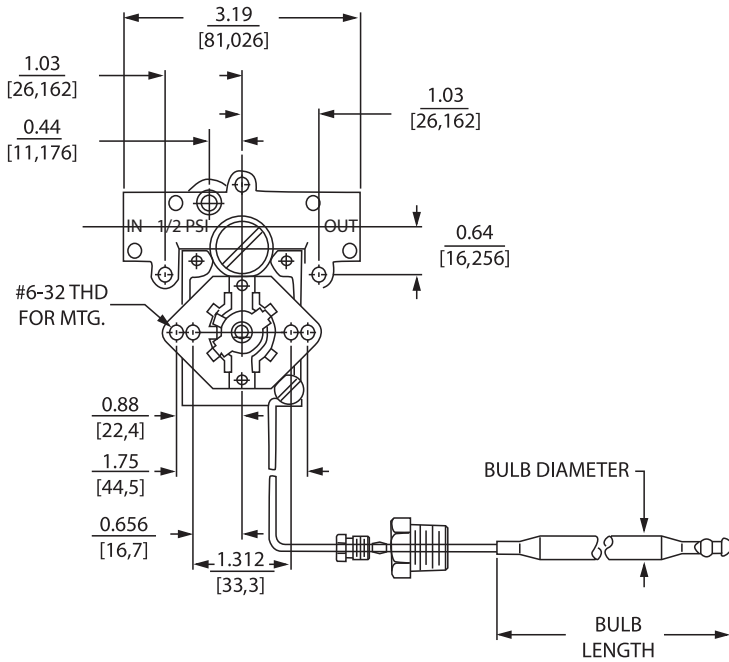




Product Drawings

Product Dimensions - Dimensions are inches and [millimeters].

Front View



Right View

