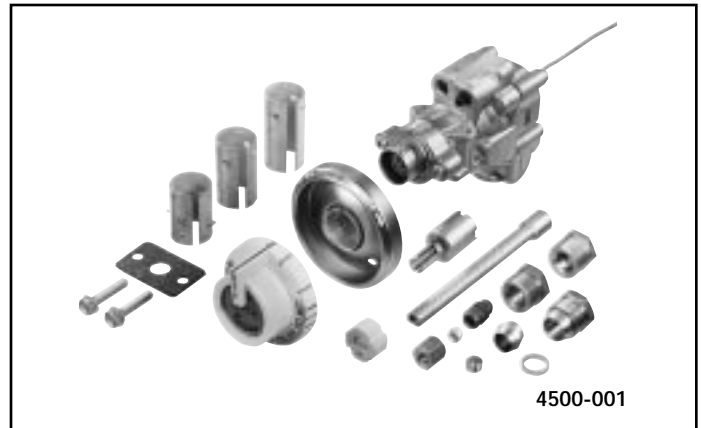


DOMESTIC GAS THERMOSTATS

4500 (BJ SERIES) STANDARD REPLACEMENT KITS TEMPERATURE RANGE 250 TO 550°F

The 4500 Series (BJ) was produced in very large numbers and in many variations. Virtually every gas range manufactured at one time used either a BJ or a similar competitive product on the equipment they manufactured. The 4500 Series (BJ) kits are designed to provide the service technician "one call" field replacement of the vast majority of BJ and competitive variations of this widely used control.

Kit includes a 4-position dial which allows the control to be mounted in any of the four mounting positions while retaining the correct "off" indexing. Outlet position on the control is down – 6 o'clock, but may be rotated to 3 o'clock, 9 o'clock or 12 o'clock (instructions included).



4500-001

DIAL GUIDE IS ORANGE COLOR CODED ON OLD CONTROL AND ON THE NEW KIT CONTROLS.

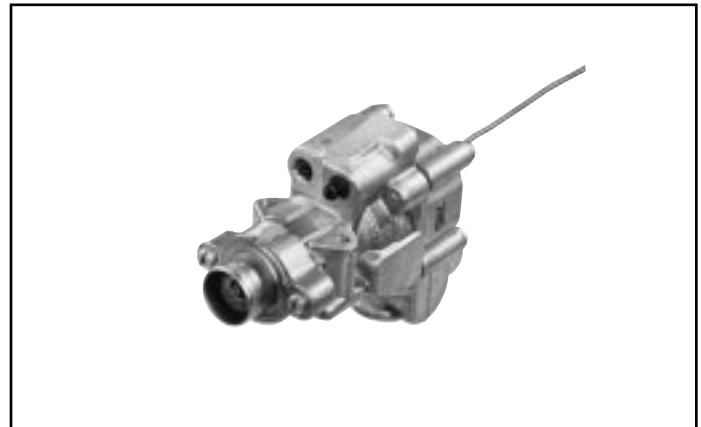
ORDERING DATA

UNI-LINE ORDER NO.	APPLICATION	TEMPERATURE RANGE	OUTLET SIZE	OUTLET TAPPING POSITION	CAPILLARY LENGTH	BULB SIZE
4500-001	OVEN	250°-550°	7/16" TUBING	C	48"	3/16" X 3-7/8" COPPER

4500-901 EXACT REPLACEMENT

ORDERING DATA

UNI-LINE ORDER NO.	CAPILLARY LENGTH	DESCRIPTION
4500-901	48"	SAME AS 4500-001 WITHOUT PARTS



4500-902 UNIVERSAL STREAMLINE KIT

ORDERING DATA

UNI-LINE ORDER NO.	CAPILLARY LENGTH	DESCRIPTION
4500-902	48"	SAME AS 4500-001 WITH ONLY BEZEL KNOB, MOUNTING BOLTS AND GASKET

