



WATER HEATING

5600 ELECTRIC WATER HEATING THERMOSTATS

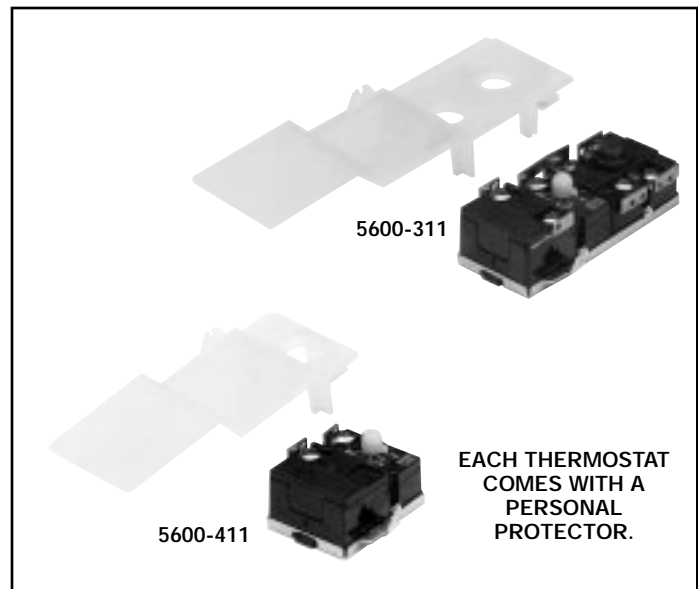
The 5600 Series electric water thermostats are designed for replacement on domestic and commercial water heaters.

The 5600 Series features thermostat (automatic cycling) and high limit (manual reset) in one small housing. Compact size (3-3/4" overall length) assures firm clamp to tank. Controls have snap action operation, fast and easy wiring, and adjustable temperature ranges. See ordering chart for exact ranges available.

Models are  recognized and  approved.
UL file # E47244 CSA file # LR57161

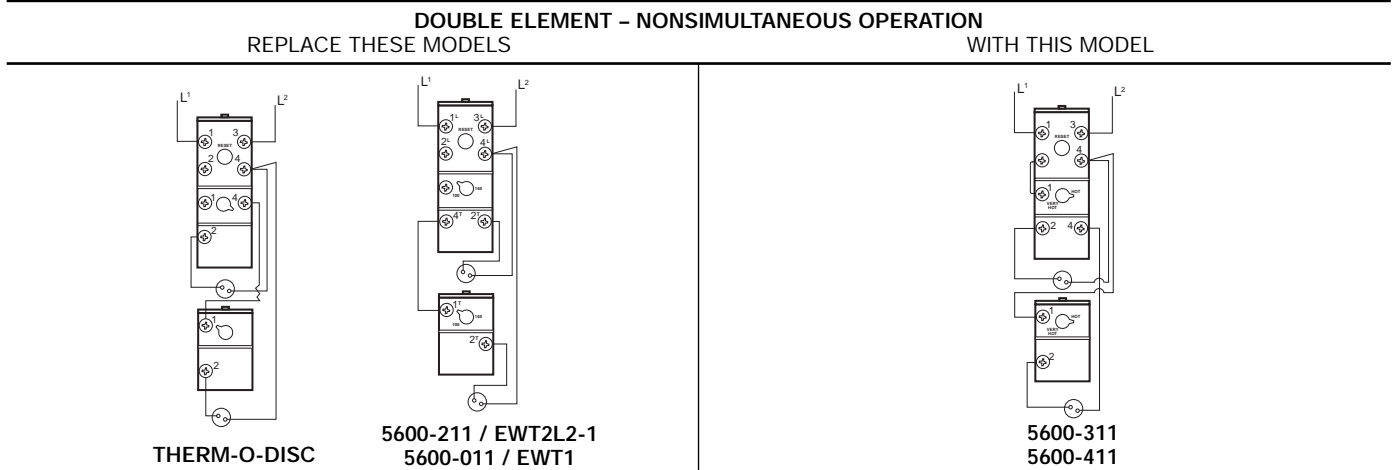
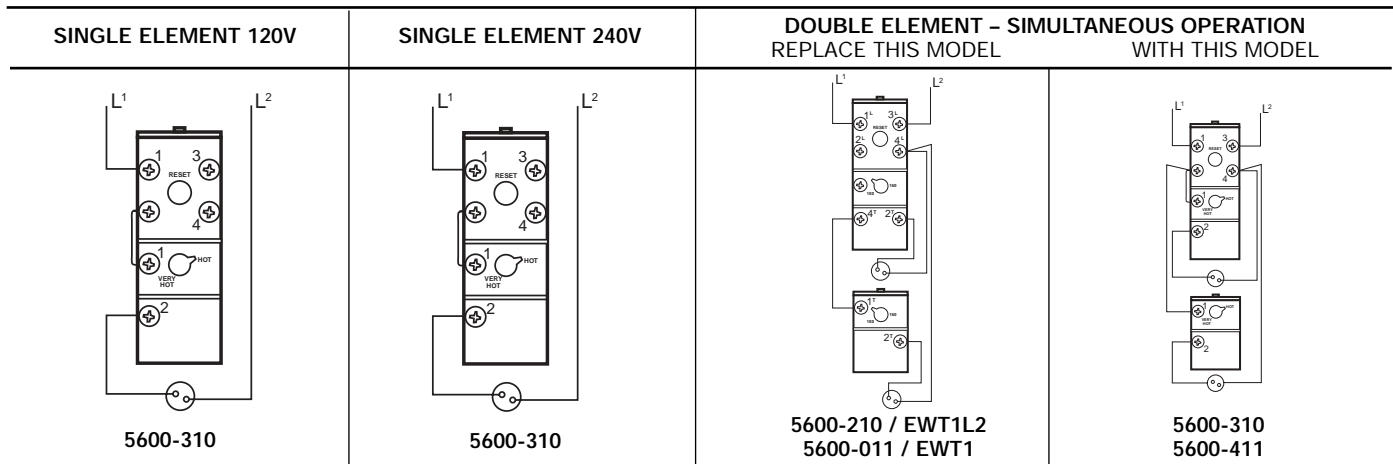
ELECTRICAL RATING

THERMOSTAT CONTROL	HI-LIMIT CONTROL (Manual reset portion)	WATTAGE INPUT
30 amp @ 120-250 VAC	40 amp @ 277 VAC	3600 W @
22 amp @ 277 VAC	25 amp @ 480 VAC	120 VAC
12.5 amp @ 480 VAC	125 VA pilot duty @	7200 W @
125 VA pilot duty @	120-480 VAC	240 VAC
120-480 VAC		



ORDERING DATA

UNI-LINE ORDER NO.	REPLACES	TYPICAL APPLICATION	SWITCH TYPE	TEMP. RANGE	DIFF.
5600-411	5600-011/EWT1	LOWER	SPST	120° - 160° ± 5	7° - 17°
5600-310	5600-210/EWT1L2	SINGLE	SPST/DPST HIGH LIMIT	120° - 160° ± 5 LIMIT 190° ± 5	7° - 17°
5600-311	5600-211/EWT2L2	UPPER	SPDT/DPST HIGH LIMIT	120° - 160° ± 5 LIMIT 190° ± 5	17° - 27°



A COMPLETE CROSS-REFERENCE IS SHOWN ON PAGE C10.