


# 30 mm Heavy Duty, Watertight/Oiltight, Class 52

## Pushbutton complete units

### Features

- Octagonal Mounting Nuts
- Meets Type 1, 3, 3R, 4, 4X, 12, 13 and Automotive Standards
- Heavy Duty Rated NEMA A600/P600 Contacts
-  Positively Driven Contacts
- Positive Indexing Selectors
- Bifurcated Movable Contacts
- Attractive Chrome Plating
- Boots Not Required for Type 4
- UL Listed File # E22655
- CSA Certified File # LR6535
- Touchsafe Terminals

### Application

Oil tight pilot controls and accessories are designed to provide long, trouble free service in the most demanding industrial applications. These controls are oil and dust tight and meet Type 3, 4, 4X, 12 and 13 specifications.

### Rugged

Industrial control operators are durable one piece castings. Heavy duty plastic buttons resist oils and corrosion. Silver contacts carry heavy duty ratings.

### Flexible

Accessories modify standard push buttons, selector switches and pilot lights. Building block construction of contact blocks makes possible many circuitry combinations.

### Industrial Appearance

Pilot controls add luster to panels. Chrome plating covers exposed metal parts.

### Push Button Operators


The Operator Base consists of a durable, one piece casting equipped with a heavy duty actuator with a stainless steel spring, a neoprene actuator sealing ring to prevent oil and dust from penetrating to the contact blocks, a neoprene gasket to seal operator mounting hole and a chrome plated lock nut.

### Mushroom Head Push Button Operators

The Mushroom Head base construction is identical to the push button base. The actuator is molded of high impact material for either a 1 5/8 inch or 2 1/2 inch diameter molded head.

E-STOP Mushroom Head Operators according to EN 60947-5-5 Cat. No. 52BP, 52BR, 52PP, and 52PR, 2 Position, Twist-To-Release & 2 Position, Push Pull Maintained operators provided with red operating heads and 52BJK contact blocks meet the requirements of EN 60947-5-5 for Electrical Emergency Stop Device With Mechanical Latching Function (e-stop).

### Contact Blocks

Contact Blocks have double break bifurcated silver contacts, with gold flashing as standard, which improves contact reliability. Contact blocks are heavy duty rated NEMA A600 and suitable for applications down to 5V/1MA solid state outputs. 52BJK offers  Positive Opening Contacts according to IEC 60947-5-1, Appendix K. Molded bodies and pushers resist arcing and tracking. All units have stainless steel springs that resist corrosion and provide strong contact pressure. Captive mounting screws speed panel assembly.

### Push Pull Operators

Push Pull Operators combine two or three functions in one unit. The maintained operator has two positions, typically pull to start, push to stop. The momentary operator with three positions provides spring return from both pull and push positions. In addition, a three position push maintained, pull momentary operator is available. The actuator come is 1 3/4 inch or 2 1/2 inch diameter and is available in an illuminated version.

### 2 Button Maintained Operator

Maintained Push Buttons consist of two push buttons and a latching assembly. When actuated the button remains depressed and is freed only by the release operator to which it is linked. The button assembly adjusts for mounting from a 1 13/16 inch to a 2 5/8 inch center.

### Transformer Type Pilot Lights

Transformer Type Pilot Lights are available with a 120, 240, 480 or 600 Volt primary (50/60 Hertz) and a separate secondary winding which supplies reduced voltage to a miniature bayonet base 6 Volt lamp. These units are suitable for applications where vibration is present and long bulb life is desirable.

### Full Voltage Type Pilot Lights

Full Voltage Pilot Lights are available for 6, 12, 24 and 120 Volt AC and DC applications.

### Electrical Ratings

NEMA AC Ratings 50/60Hz

NEMA A600 10 Continuous Amps

| Volts | Make | Break |
|-------|------|-------|
| 120   | 60   | 6     |
| 240   | 30   | 3     |
| 480   | 15   | 1.5   |
| 600   | 12   | 1.2   |
| VA    | 7200 | 720   |

### Ordering Information

- Accessories: [pages 10/207 – 10/210](#)
- Selector Position and Contact Operation: [page 10/205 – 10/206](#).
- Legend Plates: [page 10/218](#).
- Enclosures: [page 10/219](#).
- Technical Specifications: [page 10/220](#).

### Resistor Type Pilot Lights

Resistor Type Pilot Lights are available for 240 Volt AC and DC applications. The 240 Volt pilot light is supplied with a 120 Volt lamp and a voltage dropping resistor.

### LED Type Pilot Lights

LED's (light emitting diodes) can be used in pilot lights instead of incandescent bulbs because of their long life (up to 10 years), resistance to vibration and ambient sensitivity. Clusted LED options are available for standard pilot lights only. Cluster LED options are not available on Push to test Pilot Lights, Illuminated Pushbuttons, Push-pull, or Twist-to-Release Operators.

### Integrated LED Module Type Pilot Lights

The integrated LED module is available for 24, 120, and 240 V. LED modules are vibration resistant and have a long life (up to 10 years). The integrated LED module is available for 24, 120, and 240 V. LED modules are vibration resistant and have a long life (up to 10 yrs.).

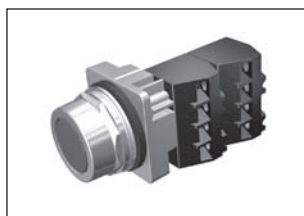
### Selector Operators

Selector Operators have positive action indexing. Operators are available with either a short or long lever. The molded black lever is designed to accept a color insert. A white insert is provided as standard. Each operator is equipped with a cam to actuate plungers of contact blocks assembled behind the operator. Two, three and four position operators are available with seven different cams.

Lever color inserts are available in 8 colors.



Indicator Light



Push Button



Selector Switch



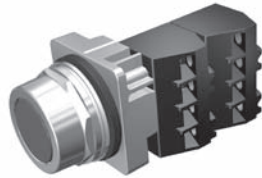
Selector Push Button

# 30mm Water, Oil Tight & Corrosion Resistant – Class 52

## Push Button

### Selection Guide

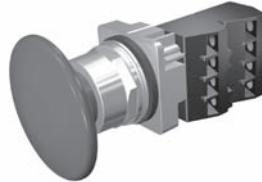
#### Momentary Push Button - Non-Illuminated



Flush Head



Extended Head



Large Mushroom Head 2 1/2"



Small Mushroom Head 1 3/4"

|                    |           |          |                      |          |          |                      |
|--------------------|-----------|----------|----------------------|----------|----------|----------------------|
| <b>Part Number</b> | <b>52</b> | <b>a</b> | <b>M</b><br><b>b</b> | <b>c</b> | <b>d</b> | <b>e<sup>1</sup></b> |
|--------------------|-----------|----------|----------------------|----------|----------|----------------------|

|          |             |                          |
|----------|-------------|--------------------------|
| <b>a</b> | <b>Code</b> | <b>Finish</b>            |
|          | <b>P</b>    | Chrome - Command 52      |
|          | <b>B</b>    | Epoxy Coated - Black Max |

|          |             |                       |
|----------|-------------|-----------------------|
| <b>b</b> | <b>Code</b> | <b>Type</b>           |
|          | <b>M</b>    | Momentary Push Button |

|          |             |                                         |
|----------|-------------|-----------------------------------------|
| <b>c</b> | <b>Code</b> | <b>Style / Head Type</b>                |
|          |             | <b>Flush / Extended Cap<sup>2</sup></b> |
|          | <b>8A</b>   | Flush                                   |
|          | <b>8B</b>   | Extended                                |
|          |             | <b>Mushroom Head Metal</b>              |
|          | <b>9A</b>   | Small Mushroom Head 1 3/4" (44.5mm)     |
|          |             | <b>Mushroom Head Plastic</b>            |
|          | <b>9W</b>   | Small Mushroom Head 1 3/4" (44.5mm)     |
|          | <b>9V</b>   | Large Mushroom Head 2 1/2" (63.5mm)     |

|          |             |                |              |
|----------|-------------|----------------|--------------|
| <b>d</b> | <b>Code</b> | <b>Plastic</b> | <b>Metal</b> |
|          | <b>1</b>    | Black          | —            |
|          | <b>2</b>    | Red            | Red          |
|          | <b>3</b>    | Green          | Green        |
|          | <b>4</b>    | Yellow         | —            |
|          | <b>5</b>    | Blue           | —            |
|          | <b>6</b>    | Gray           | —            |
|          | <b>7</b>    | All Color Caps | —            |
|          | <b>8</b>    | Orange         | —            |
| <b>C</b> | —           | Chrome         |              |

|                      |             |                       |
|----------------------|-------------|-----------------------|
| <b>e<sup>1</sup></b> | <b>Code</b> | <b>Contact Blocks</b> |
|                      | <b>A</b>    | 1 NO + 1 NC           |
|                      | <b>B</b>    | 2 NO + 2 NC           |
|                      | <b>C</b>    | 3 NO + 3 NC           |
|                      | <b>D</b>    | 4 NO + 4 NC           |
|                      | <b>E</b>    | 1 NC (LB)             |
|                      | <b>F</b>    | 2 NO                  |
|                      | <b>G</b>    | 2 NC                  |
|                      | <b>H</b>    | 1NO (EM)              |
|                      | <b>J</b>    | 1 NC                  |
|                      | <b>K</b>    | 1 NO                  |

<sup>1</sup> For operator without contact blocks leave position e blank.  
<sup>2</sup> Products available fall 2014. For current product offer please refer to the 2010 Industrial Control Catalog.

Selection Tables

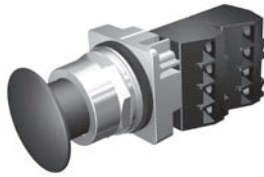
Momentary Push Button - Non-Illuminated

| Head Style                           | Contacts    | Color    | Finish          |                 |
|--------------------------------------|-------------|----------|-----------------|-----------------|
|                                      |             |          | Chrome          | Black Max       |
| Flush                                | —           | Less cap | <b>52PM8</b>    | <b>52BM8</b>    |
|                                      |             | Black    | <b>52PM8A1</b>  | <b>52BM8A1</b>  |
|                                      |             | Red      | <b>52PM8A2</b>  | <b>52BM8A2</b>  |
|                                      |             | Green    | <b>52PM8A3</b>  | <b>52BM8A3</b>  |
|                                      |             | Yellow   | <b>52PM8A4</b>  | <b>52BM8A4</b>  |
|                                      | 1 NO - 1 NC | Black    | <b>52PM8A1A</b> | <b>52BM8A1A</b> |
|                                      |             | Red      | <b>52PM8A2A</b> | <b>52BM8A2A</b> |
|                                      |             | Green    | <b>52PM8A3A</b> | <b>52BM8A3A</b> |
|                                      | 1 NO        | Black    | <b>52PM8A1K</b> | <b>52BM8A1K</b> |
|                                      |             | Red      | <b>52PM8A2K</b> | <b>52BM8A2K</b> |
|                                      |             | Green    | <b>52PM8A3K</b> | <b>52BM8A3K</b> |
|                                      | 1 NC        | Red      | <b>52PM8A2J</b> | <b>52BM8A2J</b> |
| Extended                             | —           | Black    | <b>52PM8B1</b>  | <b>52BM8B1</b>  |
|                                      |             | Red      | <b>52PM8B2</b>  | <b>52BM8B2</b>  |
|                                      |             | Green    | <b>52PM8B3</b>  | <b>52BM8B3</b>  |
|                                      | 1 NO        | Black    | <b>52PM8B1K</b> | <b>52BM8B1K</b> |
|                                      |             | Red      | <b>52PM8B2K</b> | <b>52BM8B2K</b> |
|                                      | 1 NC        | Red      | <b>52PM8B2J</b> | <b>52BM8B2J</b> |
| Mushroom<br>Head Plastic<br>Ø 1 3/4" | —           | Less cap | <b>52PM9</b>    | <b>52BM9</b>    |
|                                      |             | Red      | <b>52PM9W2</b>  | <b>52BM9W2</b>  |
|                                      | 1 NO        | Green    | <b>52PM9W3K</b> | <b>52BM9W3K</b> |
|                                      | 1 NO - 1 NC | Black    | <b>52PM9W1A</b> | <b>52BM9W1A</b> |
|                                      |             | Red      | <b>52PM9W2A</b> | <b>52BM9W2A</b> |
|                                      | 1 NO - 1 NC | Green    | <b>52PM9W3A</b> | <b>52BM9W3A</b> |
| Mushroom<br>Head Plastic<br>Ø 2 1/2" | —           | Red      | <b>52PM9V2</b>  | <b>52BM9V2</b>  |
|                                      |             | Black    | <b>52PM9V1A</b> | <b>52BM9V1A</b> |
|                                      | 1 NO - 1 NC | Red      | <b>52PM9V2A</b> | <b>52BM9V2A</b> |
|                                      |             | Green    | <b>52PM9V3A</b> | <b>52BM9V3A</b> |

Readily available items are in **bold**.  
This is a small representation of stocked items.

**Selection Guide**

2 & 3 Position Push-Pull Mushroom Head Devices - Non-Illuminated



Mushroom Head Metal Ø 1 3/4"



Mushroom Head Plastic Ø 2 1/2"



Mushroom Head Plastic Ø 1 3/4"

|                    |           |             |          |             |             |             |                      |
|--------------------|-----------|-------------|----------|-------------|-------------|-------------|----------------------|
| <b>Part Number</b> | <b>52</b> | <u>    </u> | <b>P</b> | <u>    </u> | <u>    </u> | <u>    </u> | <u>    </u>          |
|                    |           | <b>a</b>    | <b>b</b> | <b>c</b>    | <b>d</b>    | <b>e</b>    | <b>f<sup>3</sup></b> |

|          |             |                        |
|----------|-------------|------------------------|
| <b>a</b> | <b>Code</b> | <b>Finish</b>          |
|          | P           | Chrome-Command 52      |
|          | B           | Epoxy Coated-Black Max |

|          |             |             |
|----------|-------------|-------------|
| <b>b</b> | <b>Code</b> | <b>Type</b> |
|          | P           | Push Pull   |

|          |             |                                             |
|----------|-------------|---------------------------------------------|
| <b>c</b> | <b>Code</b> | <b>Function</b>                             |
|          | 2           | 2 positions - maintained <sup>1</sup>       |
|          | 3           | 3 positions - momentary in - momentary out  |
|          | 7           | 3 positions - maintained in - momentary out |

|          |             |                                |
|----------|-------------|--------------------------------|
| <b>d</b> | <b>Code</b> | <b>Style</b>                   |
|          | A           | Small metal 1-3/4" (44.5 mm)   |
|          | W           | Small plastic 1-3/4" (44.5 mm) |
|          | V           | Large plastic 2-1/2" (63.5 mm) |

|          |             |                          |                  |
|----------|-------------|--------------------------|------------------|
| <b>e</b> | <b>Code</b> | <b>Color</b>             |                  |
|          |             | <b>Plastic</b>           | <b>Metal</b>     |
|          | 1           | Black                    | —                |
|          | 2           | Red <sup>1</sup>         | Red <sup>1</sup> |
|          | 3           | Green                    | Green            |
|          | 4           | Yellow                   | —                |
|          | 5           | Blue                     | —                |
|          | 6           | Gray                     | —                |
|          | 8           | Orange                   | —                |
|          | C           | —                        | Chrome           |
|          |             | <b>No Operating Head</b> |                  |
|          | Z           | No head                  |                  |

|                      |             |                                           |
|----------------------|-------------|-------------------------------------------|
| <b>f<sup>3</sup></b> | <b>Code</b> | <b>Contact Blocks</b>                     |
|                      |             | <b>2 Position</b>                         |
|                      | A           | 1 NO + 1 NC <sup>1</sup>                  |
|                      | B           | 2 NO + 2 NC <sup>1</sup>                  |
|                      | C           | 3 NO + 3 NC <sup>1</sup>                  |
|                      | D           | 4 NO + 4 NC <sup>1</sup>                  |
|                      | E           | 1 NC (LB)                                 |
|                      | F           | 2 NO                                      |
|                      | G           | 2 NC <sup>1</sup>                         |
|                      | H           | 1 NO (EM)                                 |
|                      | J           | 1 NC <sup>1</sup>                         |
|                      | K           | 1 NO                                      |
|                      | Q           | 1 NO - 1 NC (ELB)                         |
|                      |             | <b>3 Position</b>                         |
|                      | U           | 1 NO - 1 NC extra late break <sup>2</sup> |

<sup>1</sup> EMERGENCY-STOP control devices according to IEC 60947-5-5 when provided with red operating head and positively driven NC contact blocks. Positive opening contacts according to IEC 60947-5-1, Appendix K.

<sup>2</sup> Blocks cannot be interchanged (stop-start circuit - pull to start, push to stop).

<sup>3</sup> For operator without contact blocks leave position f blank.

Selection Tables

2 & 3 Position Push-Pull Mushroom Head Devices - Non-Illuminated

|             |        | 2 pos - maintained          |                             |                             |                             |                             |                       |
|-------------|--------|-----------------------------|-----------------------------|-----------------------------|-----------------------------|-----------------------------|-----------------------|
|             |        | Metal Ø 1 3/4"              |                             | Plastic Ø 1 3/4"            |                             | Plastic Ø 2 1/2"            |                       |
| Contacts    | Color  | Chrome                      | Black Max                   | Chrome                      | Black Max                   | Chrome                      | Black Max             |
| —           | Black  | —                           | —                           | <b>52PP2W1</b>              | 52BP2W1                     | 52PP2V1                     | 2BP2V1                |
|             | Red    | <b>52PP2A2</b>              | 52BP2A2                     | <b>52PP2W2</b>              | <b>52BP2W2</b>              | <b>52PP2V2</b>              | 52BP2V2               |
|             | Green  | 52PP2A3                     | 52BP2A3                     | <b>52PP2W3</b>              | 52BP2W3                     | 52PP2V3                     | 52BP2V3               |
|             | Yellow | —                           | —                           | 52PP2W4                     | 52BP2W4                     | 52PP2V4                     | 52BP2V4               |
| 1 NO - 1 NC | Red    | <b>52PP2A2A<sup>1</sup></b> | <b>52BP2A2A<sup>1</sup></b> | <b>52PP2W2A<sup>1</sup></b> | <b>52BP2W2A<sup>1</sup></b> | <b>52PP2V2A<sup>1</sup></b> | 52BP2V2A <sup>1</sup> |
|             | Green  | <b>52PP2A3A</b>             | 52BP2A3A                    | <b>52PP2W3A</b>             | 52BP2W3A                    | <b>52PP2V3A</b>             | —                     |
|             | Yellow | —                           | —                           | <b>52PP2W4A</b>             | 52BP2W4A                    | 52BP2V4A                    | 52BP2V4A              |
|             | Chrome | <b>52PP2ACA</b>             | 52BP2ACA                    | —                           | —                           | —                           | —                     |

|                |        | 3 pos - momentary in - momentary out |           |                  |           |                  |           |
|----------------|--------|--------------------------------------|-----------|------------------|-----------|------------------|-----------|
|                |        | Metal Ø 1 3/4"                       |           | Plastic Ø 1 3/4" |           | Plastic Ø 2 1/2" |           |
| Contacts       | Color  | Chrome                               | Black Max | Chrome           | Black Max | Chrome           | Black Max |
| —              | Black  | —                                    | —         | 52PP3W1          | 52BP3W1   | 52PP3V1          | 52BP3V1   |
|                | Red    | 52PP3A2                              | 52BP3A2   | <b>52PP3W2</b>   | 52BP3W2   | 52PP3V2          | 52BP3V2   |
|                | Green  | 52PP3A3                              | 52BP3A3   | 52PP3W3          | 52BP3W3   | 52PP3V3          | 2BP3V3    |
|                | Chrome | 52PP3AC                              | 52BP3AC   | —                | —         | —                | —         |
| 1 NO - 1 NCELB | Red    | 52PP3A2U                             | 52BP3A2U  | 52PP3W2U         | 52BP3W2U  | 52PP3V2U         | 52BP3V2U  |
|                | Green  | 52PP3A3U                             | 52BP3A3U  | 52PP3W3U         | 52BP3W3U  | 52PP3V3U         | 52BP3V3U  |

|                |        | 3 pos - maintained in - momentary out |           |                  |           |                  |           |
|----------------|--------|---------------------------------------|-----------|------------------|-----------|------------------|-----------|
|                |        | Metal Ø 1 3/4"                        |           | Plastic Ø 1 3/4" |           | Plastic Ø 2 1/2" |           |
| Contacts       | Color  | Chrome                                | Black Max | Chrome           | Black Max | Chrome           | Black Max |
| —              | Black  | —                                     | —         | 52PP7W1          | 52BP7W1   | 52PP7V1          | 52BP7V1   |
|                | Red    | <b>52PP7A2</b>                        | 52BP7A2   | 52PP7W2          | 52BP7W2   | 52PP7V2          | 52BP7V2   |
|                | Green  | 52PP7A3                               | 52BP7A3   | 52PP7W3          | 52BP7W3   | 52PP7V3          | 52BP7V3   |
|                | Chrome | 52PP7AC                               | 52BP7AC   | —                | —         | —                | —         |
| 1 NO - 1 NCELB | Red    | 52PP7A2U1                             | 52BP7A2U  | 52PP7W2U         | 52BP7W2U  | 52PP7V2U         | 52BP7V2U  |
|                | Green  | 52PP7A3U                              | 52BP7A3U  | 52PP7W3U         | 52BP7W3U  | 52PP7V3U         | 52BP7V3U  |

Readily available items are in **bold**.  
This is a small representation of stocked items.

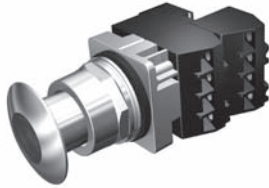
<sup>1</sup> EMERGENCY-STOP control devices according to IEC 60947-5-5

# 30mm Water, Oil Tight & Corrosion Resistant – Class 52

## Illuminated Push Pull & Push Button

### Selection Guide

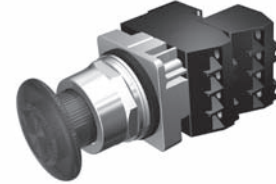
### 2 & 3 Position Push-Pull Mushroom Head Devices - Illuminated



Mushroom Head Metal Ø 1 3/4"



Mushroom Head Plastic Ø 2 1/2"



Mushroom Head Plastic Ø 1 3/4"

| Part Number | <b>52</b> | <b>a</b> | <b>P</b> | <b>c</b> | <b>d</b> | <b>e</b> | <b>f</b> | <b>g</b> |
|-------------|-----------|----------|----------|----------|----------|----------|----------|----------|
|-------------|-----------|----------|----------|----------|----------|----------|----------|----------|

| a | Code | Finish                 |
|---|------|------------------------|
|   | P    | Chrome-Command 52      |
|   | B    | Epoxy Coated-Black Max |

| b | Code | Type               |
|---|------|--------------------|
|   | P    | Push Pull Operator |

| c | Code | Function                                                 |
|---|------|----------------------------------------------------------|
|   | 2    | 2 positions - maintained <sup>1</sup>                    |
|   | 3    | 3 positions - momentary in - momentary out <sup>2</sup>  |
|   | 7    | 3 positions - maintained in - momentary out <sup>2</sup> |

| d | Code | Operation                         |                  |
|---|------|-----------------------------------|------------------|
|   |      | Full Voltage <sup>3</sup> (AC/DC) |                  |
|   |      | Incandescent                      | LED <sup>4</sup> |
|   | B    | 6-8V                              | 6V               |
|   | C    | 12-13V                            | —                |
|   | D    | 24-28V                            | 24-28V           |
|   | E    | 120V                              | 120V             |
|   | F    | —                                 | 240V             |
|   |      | Transformer <sup>3</sup>          |                  |
|   | G    | 120V AC                           |                  |
|   | H    | 240V AC                           |                  |
|   | J    | 480V AC                           |                  |
|   | K    | 600V AC                           |                  |

| e | Code | Style / Color                                        |
|---|------|------------------------------------------------------|
|   |      | <b>Mushroom Head Metal Ø 1 3/4" (44.5mm)</b>         |
|   | 2    | Red <sup>1</sup>                                     |
|   | 3    | Green                                                |
|   | 5    | Blue                                                 |
|   | 9    | Amber                                                |
|   | A    | Clear                                                |
|   | B    | White                                                |
|   |      | <b>Mushroom Head Plastic Ø 1 3/4" (44.5 mm)</b>      |
|   | R    | Red <sup>1</sup>                                     |
|   | S    | Green                                                |
|   | T    | Amber                                                |
|   |      | <b>Mushroom Head Plastic Ø 2 1/2" (63.5mm)</b>       |
|   | D    | Red <sup>1</sup>                                     |
|   | E    | Green                                                |
|   | F    | Amber                                                |
|   |      | <b>No Head (full voltage &amp; transformer only)</b> |
|   | Z    | No head                                              |

| f | Code | Contact Blocks                            |
|---|------|-------------------------------------------|
|   |      | <b>2 Position</b>                         |
|   | A    | 1 NO + 1 NC <sup>1</sup>                  |
|   | B    | 2 NO - 2 NC <sup>1</sup>                  |
|   | F    | 2 NO                                      |
|   | G    | 2 NC <sup>1</sup>                         |
|   | J    | 1 NC <sup>1</sup>                         |
|   | K    | 1 NO                                      |
|   | Q    | 1 NO - 1 NC (ELB)                         |
|   |      | <b>3 Position</b>                         |
|   | U    | 1 NO - 1 NC extra late break <sup>2</sup> |

| g | Code  | Bulb Type                     |
|---|-------|-------------------------------|
|   | Blank | Incandescent                  |
|   | B     | LED                           |
|   | Y     | Super-Bright LED <sup>5</sup> |

1 EMERGENCY-STOP control devices according to IEC 60947-5-5 when provided with red operating head and positively driven NC contact blocks.

Positive opening contacts according to IEC 60947-5-1, Appendix K,

2 Blocks cannot be interchanged (stop-start circuit - pull to start, push to stop).

3 Default bulb type is incandescent. For LED options, append field g. LED option not available on units sold "no head".

4 LED voltages apply to table g option code B and Y. 6V and 120V are currently AC only. Replaced by AC/DC rated versions end of 2014.

5 Not available in 240V.

# 30mm Water, Oil Tight & Corrosion Resistant – Class 52

## Illuminated Push Pull

### Selection Tables

|                      |                  |                |              |                 | <b>Operator Type</b>         |                              |                              |                        |
|----------------------|------------------|----------------|--------------|-----------------|------------------------------|------------------------------|------------------------------|------------------------|
|                      |                  |                |              |                 | <b>2 pos - maintained</b>    |                              |                              |                        |
|                      |                  |                |              |                 | <b>Metal Ø 1 3/4"</b>        |                              | <b>Plastic Ø 1 3/4"</b>      |                        |
| <b>Type</b>          | <b>Lamp Type</b> | <b>Voltage</b> | <b>Color</b> | <b>Contacts</b> | <b>Chrome</b>                | <b>Black Max</b>             | <b>Chrome</b>                | <b>Black Max</b>       |
| Full Voltage (AC/DC) | LED              | 24V            | Red          | 1 NO - 1 NC     | <b>52PP2D2AB<sup>1</sup></b> | <b>52BP2D2AB<sup>1</sup></b> | <b>52PP2DRAB<sup>1</sup></b> | 52BP2DRAB <sup>1</sup> |
|                      |                  |                | Green        | 1 NO - 1 NC     | <b>52PP2D3AB</b>             | 52BP2D3AB                    | 52PP2DSAB                    | 52BP2DSAB              |
|                      | Incandescent     | 24V            | Red          | 1 NO - 1 NC     | <b>52PP2D2A<sup>1</sup></b>  | 52BP2D2A <sup>1</sup>        | <b>52PP2DRA<sup>1</sup></b>  | 52BP2DRA <sup>1</sup>  |
|                      |                  |                | Green        | 1 NO - 1 NC     | <b>52PP2D3A</b>              | 52BP2D3A                     | <b>52PP2DSA</b>              | 52BP2DSA               |
|                      |                  | 120V           | Red          | 1 NO - 1 NC     | 52PP2E2A <sup>1</sup>        | 52BP2E2A <sup>1</sup>        | 52PP2ERA <sup>1</sup>        | 52BP2ERA <sup>1</sup>  |
|                      |                  |                | —            | —               | 52PP2E2                      | 52BP2E2                      | 52PP2ER                      | 52BP2ER                |
| Transformer (AC)     | LED              | 120V           | Red          | 1 NO - 1 NC     | <b>52PP2G2AB<sup>1</sup></b> | 52BP2G2AB <sup>1</sup>       | 52PP2GRAB <sup>1</sup>       | 52BP2GRAB <sup>1</sup> |
|                      |                  |                | Green        | 1 NO - 1 NC     | <b>52PP2G3AB</b>             | 52BP2G3AB                    | 52PP2GSAB                    | 52BP2GSAB              |
|                      | Incandescent     | 120V           | Red          | 1 NO - 1 NC     | <b>52PP2G2A<sup>1</sup></b>  | 52BP2G2A <sup>1</sup>        | <b>52PP2GRA<sup>1</sup></b>  | 52BP2GRA <sup>1</sup>  |
|                      |                  |                | Green        | 1 NO - 1 NC     | <b>52PP2G3A</b>              | <b>52BP2G3A</b>              | <b>52PP2GSA</b>              | 52BP2GSA               |

|                      |                  |                |              |                 | <b>Operator Type</b>                        |                  |                         |                  |
|----------------------|------------------|----------------|--------------|-----------------|---------------------------------------------|------------------|-------------------------|------------------|
|                      |                  |                |              |                 | <b>3 pos - momentary in - momentary out</b> |                  |                         |                  |
|                      |                  |                |              |                 | <b>Metal Ø 1 3/4"</b>                       |                  | <b>Plastic Ø 1 3/4"</b> |                  |
| <b>Type</b>          | <b>Lamp Type</b> | <b>Voltage</b> | <b>Color</b> | <b>Contacts</b> | <b>Chrome</b>                               | <b>Black Max</b> | <b>Chrome</b>           | <b>Black Max</b> |
| Full Voltage (AC/DC) | LED              | 24V            | Green        | 1 NO - 1 NCELB  | 52PP3D3UB                                   | 52BP3D3UB        | 52PP3DRUB               | 52BP3DRUB        |
|                      |                  |                | Green        | 1 NO - 1 NCELB  | 52PP3D3U                                    | 52BP3D3U         | 52PP3DSU                | 52BP3DSU         |
|                      | Incandescent     | 24V            | Red          | 1 NO - 1 NCELB  | 52PP3D2U                                    | 52BP3D2U         | 52PP3DRU                | 52BP3DRU         |
|                      |                  |                | Red          | —               | 52PP3E2                                     | 52BP3E2          | 52PP3ER                 | 52BP3ER          |
|                      |                  | 120V           | Red          | 1 NO - 1 NCELB  | 52PP3G2UB                                   | 52BP3G2UB        | 52PP3GRUB               | 52BP3GRUB        |
|                      |                  |                | Green        | 1 NO - 1 NCELB  | <b>52PP3G3UB</b>                            | 52BP3G3UB        | 52PP3GSUB               | 52BP3GSUB        |
| Transformer (AC)     | LED              | 120V           | Red          | 1 NO - 1 NCELB  | 52PP3G2U                                    | 52BP3G2U         | 52PP3GRU                | 52BP3GRU         |
|                      |                  |                | Green        | 1 NO - 1 NCELB  | 52PP3G3U                                    | 52BP3G3U         | 52PP3GRU                | 52BP3GRU         |

|                      |                  |                |              |                 | <b>Operator Type</b>                         |                  |                         |                  |
|----------------------|------------------|----------------|--------------|-----------------|----------------------------------------------|------------------|-------------------------|------------------|
|                      |                  |                |              |                 | <b>3 pos - maintained in - momentary out</b> |                  |                         |                  |
|                      |                  |                |              |                 | <b>Metal Ø 1 3/4"</b>                        |                  | <b>Plastic Ø 1 3/4"</b> |                  |
| <b>Type</b>          | <b>Lamp Type</b> | <b>Voltage</b> | <b>Color</b> | <b>Contacts</b> | <b>Chrome</b>                                | <b>Black Max</b> | <b>Chrome</b>           | <b>Black Max</b> |
| Full Voltage (AC/DC) | LED              | 24V            | Green        | 1 NO - 1 NCELB  | 52PP7D3UB                                    | 52BP7D3UB        | 52PP7DSUB               | 52BP7DSUB        |
|                      |                  |                | Green        | 1 NO - 1 NCELB  | 52PP7D3U                                     | 52BP7D3U         | 52PP7DSU                | 52BP7DSU         |
|                      | Incandescent     | 24V            | Red          | 1 NO - 1 NCELB  | 52PP7D2U                                     | 52BP7D2U         | 52PP7DRU                | 52BP7DRU         |
|                      |                  |                | Red          | —               | 52PP7E2                                      | 52BP7E2          | 52PP7ER                 | 52BP7ER          |
|                      |                  | 120V           | Red          | 1 NO - 1 NCELB  | 52PP7G2UB                                    | 52BP7G2UB        | 52PP7GRUB               | 52BP7GRUB        |
|                      |                  |                | Green        | 1 NO - 1 NCELB  | 52PP7G3UB                                    | 52BP7G3UB        | 52PP7GSUB               | 52BP7GSUB        |
| Transformer (AC)     | LED              | 120V           | Red          | 1 NO - 1 NCELB  | 52PP7G2U                                     | 52BP7G2U         | 52PP7GRU                | 52BP7GRU         |
|                      |                  |                | Green        | 1 NO - 1 NCELB  | 52PP7G3U                                     | 52BP7G3U         | 52PP7GRU                | 52BP7GRU         |

Readily available items are in **bold**.  
This is a small representation of stocked items.

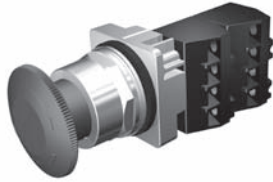
<sup>1</sup> EMERGENCY-STOP control devices according to IEC 60947-5-5

# 30mm Water, Oil Tight & Corrosion Resistant – Class 52

## Non-Illuminated Twist-to-Release

### Selection Guide

#### 2 Position Twist-to-Release Devices Mushroom Head - Non-Illuminated



Plastic 1 3/4" Mushroom Head - Chrome



Plastic 1 3/4" Mushroom Head - Black Max

|                    |           |                         |                                     |                                     |                                     |                         |                                     |
|--------------------|-----------|-------------------------|-------------------------------------|-------------------------------------|-------------------------------------|-------------------------|-------------------------------------|
| <b>Part Number</b> | <b>52</b> | <u>    </u><br><b>a</b> | <u>    </u><br><b>R</b><br><b>b</b> | <u>    </u><br><b>8</b><br><b>c</b> | <u>    </u><br><b>W</b><br><b>d</b> | <u>    </u><br><b>e</b> | <u>    </u><br><b>f<sup>2</sup></b> |
|--------------------|-----------|-------------------------|-------------------------------------|-------------------------------------|-------------------------------------|-------------------------|-------------------------------------|

| Finish    | Function                    | Style                        | Color | Contacts    | Part Number     |
|-----------|-----------------------------|------------------------------|-------|-------------|-----------------|
| Chrome    | 2 Position Twist-to-Release | Plastic 1 3/4" Mushroom Head | Red   | 1 NO - 1 NC | <b>52PR8W2A</b> |
| Black Max | 2 Position Twist-to-Release | Plastic 1 3/4" Mushroom Head | Red   | 1 NO - 1 NC | <b>52BR8W2A</b> |
| Chrome    | 2 Position Twist-to-Release | Plastic 1 3/4" Mushroom Head | Red   | None        | 52PR8W2         |

Readily available items are in **bold**.  
This is a small representation of stocked items.

|          |             |                                                      |
|----------|-------------|------------------------------------------------------|
| <b>a</b> | <b>Code</b> | <b>Finish</b>                                        |
|          | <b>P</b>    | Chrome-Command 52                                    |
|          | <b>B</b>    | Epoxy Coated-Black Max                               |
| <b>b</b> | <b>Code</b> | <b>Function</b>                                      |
|          | <b>R</b>    | 2 Position Twist-to-Release, Maintained <sup>1</sup> |
| <b>c</b> | <b>Code</b> | <b>Style</b>                                         |
|          | <b>8</b>    | Plastic 1 3/4" Mushroom Head                         |
| <b>d</b> | <b>Code</b> | <b>Lamp Type</b>                                     |
|          | <b>W</b>    | Non-Illuminated                                      |

|                      |             |                          |
|----------------------|-------------|--------------------------|
| <b>e</b>             | <b>Code</b> | <b>Color</b>             |
|                      | <b>2</b>    | Red <sup>1</sup>         |
|                      | <b>3</b>    | Green                    |
|                      | <b>4</b>    | Yellow                   |
|                      | <b>Z</b>    | No head                  |
| <b>f<sup>2</sup></b> | <b>Code</b> | <b>Contact Blocks</b>    |
|                      | <b>A</b>    | 1 NO + 1 NC <sup>1</sup> |
|                      | <b>B</b>    | 2 NO + 2 NC <sup>1</sup> |
|                      | <b>C</b>    | 3 NO + 3 NC <sup>1</sup> |
|                      | <b>D</b>    | 4 NO + 4 NC <sup>1</sup> |
|                      | <b>E</b>    | 1 NC (LB)                |
|                      | <b>F</b>    | 2 NO                     |
|                      | <b>G</b>    | 2NC <sup>1</sup>         |
|                      | <b>H</b>    | 1NO (EM)                 |
|                      | <b>J</b>    | 1 NC <sup>1</sup>        |
|                      | <b>K</b>    | 1 NO                     |

<sup>1</sup> EMERGENCY-STOP control devices according to IEC 60947-5-5 when provided with red operating head and positively driven NC contact blocks. Positive opening contacts according to IEC 60947-5-1, Appendix K.

<sup>2</sup> For operator without contact blocks leave position f blank.

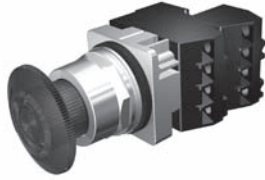


# 30mm Water, Oil Tight & Corrosion Resistant – Class 52

## Illuminated Twist-to-Release

### Selection Guide

### 2 Position Twist-to-Release Mushroom Head Devices - Illuminated



Plastic 1 3/4" Mushroom Head - Chrome



Plastic 1 3/4" Mushroom Head - Black Max

| Part Number | <b>52</b> | <b>a</b> | <b>R</b> | <b>8</b> | <b>d</b> | <b>e</b> | <b>f</b> | <b>g</b> |
|-------------|-----------|----------|----------|----------|----------|----------|----------|----------|
|-------------|-----------|----------|----------|----------|----------|----------|----------|----------|

| Finish | Style                        | Voltage | Bulb Type    | Color | Contacts    | Part Number |
|--------|------------------------------|---------|--------------|-------|-------------|-------------|
| Chrome | Plastic 1 3/4" Mushroom Head | 24V     | LED          | Red   | 1 NO - 1 NC | 52PR8DRAB   |
| Chrome | Plastic 1 3/4" Mushroom Head | 120V    | Incandescent | Red   | 1 NO - 1 NC | 52PR8ERA    |
| Chrome | Plastic 1 3/4" Mushroom Head | 120V    | LED          | Red   | 1 NO - 1 NC | 52PR8GRAB   |

Readily available items are in **bold**.  
This is a small representation of stocked items.

| a | Code     | Finish                 |
|---|----------|------------------------|
|   | <b>P</b> | Chrome-Command 52      |
|   | <b>B</b> | Epoxy Coated-Black Max |

| b | Code     | Function                                |
|---|----------|-----------------------------------------|
|   | <b>R</b> | 2 Position Twist-to-Release, Maintained |

| c | Code     | Style                        |
|---|----------|------------------------------|
|   | <b>8</b> | Plastic 1 3/4" Mushroom Head |

| d | Code     | Operation                         |                  |
|---|----------|-----------------------------------|------------------|
|   |          | Full Voltage <sup>2</sup> (AC/DC) |                  |
|   |          | Incandescent                      | LED <sup>3</sup> |
|   | <b>B</b> | 6-8V                              | 6V               |
|   | <b>C</b> | 12-13V                            | —                |
|   | <b>D</b> | 24-28V                            | 24-28V           |
|   | <b>E</b> | 120V                              | 120V             |
|   | <b>F</b> | —                                 | 240V             |
|   |          | Transformer <sup>2</sup>          |                  |
|   | <b>G</b> | 120V AC                           |                  |
|   | <b>H</b> | 240V AC                           |                  |
|   | <b>J</b> | 480V AC                           |                  |
|   | <b>K</b> | 600V AC                           |                  |

| e | Code     | Color            |
|---|----------|------------------|
|   | <b>R</b> | Red <sup>1</sup> |
|   | <b>S</b> | Green            |
|   | <b>T</b> | Amber            |
|   | <b>Z</b> | No head          |

| f        | Code     | Contact Blocks           |
|----------|----------|--------------------------|
|          | <b>A</b> | 1 NO + 1 NC <sup>1</sup> |
|          | <b>B</b> | 2 NO + 2 NC <sup>1</sup> |
|          | <b>C</b> | 3 NO + 3 NC <sup>1</sup> |
|          | <b>D</b> | 4 NO + 4 NC <sup>1</sup> |
|          | <b>E</b> | 1 NC (LB)                |
|          | <b>F</b> | 2 NO                     |
|          | <b>G</b> | 2NC <sup>1</sup>         |
|          | <b>H</b> | 1NO (EM)                 |
|          | <b>J</b> | 1 NC <sup>1</sup>        |
| <b>K</b> | 1 NO     |                          |

| g | Code         | Bulb Type                     |
|---|--------------|-------------------------------|
|   | <b>Blank</b> | Incandescent                  |
|   | <b>B</b>     | LED                           |
|   | <b>Y</b>     | Super-Bright LED <sup>4</sup> |

1 EMERGENCY-STOP control devices according to IEC 60947-5-5 when provided with red operating head and positively driven NC contact blocks. Positive opening contacts according to IEC 60947-5-1, Appendix K, Molded bodies.

2 Default bulb type is incandescent. For LED options, append field g. LED option not available on units sold "no head."

3 LED voltages apply to table g option code B and Y. 6V and 120V are currently AC only. Replaced by AC/DC rated versions end of 2014.

4 Not available in 240V.

# 30mm Water, Oil Tight & Corrosion Resistant – Class 52

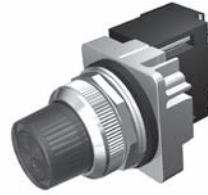
## Indicator Light

### Selection Guide

#### Indicator Light



Plastic Lens



Glass Lens

| Part Number | <b>52</b> | <u>    </u> | <u>    </u>          | <u>    </u> | <u>    </u> | <u>    </u> | <u>    </u> |
|-------------|-----------|-------------|----------------------|-------------|-------------|-------------|-------------|
|             |           | <b>a</b>    | <b>L</b><br><b>b</b> | <b>c</b>    | <b>d</b>    | <b>e</b>    | <b>f</b>    |

| <b>a</b> | Code | Finish                 |
|----------|------|------------------------|
|          | P    | Chrome-Command 52      |
|          | B    | Epoxy Coated-Black Max |

| <b>b</b> | Code | Type            |
|----------|------|-----------------|
|          | L    | Indicator Light |

| <b>c</b> | Code | Style        |
|----------|------|--------------|
|          | 4    | Plastic Lens |
|          | 5    | Glass Lens   |

| <b>d</b> | Code | Operation                         |                  |
|----------|------|-----------------------------------|------------------|
|          |      | Full Voltage <sup>1</sup> (AC/DC) |                  |
|          |      | Incandescent                      | LED <sup>2</sup> |
|          | B    | 6-8V                              | 6V               |
|          | C    | 12-13V                            | —                |
|          | D    | 24-28V                            | 24-28V           |
|          | E    | 120V                              | 120V             |
|          | F    | —                                 | 240V             |
|          |      | Transformer <sup>1</sup>          |                  |
|          | G    | 120V AC                           |                  |
|          | H    | 240V AC                           |                  |
|          | J    | 480V AC                           |                  |
|          | K    | 600V AC                           |                  |

| <b>e</b> | Code | Color      |
|----------|------|------------|
|          | 2    | Red        |
|          | 3    | Green      |
|          | 5    | Blue       |
|          | 7    | All Colors |
|          | 9    | Amber      |
|          | A    | Clear      |
|          | B    | White      |
|          | N    | No Lens    |

| <b>f</b> | Code  | Bulb Type                     |
|----------|-------|-------------------------------|
|          | Blank | Incandescent                  |
|          | XB    | LED                           |
|          | XY    | Super-Bright LED <sup>3</sup> |

1 Default bulb type is incandescent. For LED options, append field f. LED option not available on units sold "No Lens".  
 2 LED voltages apply to table f option code XB and XY. 6V, 24V (Super Bright only) and 120V are currently AC only. Replaced by AC/DC rated versions end of 2014.  
 3 Not available in 240V.

Selection Tables

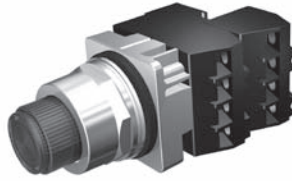
Indicator Light

| Type                    | Lamp Type    | Voltage        | Color          | Plastic Lens     |                  |
|-------------------------|--------------|----------------|----------------|------------------|------------------|
|                         |              |                |                | Chrome           | Black Max        |
| Full Voltage<br>(AC/DC) | LED          | 24V            | Red            | <b>52PL4D2XB</b> | <b>52BL4D2XB</b> |
|                         |              |                | Green          | <b>52PL4D3XB</b> | <b>52BL4D3XB</b> |
|                         |              |                | Blue           | <b>52PL4D5XB</b> | <b>52BL4D5XB</b> |
|                         |              |                | Amber          | <b>52PL4D9XB</b> | <b>52BL4D9XB</b> |
|                         |              |                | White          | <b>52PL4DBXB</b> | <b>52BL4DBXB</b> |
|                         |              | 120V           | Red            | <b>52PL4E2XB</b> | <b>52BL4E2XB</b> |
|                         |              |                | Green          | <b>52PL4E3XB</b> | <b>52BL4E3XB</b> |
|                         |              |                | Amber          | <b>52PL4E9XB</b> | <b>52BL4E9XB</b> |
|                         |              |                | Clear          | <b>52PL4EAXB</b> | <b>52BL4EAXB</b> |
|                         |              |                | White          | <b>52PL4EBXB</b> | <b>52BL4EBXB</b> |
|                         | Incandescent | 24V            | Red            | <b>52PL4D2</b>   | <b>52BL4D2</b>   |
|                         |              |                | Green          | <b>52PL4D3</b>   | <b>52BL4D3</b>   |
|                         |              |                | Blue           | <b>52PL4D5</b>   | <b>52BL4D5</b>   |
|                         |              |                | Amber          | <b>52PL4D9</b>   | <b>52BL4D9</b>   |
|                         |              |                | White          | <b>52PL4DB</b>   | <b>52BL4DB</b>   |
|                         |              | 120V           | No Lens        | <b>52PL4DN</b>   | <b>52BL4DN</b>   |
|                         |              |                | Red            | <b>52PL4E2</b>   | <b>52BL4E2</b>   |
|                         |              |                | Green          | <b>52PL4E3</b>   | <b>52BL4E3</b>   |
|                         |              |                | Amber          | <b>52PL4E9</b>   | <b>52BL4E9</b>   |
|                         |              |                | No Lens        | <b>52PL4EN</b>   | <b>52BL4EN</b>   |
| Transformer<br>(AC)     | LED          | 120V           | Red            | <b>52PL4G2XB</b> | <b>52BL4G2XB</b> |
|                         |              |                | Green          | <b>52PL4G3XB</b> | <b>52BL4G3XB</b> |
|                         |              |                | Amber          | <b>52PL4G9XB</b> | <b>52BL4G9XB</b> |
|                         |              |                | White          | <b>52PL4GBXB</b> | <b>52BL4GBXB</b> |
|                         |              |                | Red            | <b>52PL4J2XB</b> | <b>52BL4J2XB</b> |
|                         |              | 480V           | Green          | <b>52PL4J3XB</b> | <b>52BL4J3XB</b> |
|                         |              |                | White          | <b>52PL4JBXB</b> | <b>52BL4JBXB</b> |
|                         |              |                | Red            | <b>52PL4G2</b>   | <b>52BL4G2</b>   |
|                         |              |                | Green          | <b>52PL4G3</b>   | <b>52BL4G3</b>   |
|                         |              |                | Amber          | <b>52PL4G9</b>   | <b>52BL4G9</b>   |
|                         | Incandescent | 120V           | White          | <b>52PL4GB</b>   | <b>52BL4GB</b>   |
|                         |              |                | No Lens        | <b>52PL4GN</b>   | <b>52BL4GN</b>   |
|                         |              |                | Red            | <b>52PL4H2</b>   | <b>52BL4H2</b>   |
|                         |              |                | Green          | <b>52PL4H3</b>   | <b>52BL4H3</b>   |
|                         |              |                | Red            | <b>52PL4J2</b>   | <b>52BL4J2</b>   |
|                         |              | 240V           | Green          | <b>52PL4J3</b>   | <b>52BL4J3</b>   |
|                         |              |                | Red            | <b>52PL4J2</b>   | <b>52BL4J2</b>   |
|                         |              |                | Green          | <b>52PL4J3</b>   | <b>52BL4J3</b>   |
|                         |              |                | Red            | <b>52PL4J2</b>   | <b>52BL4J2</b>   |
|                         |              |                | Green          | <b>52PL4J3</b>   | <b>52BL4J3</b>   |
| 480V                    | Amber        | <b>52PL4J9</b> | <b>52BL4J9</b> |                  |                  |

Readily available items are in **bold**.  
This is a small representation of stocked items.

### Selection Guide

### Push Button & Push-to-Test - Illuminated



Extended Lens



Flush Lens

| Part Number | <b>52</b> | <u>    </u> | <u>    </u> | <u>    </u> | <u>    </u> | <u>    </u> | <u>    </u> | <u>    </u> |
|-------------|-----------|-------------|-------------|-------------|-------------|-------------|-------------|-------------|
|             |           | <b>a</b>    | <b>T</b>    | <b>c</b>    | <b>d</b>    | <b>e</b>    | <b>f</b>    | <b>g</b>    |

| <b>a</b> | Code | Finish                 |
|----------|------|------------------------|
|          | P    | Chrome-Command 52      |
|          | B    | Epoxy Coated-Black Max |

| <b>b</b> | Code | Function                                            |
|----------|------|-----------------------------------------------------|
|          | T    | Illuminated Push Button / Push-to-Test <sup>1</sup> |

| <b>c</b> | Code | Style                   |
|----------|------|-------------------------|
|          | 6    | Extended Lens           |
|          | 8    | Flush Lens <sup>2</sup> |

| <b>d</b> | Code    | Operation                         |                  |
|----------|---------|-----------------------------------|------------------|
|          |         | Full Voltage <sup>3</sup> (AC/DC) |                  |
|          |         | Incandescent                      | LED <sup>4</sup> |
|          | B       | 6-8V                              | 6V               |
|          | C       | 12-13V                            | —                |
|          | D       | 24-28V                            | 24-28V           |
|          | E       | 120V                              | 120V             |
|          | F       | —                                 | 240V             |
|          |         | Transformer <sup>3</sup>          |                  |
|          | G       | 120V AC                           |                  |
| H        | 240V AC |                                   |                  |
| J        | 480V AC |                                   |                  |
| K        | 600V AC |                                   |                  |

| <b>e</b> | Code    | Color      |
|----------|---------|------------|
|          | 2       | Red        |
|          | 3       | Green      |
|          | 5       | Blue       |
|          | 7       | All Colors |
|          | 9       | Amber      |
|          | A       | Clear      |
|          | B       | White      |
| N        | No Lens |            |

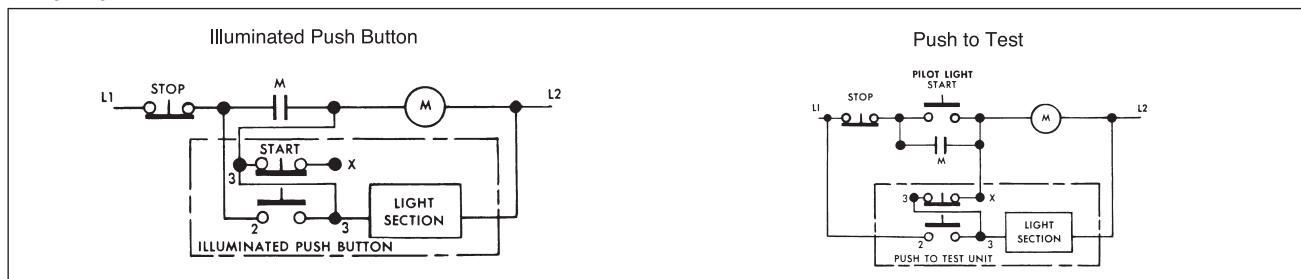
| <b>f</b> | Code | Contact Blocks |
|----------|------|----------------|
|          | A    | 1 NO - 1 NC    |
|          | B    | 2 NO + 2 NC    |
|          | C    | 3 NO + 3 NC    |
|          | D    | 4 NO + 4 NC    |
|          | E    | 1 NC (LB)      |
|          | F    | 2 NO           |
|          | G    | 2 NC           |
|          | H    | 1NO (EM)       |
|          | J    | 1 NC           |
|          | K    | 1 NO           |

| <b>g</b> | Code  | Bulb Type                     |
|----------|-------|-------------------------------|
|          | Blank | Incandescent                  |
|          | B     | LED                           |
|          | Y     | Super-Bright LED <sup>5</sup> |

1 For push-to-test functionality, wire according to wiring diagram below.  
 2 Products available fall 2014.

3 Default bulb type is incandescent. For LED options, append field g.  
 LED option not available on units sold "No Lens".  
 4 LED voltages apply to table g option code B and Y.  
 6V and 120V are currently AC only. Replaced by AC/DC rated versions end of 2014.  
 5 Not available in 240V.

### Wiring Diagrams



Selection Tables

Push Button & Push-to-Test - Illuminated

| Type                    | Lamp Type    | Voltage | Color       | Contacts        | Extended Lens    |                  |
|-------------------------|--------------|---------|-------------|-----------------|------------------|------------------|
|                         |              |         |             |                 | Chrome           | Black Max        |
| Full Voltage<br>(AC/DC) | LED          | 24V     | Red         | 1 NO - 1 NC     | <b>52PT6D2AB</b> | <b>52BT6D2AB</b> |
|                         |              |         | Green       | 1 NO - 1 NC     | <b>52PT6D3AB</b> | <b>52BT6D3AB</b> |
|                         |              |         | Blue        | 1 NO - 1 NC     | <b>52PT6D5AB</b> | <b>52BT6D5AB</b> |
|                         |              |         | Amber       | 1 NO - 1 NC     | <b>52PT6D9AB</b> | <b>52BT6D9AB</b> |
|                         |              |         | White       | 1 NO - 1 NC     | <b>52PT6DBAB</b> | <b>52BT6DBAB</b> |
|                         | Incandescent | 24V     | Red         | 1 NO - 1 NC     | <b>52PT6E2AB</b> | <b>52BT6E2AB</b> |
|                         |              |         | Green       | 1 NO - 1 NC     | <b>52PT6E3AB</b> | <b>52BT6E3AB</b> |
|                         |              |         | Red         | 1 NO - 1 NC     | <b>52PT6D2A</b>  | <b>52BT6D2A</b>  |
|                         |              |         | Green       | 1 NO - 1 NC     | <b>52PT6D3A</b>  | <b>52BT6D3A</b>  |
|                         |              |         | Blue        | 1 NO - 1 NC     | <b>52PT6D5A</b>  | <b>52BT6D5A</b>  |
| Transformer<br>(AC)     | LED          | 120V    | Amber       | 1 NO - 1 NC     | <b>52PT6D9A</b>  | <b>52BT6D9A</b>  |
|                         |              |         | White       | 1 NO - 1 NC     | <b>52PT6DBA</b>  | <b>52BT6DBA</b>  |
|                         |              |         | Red         | 1 NO - 1 NC     | <b>52PT6E2A</b>  | <b>52BT6E2A</b>  |
|                         |              |         | Green       | 1 NO - 1 NC     | <b>52PT6E3A</b>  | <b>52BT6E3A</b>  |
|                         |              |         | Red         | 1 NO - 1 NC     | <b>52PT6G2AB</b> | <b>52BT6G2AB</b> |
|                         | Incandescent | 120V    | Green       | 1 NO - 1 NC     | <b>52PT6G3AB</b> | <b>52BT6G3AB</b> |
|                         |              |         | Amber       | 1 NO - 1 NC     | <b>52PT6G9AB</b> | <b>52BT6G9AB</b> |
|                         |              |         | White       | 1 NO - 1 NC     | <b>52PT6GBAB</b> | <b>52BT6GBAB</b> |
|                         |              |         | Red         | 1 NO - 1 NC     | <b>52PT6H2AB</b> | <b>52BT6H2AB</b> |
|                         |              |         | Green       | 1 NO - 1 NC     | <b>52PT6H3AB</b> | <b>52BT6H3AB</b> |
| Incandescent            | 120V         | Red     | 1 NO - 1 NC | <b>52PT6G2A</b> | <b>52BT6G2A</b>  |                  |
|                         |              | Green   | 1 NO - 1 NC | <b>52PT6G3A</b> | <b>52BT6G3A</b>  |                  |
|                         |              | Amber   | 1 NO - 1 NC | <b>52PT6G9A</b> | <b>52BT6G9A</b>  |                  |
|                         |              | White   | 1 NO - 1 NC | <b>52PT6GBA</b> | <b>52BT6GBA</b>  |                  |
|                         |              | No Lens | 1 NO - 1 NC | <b>52PT6GNA</b> | <b>52BT6GNA</b>  |                  |
| Incandescent            | 240V         | Green   | 1 NO - 1 NC | <b>52PT6H3A</b> | <b>52BT6H3A</b>  |                  |
|                         |              | Clear   | 1 NO - 1 NC | <b>52PT6JAA</b> | <b>52BT6JAA</b>  |                  |

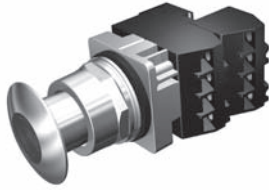
Readily available items are in **bold**.  
This is a small representation of stocked items.

# 30mm Water, Oil Tight & Corrosion Resistant – Class 52

## Illuminated Push Button

### Selection Guide

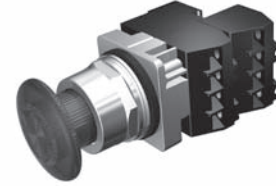
### Push Button Mushroom Head Devices – Illuminated<sup>4</sup>



Mushroom Head Metal Ø 1 3/4"



Mushroom Head Plastic Ø 2 1/2"



Mushroom Head Plastic Ø 1 3/4"

| Part Number | <b>52</b> | <b>a</b> | <b>T</b> | <b>9</b> | <b>d</b> | <b>e</b> | <b>f</b> | <b>g</b> |
|-------------|-----------|----------|----------|----------|----------|----------|----------|----------|
|-------------|-----------|----------|----------|----------|----------|----------|----------|----------|

| a | Code | Finish                 |
|---|------|------------------------|
|   | P    | Chrome-Command 52      |
|   | B    | Epoxy Coated-Black Max |

| b | Code | Type                 |
|---|------|----------------------|
|   | T    | Push Button Operator |

| c | Code | Function                   |
|---|------|----------------------------|
|   | 9    | 2 positions – momentary in |

| d | Code | Operation                                  |
|---|------|--------------------------------------------|
|   |      | <b>Full Voltage<sup>2</sup> (AC/DC)</b>    |
|   |      | <b>Incandescent</b> <b>LED<sup>3</sup></b> |
|   | B    | 6-8V      6V                               |
|   | C    | 12-13V      —                              |
|   | D    | 24-28V      24-28V                         |
|   | E    | 120V      120V                             |
|   | F    | —      240V                                |
|   |      | <b>Transformer<sup>2</sup></b>             |
|   | G    | 120V AC                                    |
|   | H    | 240V AC                                    |
|   | J    | 480V AC                                    |
|   | K    | 600V AC                                    |

| e | Code | Style / Color                                        |
|---|------|------------------------------------------------------|
|   |      | <b>Mushroom Head Metal Ø 1 3/4" (44.5mm)</b>         |
|   | 2    | Red <sup>1</sup>                                     |
|   | 3    | Green                                                |
|   | 5    | Blue                                                 |
|   | 9    | Amber                                                |
|   | A    | Clear                                                |
|   | B    | White                                                |
|   |      | <b>Mushroom Head Plastic Ø 1 3/4" (44.5 mm)</b>      |
|   | R    | Red                                                  |
|   | S    | Green                                                |
|   | T    | Amber                                                |
|   |      | <b>Mushroom Head Plastic Ø 2 1/2" (63.5mm)</b>       |
|   | D    | Red <sup>1</sup>                                     |
|   | E    | Green                                                |
|   | F    | Amber                                                |
|   |      | <b>No Head (full voltage &amp; transformer only)</b> |
|   | Z    | No head                                              |

| f | Code | Contact Blocks |
|---|------|----------------|
|   | A    | 1 NO + 1 NC    |
|   | B    | 2 NO + 2 NC    |
|   | C    | 3 NO + 3 NC    |
|   | D    | 4 NO + 4 NC    |
|   | E    | 1 NC (LB)      |
|   | F    | 2 NO           |
|   | G    | 2 NC           |
|   | H    | 1NO (EM)       |
|   | J    | 1 NC           |
|   | K    | 1 NO           |

| g | Code  | Bulb Type                     |
|---|-------|-------------------------------|
|   | Blank | Incandescent                  |
|   | B     | LED                           |
|   | Y     | Super-Bright LED <sup>5</sup> |

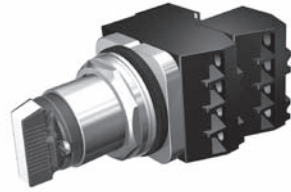
1 Positive opening according to IEC 60947-5-1, Appendix K.  
 2 Default bulb type is incandescent. For LED options, append field g. LED option not available on units sold "no head".  
 3 LED voltages apply to table g option code B and Y. 6V and 120V are currently AC only. Replaced by AC/DC rated versions end of 2014.  
 4 Products available fall 2014.  
 5 Not available in 240V.

# 30mm Water, Oil Tight & Corrosion Resistant – Class 52

## Illuminated Selector Switches

### Selection Guide

### Selector Switches – Illuminated



Short Lever – Chrome



Short Lever – Black Max

| Part Number | <b>52</b> | <b>S</b> | <b>7</b> |          |          |          |          |          |          |
|-------------|-----------|----------|----------|----------|----------|----------|----------|----------|----------|
|             |           | <b>a</b> | <b>b</b> | <b>c</b> | <b>d</b> | <b>e</b> | <b>f</b> | <b>g</b> | <b>h</b> |

| Finish | Style      | Cam Type          | Function              | Color     | Contacts | Part Number     |
|--------|------------|-------------------|-----------------------|-----------|----------|-----------------|
| Chrome | Maintained | 2 Position: CAM A | 24-28V AC/DC          | No Insert | None     | 52SA7ADN        |
| Chrome | Maintained | 2 Position: CAM A | 120V AC (Transformer) | No Insert | None     | <b>52SA7AGN</b> |
| Chrome | Maintained | 3 Position: CAM C | 120V AC               | No Insert | None     | <b>52SA7CGN</b> |

Readily available items are in **bold**.  
This is a small representation of stocked items.

| a | Code     | Type            |
|---|----------|-----------------|
|   | <b>S</b> | Selector Switch |

| b | Code     | Finish                   |
|---|----------|--------------------------|
|   | <b>A</b> | Chrome - Command 52      |
|   | <b>X</b> | Epoxy Coated - Black Max |

| c | Code     | Style      |
|---|----------|------------|
|   | <b>7</b> | Maintained |

| d | Code     | Function          |
|---|----------|-------------------|
|   | <b>A</b> | 2 Position: CAM A |
|   | <b>B</b> | 3 Position: CAM B |
|   | <b>C</b> | 3 Position: CAM C |

| e | Code     | Operation                         |                  |
|---|----------|-----------------------------------|------------------|
|   |          | Full Voltage <sup>1</sup> (AC/DC) |                  |
|   |          | Incandescent                      | LED <sup>2</sup> |
|   | <b>B</b> | 6-8V                              | 6V               |
|   | <b>C</b> | 12-13V                            | —                |
|   | <b>D</b> | 24-28V                            | 24-28V           |
|   | <b>E</b> | 120V                              | 120V             |
|   | <b>F</b> | —                                 | 240V             |
|   |          | Transformer <sup>1</sup>          |                  |
|   | <b>G</b> | 120V AC                           |                  |
|   | <b>H</b> | 240V AC                           |                  |
|   | <b>J</b> | 480V AC                           |                  |
|   | <b>K</b> | 600V AC                           |                  |

| f | Code     | Color     |
|---|----------|-----------|
|   | <b>2</b> | Red       |
|   | <b>3</b> | Green     |
|   | <b>5</b> | Blue      |
|   | <b>9</b> | Amber     |
|   | <b>A</b> | Clear     |
|   | <b>N</b> | No Insert |

| g | Code     | Contact Blocks |
|---|----------|----------------|
|   | <b>A</b> | 1 NO - 1 NC    |
|   | <b>E</b> | 1 NC (LB)      |
|   | <b>H</b> | 1 NO (EM)      |
|   | <b>J</b> | 1 NC           |
|   | <b>K</b> | 1 NO           |

| h | Code     | Contact Quantity & Location |                |
|---|----------|-----------------------------|----------------|
|   |          | A CAM & C CAM<br>Left       | B CAM<br>Right |
|   | <b>0</b> | 1                           | —              |
|   | <b>1</b> | —                           | 1              |
|   | <b>3</b> | 2                           | —              |
|   | <b>4</b> | —                           | 2              |

| i | Code         | Bulb Type                     |
|---|--------------|-------------------------------|
|   | <b>Blank</b> | Incandescent                  |
|   | <b>B</b>     | LED                           |
|   | <b>Y</b>     | Super-Bright LED <sup>3</sup> |

<sup>1</sup> Default bulb type is incandescent. For LED options, append field i.  
LED option not available on units sold "no head".

<sup>2</sup> LED voltages apply to table i option code B and Y.  
6V and 120V are currently AC only. Replaced by AC/DC rated versions end of 2014.

<sup>3</sup> Not available in 240V.

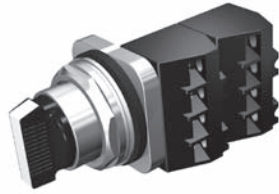
For CAM selection see page 10/205.

# 30mm Water, Oil Tight & Corrosion Resistant – Class 52

## Non-Illuminated Selector Switch

### Selection Guide

### Selector Switch – Non-Illuminated



Short Lever



Long Lever

|                    |           |          |          |          |          |          |          |                      |                      |
|--------------------|-----------|----------|----------|----------|----------|----------|----------|----------------------|----------------------|
| <b>Part Number</b> | <b>52</b> | <b>S</b> | <b>b</b> | <b>2</b> | <b>d</b> | <b>e</b> | <b>f</b> | <b>g<sup>2</sup></b> | <b>h<sup>2</sup></b> |
|                    |           | <b>a</b> | <b>b</b> | <b>c</b> | <b>d</b> | <b>e</b> | <b>f</b> | <b>g<sup>2</sup></b> | <b>h<sup>2</sup></b> |

|          |             |                 |
|----------|-------------|-----------------|
| <b>a</b> | <b>Code</b> | <b>Type</b>     |
|          | S           | Selector Switch |

|          |             |                        |
|----------|-------------|------------------------|
| <b>b</b> | <b>Code</b> | <b>Finish</b>          |
|          | A           | Chrome - Short Lever   |
|          | B           | Chrome - Long Lever    |
|          | X           | BlackMax - Short Lever |
|          | W           | BlackMax - Long Lever  |

|          |             |                 |
|----------|-------------|-----------------|
| <b>c</b> | <b>Code</b> | <b>Style</b>    |
|          | 2           | Non-Illuminated |

|          |             |                                |
|----------|-------------|--------------------------------|
| <b>d</b> | <b>Code</b> | <b>Function</b>                |
|          | A           | 2 Position: CAM A              |
|          | B           | 3 Position: CAM B              |
|          | C           | 3 Position: CAM C <sup>1</sup> |
|          | D           | 3 Position: CAM D              |
|          | E           | 3 Position: CAM E              |
|          | G           | 3 Position: CAM G              |
|          | H           | 4 Position: CAM H              |

|          |             |                     |               |
|----------|-------------|---------------------|---------------|
| <b>e</b> | <b>Code</b> | <b>Type</b>         |               |
|          |             | 2 Position          |               |
|          |             | Maintained          | Spring Return |
|          | A           | All                 | —             |
|          | C           | Left                | Right         |
|          |             | 3 Position          |               |
|          |             | Maintained          | Spring Return |
|          | A           | All                 | —             |
|          | B           | Center, Right       | Left          |
|          | C           | Center, Left        | Right         |
|          | D           | Center              | Left, Right   |
|          |             | 4 Position          |               |
|          |             | Maintained Position | Spring Return |
|          | A           | All                 | —             |

|          |                   |              |
|----------|-------------------|--------------|
| <b>f</b> | <b>Code</b>       | <b>Color</b> |
|          | 2                 | Red          |
|          | 3                 | Green        |
|          | 4                 | Yellow       |
|          | 5                 | Blue         |
|          | 6                 | Gray         |
|          | 8                 | Orange       |
|          | B                 | White        |
| N        | No Insert (Black) |              |

|                      |             |                       |
|----------------------|-------------|-----------------------|
| <b>g<sup>2</sup></b> | <b>Code</b> | <b>Contact Blocks</b> |
|                      | A           | 1 NO - 1 NC           |
|                      | E           | 1 NC (LB)             |
|                      | H           | 1 NO (EM)             |
|                      | J           | 1 NC                  |
| K                    | 1 NO        |                       |

|                      |             |                                        |       |
|----------------------|-------------|----------------------------------------|-------|
| <b>h<sup>2</sup></b> | <b>Code</b> | <b>Contact Quantity &amp; Location</b> |       |
|                      |             | Left                                   | Right |
|                      | 0           | 1                                      | —     |
|                      | 1           | —                                      | 1     |
|                      | 2           | 1                                      | 1     |
|                      | 3           | 2                                      | —     |
|                      | 4           | —                                      | 2     |
|                      | 5           | 2                                      | 1     |
|                      | 6           | 1                                      | 2     |
|                      | 7           | 2                                      | 2     |
|                      | 8           | 3                                      | —     |
| 9                    | —           | 3                                      |       |

<sup>1</sup> C CAM on spring return selectors is limited to 4 contact blocks.  
For CAM selection see page 10/205.

<sup>2</sup> For operator without contact blocks leave positions g and h blank.



# 30mm Water, Oil Tight & Corrosion Resistant – Class 52

## Non-Illuminated Selector Switch

### Selector Switch, Non-Illuminated<sup>1)</sup>

| Contact Type | Contact | Switch Position |       | Type<br>M = Maintained<br>S = Spring Return | Chrome                     |                   | Black Max         |                   |
|--------------|---------|-----------------|-------|---------------------------------------------|----------------------------|-------------------|-------------------|-------------------|
|              |         | Left            | Right |                                             | Short Lever                | Long Lever        | Short Lever       | Long Lever        |
|              |         |                 |       |                                             | <b>2-Position Operator</b> |                   |                   |                   |
| No Contacts  | —       | —               | —     | M M                                         | <b>52SA2AAB</b>            | <b>52SB2AAB</b>   | <b>52SX2AAB</b>   | <b>52SW2AAB</b>   |
|              |         |                 |       | M<---S                                      | <b>52SA2ACB</b>            | <b>52SB2ACB</b>   | <b>52SX2ACB</b>   | <b>52SW2ACB</b>   |
| 1 N.O.       | A       | O               | X     | M M                                         | <b>52SA2AABK1</b>          | <b>52SB2AABK1</b> | <b>52SX2AABK1</b> | <b>52SW2AABK1</b> |
|              |         |                 |       | M<---S                                      | <b>52SA2ACBK1</b>          | <b>52SB2ACBK1</b> | <b>52SX2ACBK1</b> | <b>52SW2ACBK1</b> |
| 1 N.O.       | A       | O               | X     | M M                                         | <b>52SA2AABA1</b>          | <b>52SB2AABA1</b> | <b>52SX2AABA1</b> | <b>52SW2AABA1</b> |
| 1 N.C.       | B       | X               | O     | M<---S                                      | <b>52SA2ACBA1</b>          | <b>52SB2ACBA1</b> | <b>52SX2ACBA1</b> | <b>52SW2ACBA1</b> |

| Contact Type | Contact | Switch Position |        |       | Type<br>M = Maintained<br>S = Spring Return | Chrome              |                     | Black Max           |                     |
|--------------|---------|-----------------|--------|-------|---------------------------------------------|---------------------|---------------------|---------------------|---------------------|
|              |         | Left            | Center | Right |                                             | Short Lever         | Long Lever          | Short Lever         | Long Lever          |
|              |         |                 |        |       | <b>3-Position Operator</b>                  |                     |                     |                     |                     |
| No Contacts  | —       | —               | —      | —     | M M M                                       | <b>52SA2CAB</b>     | <b>52SB2CAB</b>     | <b>52SX2CAB</b>     | <b>52SW2CAB</b>     |
|              |         |                 |        |       | M M M                                       | <b>52SA2BAB</b>     | <b>52SB2BAB</b>     | <b>52SX2BAB</b>     | <b>52SW2BAB</b>     |
|              |         |                 |        |       | S--->M M                                    | <b>52SA2BBB</b>     | <b>52SB2BBB</b>     | <b>52SX2BBB</b>     | <b>52SW2BBB</b>     |
|              |         |                 |        |       | M M<---S                                    | <b>52SA2BCB</b>     | <b>52SB2BCB</b>     | <b>52SX2BCB</b>     | <b>52SW2BCB</b>     |
|              |         |                 |        |       | S--->M<---S                                 | <b>52SA2BDB</b>     | <b>52SB2BDB</b>     | <b>52SX2BDB</b>     | <b>52SW2BDB</b>     |
| 1 N.O.       | A       | O               | O      | X     | M M M                                       | <b>52SA2CABA1</b>   | <b>52SB2CABA1</b>   | <b>52SX2CABA1</b>   | <b>52SW2CABA1</b>   |
|              |         |                 |        |       | S--->M M                                    | <b>52SA2CBBA1</b>   | <b>52SB2CBBA1</b>   | <b>52SX2CBBA1</b>   | <b>52SW2CBBA1</b>   |
| 1 N.C.       | B       | X               | O      | O     | M M<---S                                    | <b>52SA2CCBA1</b>   | <b>52SB2CCBA1</b>   | <b>52SX2CCBA1</b>   | <b>52SW2CCBA1</b>   |
|              |         |                 |        |       | S--->M<---S                                 | <b>52SA2CDBA1</b>   | <b>52SB2CDBA1</b>   | <b>52SX2CDBA1</b>   | <b>52SW2CDBA1</b>   |
| 1 N.O.       | A       | O               | O      | X     | M M M                                       | <b>52SA2CABA2</b>   | <b>52SB2CABA2</b>   | <b>52SX2CABA2</b>   | <b>52SW2CABA2</b>   |
| 1 N.C.       | B       | X               | O      | O     | S--->M M                                    | <b>52SA2CBBA2</b>   | <b>52SB2CBBA2</b>   | <b>52SX2CBBA2</b>   | <b>52SW2CBBA2</b>   |
| 1 N.O.       | C       | O               | O      | X     | M M<---S                                    | <b>52SA2CCBA2</b>   | <b>52SB2CCBA2</b>   | <b>52SX2CCBA2</b>   | <b>52SW2CCBA2</b>   |
| 1 N.C.       | D       | X               | O      | O     | S--->M<---S                                 | <b>52SA2CDBA2</b>   | <b>52SB2CDBA2</b>   | <b>52SX2CDBA2</b>   | <b>52SW2CDBA2</b>   |
| 1 N.O.       | A       | O               | O      | X     | M M M                                       | <b>52SA2GABJ2K1</b> | <b>52SB2GABJ2K1</b> | <b>52SX2GABJ2K1</b> | <b>52SW2GABJ2K1</b> |
| 1 N.C.       | B       | X               | O      | O     | M M M                                       | <b>52SA2GABJ2K1</b> | <b>52SB2GABJ2K1</b> | <b>52SX2GABJ2K1</b> | <b>52SW2GABJ2K1</b> |
| 1 N.C.       | C       | O               | X      | O     | M M M                                       | <b>52SA2GABJ2K1</b> | <b>52SB2GABJ2K1</b> | <b>52SX2GABJ2K1</b> | <b>52SW2GABJ2K1</b> |

| Contact Type | Contact | Switch Position |        |       |                            | Type<br>M = Maintained<br>S = Spring Return | Chrome              |                     | Black Max           |                     |
|--------------|---------|-----------------|--------|-------|----------------------------|---------------------------------------------|---------------------|---------------------|---------------------|---------------------|
|              |         | Left            | Center | Right | Center                     |                                             | Short Lever         | Long Lever          | Short Lever         | Long Lever          |
|              |         |                 |        |       | <b>4-Position Operator</b> |                                             |                     |                     |                     |                     |
| No Contacts  | —       | —               | —      | —     | —                          | M M M M                                     | <b>52SA2HAB</b>     | <b>52SB2HAB</b>     | <b>52SX2HAB</b>     | <b>52SW2HAB</b>     |
| 1 N.O.       | A       | X               | O      | O     | O                          | M M M M                                     | <b>52SA2HABJ2K1</b> | <b>52SB2HABJ2K1</b> | <b>52SX2HABJ2K1</b> | <b>52SW2HABJ2K1</b> |
| 1 N.C.       | B       | O               | X      | O     | O                          | M M M M                                     | <b>52SA2HABJ2K1</b> | <b>52SB2HABJ2K1</b> | <b>52SX2HABJ2K1</b> | <b>52SW2HABJ2K1</b> |
| 1 N.C.       | C       | O               | O      | X     | O                          | M M M M                                     | <b>52SA2HABJ2K1</b> | <b>52SB2HABJ2K1</b> | <b>52SX2HABJ2K1</b> | <b>52SW2HABJ2K1</b> |
| 1 N.O.       | A       | O               | O      | O     | X                          | M M M M                                     | <b>52SA2HABJ2K2</b> | <b>52SB2HABJ2K2</b> | <b>52SX2HABJ2K2</b> | <b>52SW2HABJ2K2</b> |
| 1 N.O.       | B       | X               | O      | O     | O                          | M M M M                                     | <b>52SA2HABJ2K2</b> | <b>52SB2HABJ2K2</b> | <b>52SX2HABJ2K2</b> | <b>52SW2HABJ2K2</b> |
| 1 N.C.       | C       | O               | X      | O     | O                          | M M M M                                     | <b>52SA2HABJ2K2</b> | <b>52SB2HABJ2K2</b> | <b>52SX2HABJ2K2</b> | <b>52SW2HABJ2K2</b> |
| 1 N.C.       | D       | O               | O      | X     | O                          | M M M M                                     | <b>52SA2HABJ2K2</b> | <b>52SB2HABJ2K2</b> | <b>52SX2HABJ2K2</b> | <b>52SW2HABJ2K2</b> |

Note: X = Closed / O = Open

1) Readily available items are in **bold**.

This is a small representation of stocked items.

### Selection Guide

### Keyed Selector Switch

|                    |           |          |          |          |          |          |                      |                      |          |
|--------------------|-----------|----------|----------|----------|----------|----------|----------------------|----------------------|----------|
| <b>Part Number</b> | <b>52</b> | <b>S</b> | <b>C</b> |          |          |          |                      |                      |          |
|                    |           | <b>a</b> | <b>b</b> | <b>c</b> | <b>d</b> | <b>e</b> | <b>f<sup>3</sup></b> | <b>g<sup>3</sup></b> | <b>h</b> |

|          |             |                 |
|----------|-------------|-----------------|
| <b>a</b> | <b>Code</b> | <b>Type</b>     |
|          | S           | Selector Switch |

|          |             |                     |
|----------|-------------|---------------------|
| <b>b</b> | <b>Code</b> | <b>Finish</b>       |
|          | C           | Chrome – Command 52 |

|          |             |                                     |
|----------|-------------|-------------------------------------|
| <b>c</b> | <b>Code</b> | <b>Style</b>                        |
|          | 5           | Non-Standard Lock/Key <sup>1a</sup> |
|          | 6           | Standard Lock/Key                   |

|          |             |                                |
|----------|-------------|--------------------------------|
| <b>d</b> | <b>Code</b> | <b>Function</b>                |
|          | A           | 2 Position: CAM A              |
|          | B           | 3 Position: CAM B              |
|          | C           | 3 Position: CAM C <sup>2</sup> |
|          | D           | 3 Position: CAM D              |
|          | E           | 3 Position: CAM E              |
|          | G           | 3 Position: CAM G              |
|          | H           | 4 Position: CAM H              |

|          |             |                            |             |       |
|----------|-------------|----------------------------|-------------|-------|
| <b>e</b> | <b>Code</b> | <b>Lock Type</b>           |             |       |
|          |             | 2 Position                 |             |       |
|          |             | Maintained / Spring Return | Key Removal |       |
|          |             |                            | Left        | Right |
|          | E           | All Maintained             | X           | X     |
|          | F           | All Maintained             | X           | —     |
|          | G           | All Maintained             | —           | X     |
|          | X           | Spring from Right          | X           | —     |

|  |            |                     |               |             |        |       |
|--|------------|---------------------|---------------|-------------|--------|-------|
|  | 3 Position |                     |               |             |        |       |
|  |            | Maintained Position | Spring Return | Key Removal |        |       |
|  |            |                     |               | Left        | Center | Right |
|  | E          | All                 | —             | X           | X      | X     |
|  | F          | All                 | —             | X           | —      | —     |
|  | G          | All                 | —             | —           | —      | X     |
|  | H          | All                 | —             | —           | X      | —     |
|  | J          | All                 | —             | X           | —      | X     |
|  | K          | All                 | —             | X           | X      | —     |
|  | M          | All                 | —             | —           | X      | X     |
|  | T          | Center, Right       | Left          | —           | X      | —     |
|  | U          | Left, Center        | Right         | —           | X      | —     |
|  | V          | Center              | Left, Right   | —           | X      | —     |
|  | W          | Center, Right       | Left          | —           | —      | X     |

|   |            |                     |             |             |              |       |
|---|------------|---------------------|-------------|-------------|--------------|-------|
|   | 4 Position |                     |             |             |              |       |
|   |            | Maintained Position | Key Removal |             |              |       |
|   |            |                     | Left        | Left Center | Right Center | Right |
|   | E          | All                 | X           | X           | X            | X     |
|   | F          | All                 | X           | —           | —            | —     |
| G | All        | —                   | —           | —           | X            |       |

|                      |             |                       |
|----------------------|-------------|-----------------------|
| <b>f<sup>3</sup></b> | <b>Code</b> | <b>Contact Blocks</b> |
|                      | A           | 1 NO - 1 NC           |
|                      | J           | 1 NC                  |
|                      | K           | 1 NO                  |
|                      | E           | 1 NC (LB)             |
| H                    | 1 NO (EM)   |                       |

|                      |             |                                        |       |
|----------------------|-------------|----------------------------------------|-------|
| <b>g<sup>3</sup></b> | <b>Code</b> | <b>Contact Quantity &amp; Location</b> |       |
|                      |             | Left                                   | Right |
|                      | 0           | 1                                      | —     |
|                      | 1           | —                                      | 1     |
|                      | 2           | 1                                      | 1     |
|                      | 3           | 2                                      | —     |
|                      | 4           | —                                      | 2     |
|                      | 5           | 2                                      | 1     |
|                      | 6           | 1                                      | 2     |
|                      | 7           | 2                                      | 2     |
| 8                    | 3           | —                                      |       |
| 9                    | —           | 3                                      |       |

|          |             |                              |
|----------|-------------|------------------------------|
| <b>h</b> | <b>Code</b> | <b>Key Type<sup>1b</sup></b> |
|          | Blank       | 501CH                        |
|          | X298        | 550CH                        |
|          | X299        | 549CH                        |
|          | X300        | 548CH                        |
|          | X301        | 547CH                        |
|          | X302        | 506CH                        |



Standard Lock/Key

1a. To Order 1 to 25 special locks for keyed selector switches simply replace the 6 in the 5th digit of the catalog number with a 5 when entering your order.

(Ordering Example: 52SC6AE is changed to 52SC5AE and all locks - up to 25 will be unique).

1b. To order the specific lock types shown in table **h**, simply append the corresponding "X" suffix to a standard part number (Ordering Example: 52SC6AEX298).

Note: Same list price applies as standard keyed locks.

2. C CAM on spring return selectors is limited to 4 contact blocks. For CAM selection see page 10/205.

3. For operator without contact blocks leave positions f and g blank.

# 30mm Water, Oil Tight & Corrosion Resistant – Class 52

## Keyed Selector Switch

### Key-operated Selector Switch, Non-Illuminated<sup>1)</sup>

| Contact Type | Contact | Switch Position |       | Type                                | Key Removal                          |                       |
|--------------|---------|-----------------|-------|-------------------------------------|--------------------------------------|-----------------------|
|              |         | Left            | Right | M = Maintained<br>S = Spring Return | Left                                 | Both                  |
|              |         |                 |       |                                     | <b>2-Position Operator</b>           |                       |
| No Contacts  | —       | —               | —     | M M<br>M<---S                       | <b>52SC6AF</b><br><b>52SC6AX</b>     | <b>52SC6AE</b><br>—   |
| 1 N.O.       | A       | O               | X     | M M<br>M<---S                       | <b>52SC6AFK1</b><br><b>52SC6AXK1</b> | <b>52SC6AEK1</b><br>— |
| 1 N.O.       | A       | O               | X     | M M                                 | <b>52SC6AFA1</b>                     | <b>52SC6AEA1</b>      |
| 1 N.C.       | B       | X               | O     | M<---S                              | <b>52SC6AXA1</b>                     | —                     |

| Contact Type | Contact | Switch Position |        |       | Type                                | Key Removal                |                |             |               |              |                |                    |   |
|--------------|---------|-----------------|--------|-------|-------------------------------------|----------------------------|----------------|-------------|---------------|--------------|----------------|--------------------|---|
|              |         | Left            | Center | Right | M = Maintained<br>S = Spring Return | Left                       | Right          | Center      | Left & Center | Left & Right | Center & Right | All Positions      |   |
|              |         |                 |        |       |                                     | <b>3-Position Operator</b> |                |             |               |              |                |                    |   |
| No Contacts  | —       | —               | —      | —     | M M M                               | 52SC6CF                    | 52SC6CG        | 52SC6CH     | 52SC6CK       | 52SC6CJ      | 52SC6CM        | <b>52SC6CE</b>     |   |
|              |         |                 |        |       | M M M                               | <b>52SC6BF</b>             | <b>52SC6BG</b> | 52SC6BH     | 52SC6BK       | 52SC6BJ      | 52SC6BM        | <b>52SC6BE</b>     |   |
|              |         |                 |        |       | S--->M M                            | —                          | —              | 52SC6BW     | 52SC6BT       | —            | —              | 52SC6BY            | — |
|              |         |                 |        |       | M M<----S                           | —                          | —              | 52SC6BU     | 52SC6BZ       | —            | —              | —                  | — |
|              |         |                 |        |       | S--->M<---S                         | —                          | —              | 52SC6BV     | —             | —            | —              | —                  | — |
| 1 N.O.       | A       | O               | O      | X     | M M M                               | 52SC6CFA1                  | 52SC6CGA1      | 52SC6CHA1   | 52SC6CKA1     | 52SC6CJA1    | 52SC6CMA1      | <b>52SC6CEA1</b>   |   |
|              |         |                 |        |       | S--->M M                            | —                          | —              | 52SC6CWA1   | 52SC6CTA1     | —            | —              | 52SC6CYA1          | — |
|              |         |                 |        |       | M M<----S                           | —                          | —              | 52SC6CUA1   | 52SC6CZA1     | —            | —              | —                  | — |
| 1 N.C.       | B       | X               | O      | O     | S--->M<---S                         | —                          | —              | 52SC6CVA1   | —             | —            | —              | —                  |   |
|              |         |                 |        |       | M M M                               | 52SC6CFA2                  | 52SC6CGA2      | 52SC6CHA2   | 52SC6CKA2     | 52SC6CJA2    | 52SC6CMA2      | <b>52SC6CEA2</b>   |   |
| 1 N.C.       | B       | X               | O      | O     | S--->M M                            | —                          | —              | 52SC6CWA2   | 52SC6CTA2     | —            | —              | 52SC6CYA2          | — |
| 1 N.O.       | C       | O               | O      | X     | M M<----S                           | —                          | —              | 52SC6CUA2   | 52SC6CZA2     | —            | —              | —                  |   |
| 1 N.C.       | D       | X               | O      | O     | S--->M<---S                         | —                          | —              | 52SC6CVA2   | —             | —            | —              | —                  |   |
| 1 N.O.       | A       | O               | O      | X     | M M M                               | 52SC6GFJ2K1                | 52SC6GGJ2K1    | 52SC6GHJ2K1 | 52SC6GKJ2K1   | 52SC6GJ2K1   | 52SC6GMJ2K1    | <b>52SC6GEJ2K1</b> |   |
| 1 N.C.       | B       | X               | O      | O     | M M M                               | 52SC6GFJ2K1                | 52SC6GGJ2K1    | 52SC6GHJ2K1 | 52SC6GKJ2K1   | 52SC6GJ2K1   | 52SC6GMJ2K1    | <b>52SC6GEJ2K1</b> |   |
| 1 N.C.       | C       | O               | X      | O     | M M M                               | 52SC6GFJ2K1                | 52SC6GGJ2K1    | 52SC6GHJ2K1 | 52SC6GKJ2K1   | 52SC6GJ2K1   | 52SC6GMJ2K1    | <b>52SC6GEJ2K1</b> |   |

| Contact Type | Contact | Switch Position |             |              |       | Type                                | Key Removal                |               |
|--------------|---------|-----------------|-------------|--------------|-------|-------------------------------------|----------------------------|---------------|
|              |         | Left            | Left Center | Right Center | Right | M = Maintained<br>S = Spring Return | Right                      | All Positions |
|              |         |                 |             |              |       |                                     | <b>4-Position Operator</b> |               |
| No Contacts  | —       | —               | —           | —            | —     | M M M M                             | <b>52SC6HG</b>             | 52SC6HE       |
| 1 N.O.       | A       | X               | O           | O            | O     | M M M M                             | 52SC6HGJ2K1                | 52SC6HEJ2K1   |
| 1 N.C.       | B       | O               | X           | O            | O     | M M M M                             | 52SC6HGJ2K1                | 52SC6HEJ2K1   |
| 1 N.C.       | C       | O               | O           | X            | O     | M M M M                             | 52SC6HGJ2K1                | 52SC6HEJ2K1   |
| 1 N.O.       | A       | O               | O           | O            | X     | M M M M                             | 52SC6HGJ2K2                | 52SC6HEJ2K2   |
| 1 N.O.       | B       | X               | O           | O            | O     | M M M M                             | 52SC6HGJ2K2                | 52SC6HEJ2K2   |
| 1 N.C.       | C       | O               | X           | O            | O     | M M M M                             | 52SC6HGJ2K2                | 52SC6HEJ2K2   |
| 1 N.C.       | D       | O               | O           | X            | O     | M M M M                             | 52SC6HGJ2K2                | 52SC6HEJ2K2   |

Note: X = Closed / O = Open

All Operators listed above are furnished with Lock No. 501CH

1) Readily available items are in bold.

This is a small representation of stocked items.

# 30mm Water, Oil Tight & Corrosion Resistant – Class 52

## Selector Push Button

### Selection Guide

### Selector Push Button

|                    |           |          |          |          |          |          |                       |
|--------------------|-----------|----------|----------|----------|----------|----------|-----------------------|
| <b>Part Number</b> | <b>52</b> | <b>S</b> | <b>A</b> | <b>c</b> | <b>d</b> | <b>e</b> | <b>f</b> <sup>1</sup> |
|                    |           | <b>a</b> | <b>b</b> |          |          |          |                       |



Selector Push Buttons

| Finish | Style                      | Function         | Color | Contacts | Part Number    |
|--------|----------------------------|------------------|-------|----------|----------------|
| Chrome | Flush Selector Push Button | 2 Position CAM Q | Black | None     | <b>52SA3Q1</b> |
| Chrome | Flush Selector Push Button | 2 Position CAM R | Black | None     | 52SA3R1        |
| Chrome | Flush Selector Push Button | 2 Position CAM P | Black | None     | 52SA3P1        |

Readily available items are in **bold**.  
This is a small representation of stocked items.

|          |             |                        |
|----------|-------------|------------------------|
| <b>a</b> | <b>Code</b> | <b>Type</b>            |
|          | <b>S</b>    | Selector Push Buttons  |
| <b>b</b> | <b>Code</b> | <b>Finish</b>          |
|          | <b>A</b>    | Chrome - Command 52    |
| <b>c</b> | <b>Code</b> | <b>Style</b>           |
|          | <b>3</b>    | Flush Button           |
|          | <b>4</b>    | Extended Button - 1/2" |





|          |             |                   |
|----------|-------------|-------------------|
| <b>d</b> | <b>Code</b> | <b>Function</b>   |
|          | <b>P</b>    | 2 Position: CAM P |
|          | <b>Q</b>    | 2 Position: CAM Q |
|          | <b>R</b>    | 2 Position: CAM R |
|          | <b>S</b>    | 3 Position: CAM S |

|          |             |              |
|----------|-------------|--------------|
| <b>e</b> | <b>Code</b> | <b>Color</b> |
|          | <b>1</b>    | Black        |
|          | <b>2</b>    | Red          |

| <b>f</b> <sup>1</sup> | <b>Code</b> | <b>Contact Blocks</b>       |   |        |     |       |   |                |                   |
|-----------------------|-------------|-----------------------------|---|--------|-----|-------|---|----------------|-------------------|
|                       |             | CAM P (2 Selector Position) |   |        |     |       |   |                |                   |
|                       |             | Left                        |   | Center |     | Right |   | Contact Blocks | Mounting Position |
|                       |             | N                           | D | N/A    | N/A | N     | D |                |                   |
|                       | J0          | X                           | O | —      | —   | O     | O | NC             | Left              |
|                       | K0          | O                           | X | —      | —   | X     | X | NO             | Left              |
|                       |             | CAM Q (2 Selector Position) |   |        |     |       |   |                |                   |
|                       |             | Left                        |   | Center |     | Right |   | Contact Blocks | Mounting Position |
|                       |             | N                           | D | N/A    | N/A | N     | D |                |                   |
|                       | J0          | X                           | X | —      | —   | O     | O | NC             | Left              |
|                       | J1          | X                           | O | —      | —   | O     | O | NC             | Right             |
|                       | K0          | O                           | O | —      | —   | O     | X | NO             | Left              |
|                       | K1          | O                           | X | —      | —   | O     | X | NO             | Right             |
|                       |             | CAM R (2 Selector Position) |   |        |     |       |   |                |                   |
|                       |             | Left                        |   | Center |     | Right |   | Contact Blocks | Mounting Position |
|                       |             | N                           | D | N/A    | N/A | N     | D |                |                   |
|                       | J0          | X                           | X | —      | —   | X     | O | NC             | Left              |
|                       | J1          | X                           | O | —      | —   | X     | X | NC             | Left              |
|                       | K0          | O                           | O | —      | —   | O     | X | NO             | Right             |
|                       | K1          | O                           | X | —      | —   | O     | O | NO             | Right             |
|                       |             | CAM S (3 Selector Position) |   |        |     |       |   |                |                   |
|                       |             | Left                        |   | Center |     | Right |   | Contact Blocks | Mounting Position |
|                       |             | N                           | D | N      | D   | N     | D |                |                   |
|                       | J0          | X                           | O | O      | O   | O     | O | NC             | Left              |
|                       | J1          | X                           | O | X      | X   | O     | O | NC             | Right             |
|                       | K0          | O                           | O | O      | X   | O     | X | NO             | Left              |
|                       | K1          | O                           | X | O      | O   | O     | X | NO             | Right             |

Note: X = Closed / O = Open      1 For operator without contact blocks leave position f blank

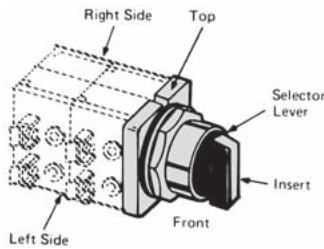
Selection and ordering data

|                                                                                   | Version                                                                            | Ohms / color                                                                                                                                            | Order no.                                                                                                                                                                                                                                                                                                                                                                                | Pack                                                                                                                                     |                                                                                        |              |   |
|-----------------------------------------------------------------------------------|------------------------------------------------------------------------------------|---------------------------------------------------------------------------------------------------------------------------------------------------------|------------------------------------------------------------------------------------------------------------------------------------------------------------------------------------------------------------------------------------------------------------------------------------------------------------------------------------------------------------------------------------------|------------------------------------------------------------------------------------------------------------------------------------------|----------------------------------------------------------------------------------------|--------------|---|
|  | Potentiometer operator<br>2 Watts, 500 V AC/DC (NEMA Type 4)                       | 50<br>150<br>250<br>500<br>750<br>1 K<br>2.5 K<br>5 K<br>10 K<br>15 K<br>25 K<br>50 K<br>100 K<br>150 K<br>250 K<br>500 K<br>1 M<br>1.5 M<br>2 M<br>5 M | <b>52MA3B01</b><br><b>52MA3B03</b><br><b>52MA3B04</b><br><b>52MA3B06</b><br><b>52MA3B07</b><br><b>52MA3B08</b><br><b>52MA3B10</b><br><b>52MA3B12</b><br><b>52MA3B14</b><br><b>52MA3B15</b><br><b>52MA3B16</b><br><b>52MA3B18</b><br><b>52MA3B20</b><br><b>52MA3B21</b><br><b>52MA3B22</b><br><b>52MA3B24</b><br><b>52MA3B26</b><br><b>52MA3B27</b><br><b>52MA3B28</b><br><b>52MA3B31</b> | 1                                                                                                                                        |                                                                                        |              |   |
|                                                                                   |  | 2 Button maintained operator                                                                                                                            | black (flush) / red (flush)<br>black (flush) / red (extended)<br>black (flush) / yellow (mushroom)<br>green (flush) / red (flush)<br>green (flush) / red (extended)<br>green (flush) / red (mushroom)<br>green (flush) / green (mushroom)                                                                                                                                                | <b>52MP2A1A2</b><br><b>52MP2A1B2</b><br><b>52MP2A1W4</b><br><b>52MP2A3A2</b><br><b>52MP2A3B2</b><br><b>52MP2A3W2</b><br><b>52MP2A3W3</b> | 1                                                                                      |              |   |
|                                                                                   |                                                                                    | Button remains depressed when pushed                                                                                                                    | less caps                                                                                                                                                                                                                                                                                                                                                                                | <b>52MP2</b>                                                                                                                             |                                                                                        |              |   |
|                                                                                   |                                                                                    |                                                                      | Wobble stick 2.5" operator<br>For use with 52BAJ (NC) contact block                                                                                                                                                                                                                                                                                                                      | red<br>green<br>grey                                                                                                                     | <b>52ABW2</b> <sup>①</sup><br><b>52ABW3</b> <sup>①</sup><br><b>52ABW6</b> <sup>①</sup> | 1            |   |
|                                                                                   |                                                                                    |                                                                                                                                                         |                                                                                                                                                                                                                                                                                                       | Maintained toggle operator                                                                                                               |                                                                                        | <b>52ABT</b> | 1 |

① For use with 52BAJ (NC) contact block

## Cam selection

### Selection and ordering data



#### Ordering Information

- Contact blocks are ordered separately, [see page 10/205](#)
- Determine which table to use based upon the type of selector (non-illum selector switch-top, illum selector switch-middle, and selector pushbutton-bottom).
- Find the correct number of selector positions (2, 3 or 4 positions).
- Select the contact operation required for each selector position. X indicates the contacts are closed, while O indicates the contacts are open. (For the selector pushbutton, N=normal and D=depressed).
- Contact block must be assembled in position shown for each circuit application.
- Identify the CAM letter required for the chosen contact operation (only 1 CAM can be used per selector switch or selector pushbutton).
- Contact blocks must be assembled in the position shown for each circuit application. The mounting position is viewed from the front of the device.

#### Ordering CAMs D, E or G

- CAM D, E or G may be ordered at the same price by changing the 6th character of the selector catalog number. Example: Selector with D cam **52SX2DAB**.

#### Size Requirements

- C CAM on spring return selectors is limited to 4 contact blocks.
- Selector operators in enclosures are limited to depth of 1 contact block. (2 blocks wide).

### Non-illuminated and keyed selector switches (viewed from front)

| 2 Selector Positions |             |              |       | Contact Blocks | CAM            | Mounting |          |  |
|----------------------|-------------|--------------|-------|----------------|----------------|----------|----------|--|
| Left                 |             | Right        | Left  |                |                | Right    |          |  |
| X                    |             | O            |       | NC (52BAJ)     | A              | L        | or R     |  |
| O                    |             | X            |       | NO (52BAK)     | A              | L        | or R     |  |
| 3 Selector Positions |             |              |       | Contact Blocks | CAM            | Mounting |          |  |
| Left                 | Center      | Right        | Left  |                |                | Right    |          |  |
| X                    |             | O            |       | NO (52BAK)     | B              |          | R        |  |
| O                    |             | X            |       | NO (52BAK)     | B              | L        |          |  |
| X                    | X           | O            |       | NC (52BAJ)     | B              | L        |          |  |
| O                    | X           | X            |       | NC (52BAJ)     | B              |          | R        |  |
| X                    | O           | X            |       | 2NO (2-52BAK)  | B              | L        | and R    |  |
| X                    | O           | O            |       | NC (52BAJ)     | C              | L        | or R     |  |
| O                    | O           | X            |       | NO (52BAK)     | C              | L        | or R     |  |
| O                    | X           | O            |       | NC (52BAJ)     | D              | L        | or R     |  |
| O                    | O           | X            |       | NO (52BAK)     | D              | L        | or R     |  |
| X                    | O           | O            |       | NO (52BAK)     | E              | L        | or R     |  |
| O                    | X           | O            |       | NC (52BAJ)     | E              | L        | or R     |  |
| X                    | O           | O            |       | NC (52BAJ)     | G              | L        |          |  |
| O                    | X           | O            |       | NC (52BAJ)     | G              |          | R        |  |
| O                    | O           | X            |       | NO (52BAK)     | G              | L        | or R     |  |
| 4 Selector Positions |             |              |       |                | Contact Blocks | CAM      | Mounting |  |
| Left                 | Left Center | Right Center | Right | Left           |                |          | Right    |  |
| X                    | O           | O            | O     | NO (52BAK)     | H              |          | R        |  |
| O                    | X           | O            | O     | NC (52BAJ)     | H              | L        |          |  |
| O                    | O           | X            | O     | NC (52BAJ)     | H              |          | R        |  |
| O                    | O           | O            | X     | NO (52BAK)     | H              | L        |          |  |

### Illuminated selector switches (viewed from front)

| 2 Selector Positions |        |       |      | Contact Blocks | CAM | Mounting |   |
|----------------------|--------|-------|------|----------------|-----|----------|---|
| Left                 |        | Right | Left |                |     | Right    |   |
| X                    |        | O     |      | NC (52BAJ)     | A   | L        |   |
| O                    |        | X     |      | NO (52BAK)     | A   | L        |   |
| 3 Selector Positions |        |       |      | Contact Blocks | CAM | Mounting |   |
| Left                 | Center | Right | Left |                |     | Right    |   |
| O                    | O      | X     |      | NC (52BAJ)     | B   |          | R |
| O                    | X      | O     |      | NO (52BAK)     | B   |          | R |
| X                    | O      | O     |      | NC (52BAJ)     | C   | L        |   |
| O                    | O      | X     |      | NO (52BAK)     | C   | L        |   |

### Selector Pushbuttons (viewed from front)

| 2 Selector Positions |   |        |       |            |       | Contact Blocks | CAM | Mounting |      |
|----------------------|---|--------|-------|------------|-------|----------------|-----|----------|------|
| Left                 |   | Right  |       | Left       | Right |                |     |          |      |
| N                    | D | N      | D     |            |       |                |     |          |      |
| X                    | O | O      | O     | NC (52BAJ) | Q     |                |     | L        | R    |
| O                    | X | O      | X     | NC (52BAJ) | Q     |                |     | L        | R    |
| O                    | O | O      | X     | NO (52BAK) | Q     |                |     | L        | R    |
| O                    | O | O      | X     | NO (52BAK) | Q     |                |     | L        | R    |
| X                    | O | O      | O     | NC (52BAJ) | P     |                |     | L        | or R |
| O                    | X | X      | X     | NO (52BAK) | P     |                |     | L        | or R |
| X                    | X | X      | O     | NC (52BAJ) | R     |                |     | L        |      |
| X                    | O | X      | X     | NC (52BAJ) | R     |                |     | L        |      |
| O                    | X | O      | O     | NO (52BAK) | R     |                |     | L        | R    |
| O                    | O | O      | X     | NO (52BAK) | R     |                |     | L        | R    |
| 3 Selector Positions |   |        |       |            |       | Contact Blocks | CAM | Mounting |      |
| Left                 |   | Center | Right |            |       |                |     |          |      |
| N                    | D | N      | D     | N          | D     |                |     |          |      |
| X                    | O | O      | O     | O          | O     | NC (52BAJ)     | S   | L        |      |
| X                    | O | X      | X     | O          | O     | NC (52BAJ)     | S   |          | R    |
| O                    | X | O      | O     | O          | X     | NO (52BAK)     | S   |          | R    |
| O                    | O | O      | X     | O          | X     | NO (52BAK)     | S   | L        |      |

### Selection and ordering data

#### Assembled Non-illuminated Selector Switches







- Determine contact block and location from above.
- Select block suffix. Ex: **J = 52BAJ**.
- Now select position suffix.
- **1-52BAJ** block mounted on right side, suffix will be **J 1**.
- Additional suffixes allow for multiple quantities and locations.
- Repeat process for next block if required.
- Add list price of blocks to operator list price.
- Consult factory for delivery.

**Example 1:**     X O O  
                       O O X  
 HAND-OFF-AUTO Maintained Switch  
 Catalog No **52SA2CAB A 1 = 52A2CABA1**  
 (**52BJK** block mounted on right side)

**Example 2:**     X O O **52BAJ (L)**  
                       O X O **52BAJ (R)**  
                       O O X **52BAK (L or R) }K1**  
 G Cam required  
 Catalog No **52SA2GAB J2 K1 = 52SA2GABJ2K1**

| Block Suffix                    | Position Suffix |                       |
|---------------------------------|-----------------|-----------------------|
|                                 | Suffix          | Quantity and Location |
|                                 |                 | Left      Right       |
| A = 1 NO - 1 NC, <b>52BJK</b>   | 0               | 1      —              |
| E = NC Late Break, <b>52BAE</b> | 1               | —      1              |
| H = NO Early Make, <b>52BAH</b> | 2               | 1      1              |
| J = NC, <b>52BAJ</b>            | 3               | 2      —              |
| K = NO, <b>52BAK</b>            | 4               | —      2              |
|                                 | 5               | 2      1              |
|                                 | 6               | 1      2              |
|                                 | 7               | 2      2              |
|                                 | 8               | 3      —              |
|                                 | 9               | —      3              |

**Selection and ordering data**

| Version                                                                                                                                                                                                                                                                                                                                                                                                                        | Suitable for                                                                  | Color                                                                                | Order no.                                                                            |
|--------------------------------------------------------------------------------------------------------------------------------------------------------------------------------------------------------------------------------------------------------------------------------------------------------------------------------------------------------------------------------------------------------------------------------|-------------------------------------------------------------------------------|--------------------------------------------------------------------------------------|--------------------------------------------------------------------------------------|
|  <p><b>Flush actuator lens cap</b><br/>The 52RC1 Screw-on style caps shown are used on the new 52BM8 &amp; 52PM8 Pushbutton Operators. To order Snap-on style replacement caps for the old style 52PA8 &amp; 52PX8 Pushbutton Operators change the 4th character from "C" to "A" (i.e. 52RA1A1).</p>                                          | For flush type, non-illuminated pushbuttons bag of 5 caps                     | black<br>red<br>green<br>yellow<br>blue<br>gray<br>orange<br>kit- all colors         | 52RC1A1<br>52RC1A2<br>52RC1A3<br>52RC1A4<br>52RC1A5<br>52RC1A6<br>52RC1A8<br>52RC1AN |
|  <p><b>Extended actuator lens cap</b><br/>The 52RC1 Screw-on style caps shown are used on the new 52BM8 &amp; 52PM8 Pushbutton Operators. To order Snap-on style replacement caps for the old style 52PA8 &amp; 52PX8 Pushbutton Operators change the 4th character from "C" to "A" (i.e. 52RA1B1).</p>                                       | For extended type, non-illuminated pushbuttons bag of 5 caps                  | black<br>red<br>green<br>yellow<br>blue<br>gray<br>orange<br>1 of each color cap     | 52RC1B1<br>52RC1B2<br>52RC1B3<br>52RC1B4<br>52RC1B5<br>52RC1B6<br>52RC1B8<br>52RC1BN |
|  <p><b>Mushroom head cap - Plastic set-screw type</b><br/>replacement caps are for discontinued 52PB9 and 52PX9 operators only</p>                                                                                                                                                                                                            | For large 2 1/2"(63.5mm) type, set screw non-illuminated mushroom pushbuttons | black<br>red<br>green<br>yellow<br>blue<br>gray<br>orange<br>1 kit of each color cap | 52RB3E1<br>52RB3E2<br>52RB3E3<br>52RB3E4<br>52RB3E5<br>52RB3E6<br>52RB3E8<br>52RB3EN |
|                                                                                                                                                                                                                                                                                                                                                                                                                                | For small 1 5/8"(41.3mm) type, non-illuminated mushroom pushbuttons           | black<br>red<br>green<br>yellow<br>blue<br>gray<br>orange<br>1 of each color cap     | 52RB3D1<br>52RB3D2<br>52RB3D3<br>52RB3D4<br>52RB3D5<br>52RB3D6<br>52RB3D8<br>52RB3DN |
|  <p><b>Mushroom head cap - Metal set-screw type</b></p>                                                                                                                                                                                                                                                                                     | For small 1 5/8"(41.3mm) type, set screw non-illuminated mushroom pushbuttons | chrome<br>red<br>green                                                               | 52RB3FC<br>52RB3F2<br>52RB3F3                                                        |
|  <p><b>Replacement Lens for Indicator Lights</b></p>                                                                                                                                                                                                                                                                                        | For catalog numbers starting with 52PL or 52BL <sup>①②</sup>                  |                                                                                      |                                                                                      |
|                                                                                                                                                                                                                                                                                                                                                                                                                                | Plastic                                                                       | red<br>green<br>blue<br>amber<br>clear<br>white<br>1 of each color                   | 52RA4S2<br>52RA4S3<br>52RA4S5<br>52RA4S9<br>52RA4SA<br>52RA4SB<br>52RA4SN            |
|                                                                                                                                                                                                                                                                                                                                                                                                                                | Glass                                                                         | red<br>green<br>blue<br>amber<br>clear<br>white<br>1 of each color                   | 52RA4T2<br>52RA4T3<br>52RA4T5<br>52RA4T9<br>52RA4TA<br>52RA4TB<br>52RA4TN            |
|  <p><b>Replacement Lens for Push to Test/Illuminated Pushbuttons</b><br/>The 52RA5S Raised lens caps shown are used on the 52BT6 &amp; 52PT6 PTT/Illuminated Pushbutton Operators. To order Flush lens caps for the new style 52BT8 &amp; 52PT8 PTT/Illuminated Pushbutton Operators change the 52RA5S prefix to 52RC5P (i.e. 52RC5P2).</p> | For catalog numbers starting with 52PT or 52BT <sup>③</sup>                   |                                                                                      |                                                                                      |
|                                                                                                                                                                                                                                                                                                                                                                                                                                | Plastic                                                                       | red<br>green<br>blue<br>amber<br>clear<br>white                                      | 52RA5S2<br>52RA5S3<br>52RA5S5<br>52RA5S9<br>52RA5SA<br>52RA5SB                       |








① To order replacement lens for indicator lights starting with 52PA, 52PE, or 52PX, change the 6th digit to P for plastic and G for glass.

② It is possible to retrofit catalog numbers starting with 52PA, 52PE and 52PX with the replacement lens. The new lens have concentric ribs for improved light distribution.

③ To order replacement lens for push to test / illuminated pushbuttons starting with 52PA, 52PE, or 52PX, change the 6th digit to a P.











Selection and ordering data

| Version                                                                                                                                                              | Suitable for                                                                                       | Color                                                                                                                  | Order no.                                                                                                                                                                                                                                                |
|----------------------------------------------------------------------------------------------------------------------------------------------------------------------|----------------------------------------------------------------------------------------------------|------------------------------------------------------------------------------------------------------------------------|----------------------------------------------------------------------------------------------------------------------------------------------------------------------------------------------------------------------------------------------------------|
| <b>Mushroom head push pull illuminated plastic screw-on type</b>                                                                                                     | For small 1 3/4" type, push-pull units                                                             | red<br>green<br>amber                                                                                                  | <b>52RC3JR</b><br><b>52RC3JS</b><br><b>52RC3JT</b>                                                                                                                                                                                                       |
|                                                                                                                                                                      | For large 2 1/2" type, push-pull units                                                             | red<br>green<br>amber                                                                                                  | <b>52RC3KR</b><br><b>52RC3KS</b><br><b>52RC3KT</b>                                                                                                                                                                                                       |
|  <b>Mushroom head push pull illuminated metal screw-on type</b>                     | Chrome, for small 1 3/4" type, push-pull units                                                     | red<br>green<br>amber<br>white                                                                                         | <b>52RB3H2</b><br><b>52RB3H3</b><br><b>52RB3H9</b><br><b>52RB3HB</b>                                                                                                                                                                                     |
|                                                                                                                                                                      | BlackMax, for small 1 3/4" type, push-pull units                                                   | red<br>green<br>amber<br>white                                                                                         | <b>52RX3H2</b><br><b>52RX3H3</b><br><b>52RX3H9</b><br><b>52RX3HB</b>                                                                                                                                                                                     |
|  <b>Mushroom head push pull non-illuminated plastic screw-on type</b>               | For small 1 3/4" type, push-pull units (catalog numbers starting with 52PP, 52BP, 52PM9 or 52BM9)① | black<br>red<br>green<br>yellow<br>blue<br>gray<br>orange<br>1 of each color                                           | <b>52RC3D1</b><br><b>52RC3D2</b><br><b>52RC3D3</b><br><b>52RC3D4</b><br><b>52RC3D5</b><br><b>52RC3D6</b><br><b>52RC3D8</b><br><b>52RC3DN</b>                                                                                                             |
|                                                                                                                                                                      | For large 2 1/2" type, push-pull units (catalog numbers starting with 52PP, 52BP, 52PM9 or 52BM9)① | black<br>red<br>green<br>yellow<br>blue<br>gray<br>orange<br>1 of each color                                           | <b>52RC3E1</b><br><b>52RC3E2</b><br><b>52RC3E3</b><br><b>52RC3E4</b><br><b>52RC3E5</b><br><b>52RC3E6</b><br><b>52RC3E8</b><br><b>52RC3EN</b>                                                                                                             |
|  <b>Mushroom head push pull non-illuminated metal screw-on type</b>               | For small 1 3/4" type, push-pull units (catalog numbers starting with 52PP or 52BP)①               | red<br>green<br>chrome                                                                                                 | <b>52RC3F2</b><br><b>52RC3F3</b><br><b>52RC3FC</b>                                                                                                                                                                                                       |
|  <b>Twist to release head illuminated plastic screw-on type</b>                   | For small twist to release units                                                                   | red<br>green<br>amber                                                                                                  | <b>52RC3RR</b><br><b>52RC3RS</b><br><b>52RC3RT</b>                                                                                                                                                                                                       |
|  <b>Twist to release head non-illuminated plastic screw-on type</b>               | For small twist to release units                                                                   | red<br>green<br>yellow                                                                                                 | <b>52RC3R2</b><br><b>52RC3R3</b><br><b>52RC3R4</b>                                                                                                                                                                                                       |
|  <b>Replacement lens kit for illuminated selector switches (Knob with Insert)</b> |                                                                                                    | red<br>green<br>blue<br>amber<br>clear<br>white                                                                        | <b>52RA6P2</b><br><b>52RA6P3</b><br><b>52RA6P5</b><br><b>52RA6P9</b><br><b>52RA6PA</b><br><b>52RA6PB</b>                                                                                                                                                 |
|  <b>Lever inserts</b><br><b>Short lever</b><br><br><b>Long lever</b>              |                                                                                                    | red<br>green<br>yellow<br>blue<br>gray<br>orange<br>white<br>red<br>green<br>yellow<br>blue<br>gray<br>orange<br>white | <b>52RA2A2</b><br><b>52RA2A3</b><br><b>52RA2A4</b><br><b>52RA2A5</b><br><b>52RA2A6</b><br><b>52RA2A8</b><br><b>52RA2AB</b><br><b>52RA2B2</b><br><b>52RA2B3</b><br><b>52RA2B4</b><br><b>52RA2B5</b><br><b>52RA2B6</b><br><b>52RA2B8</b><br><b>52RA2BB</b> |

① For push-pull units whose catalog numbers that start with 52PX, 52PA or 52PE, replacement heads are available. Order from the 52RB type "Mushroom head pushbutton cap" section on page 10/205.

### Selection and ordering data

| Version                                                                                                                                                                                                                                                                              | Suitable for                                                                                                                                                                                                                                                                                            | Color                                                                                                     | Order no.                                                                                                                                                                  |
|--------------------------------------------------------------------------------------------------------------------------------------------------------------------------------------------------------------------------------------------------------------------------------------|---------------------------------------------------------------------------------------------------------------------------------------------------------------------------------------------------------------------------------------------------------------------------------------------------------|-----------------------------------------------------------------------------------------------------------|----------------------------------------------------------------------------------------------------------------------------------------------------------------------------|
|  <b>Protective boot</b><br>Offers protection from ice and foreign substances from interfering with button operation                                                                                 | Flush pushbutton operations                                                                                                                                                                                                                                                                             | clear<br>black                                                                                            | <b>52AABA</b><br><b>52AAB1</b>                                                                                                                                             |
|  <b>Guards</b><br>Prevents accidental operation                                                                                                                                                     | Non-illuminated basic pushbuttons<br><br>1 5/8" mushroom pushbuttons, 1 3/4" push-pull units <sup>①</sup> , and twist to release units<br>Push to test/illuminated pushbutton and indicator lights                                                                                                      | chrome<br>blackmax<br><br>chrome<br>blackmax<br>chrome<br>blackmax                                        | <b>52AAGP</b><br><b>52AXGP</b><br><br><b>52AAGM</b><br><b>52AXGM</b><br><b>52AAGL</b><br><b>52AXGL</b>                                                                     |
|  <b>EMERGENCY-STOP Lock Out</b><br><b>EMERGENCY-STOP Backing Ring</b>                                                                                                                               | Class 52 Illuminated Mushroom Head Pushbuttons; 304 Stainless Steel<br><br>Yellow 90mm E-STOP Backing Ring                                                                                                                                                                                              | chrome (304 SS)                                                                                           | <b>52AALE</b><br><b>52AAR</b>                                                                                                                                              |
|  <b>Locknuts</b><br>Replacement front ring                                                                                                                                                          | Non-illuminated basic pushbuttons<br><br>Non-illuminated mushroom pushbuttons<br><br>Push-pull and twist-to-release units (only for push-pull units starting with 52PP or 52BP) <sup>②</sup><br>Indicator Lights<br><br>Selector switches                                                               | chrome<br>blackmax<br><br>chrome<br>blackmax<br>chrome<br>blackmax<br>blue<br>amber<br>chrome<br>blackmax | <b>52AANP</b><br><b>52AXNP</b><br><br><b>52AANL</b><br><b>52AXNL</b><br><b>52CANP</b><br><b>52CXNP</b><br><b>52AANL</b><br><b>52AXNL</b><br><b>52AANS</b><br><b>52AXNS</b> |
| <b>Mounting Accessories</b>                                                                                                                                                                                                                                                          | Class 52 Trim Washer Kit (Set of 10 pcs)<br>Class 52 Washer Kit (Include 2-Neoprene Gaskets, 1-Trim Washer, 1-Index Locking Ring (chrome))                                                                                                                                                              | chrome                                                                                                    | <b>52AAQ</b><br><b>52AAD</b>                                                                                                                                               |
| <b>Padlock attachments</b>                                                                                                                                                                                                                                                           | Non-illuminated basic pushbuttons                                                                                                                                                                                                                                                                       | flush<br>extended                                                                                         | <b>52AALA</b><br><b>52AALB</b>                                                                                                                                             |
|  <b>Padlock cover</b><br>Lock devices in off position                                                                                                                                             | Pushbuttons, selector switches, and non-illuminated mushroom heads                                                                                                                                                                                                                                      |                                                                                                           | <b>52AALS</b>                                                                                                                                                              |
|  <b>Lock nut wrench</b>                                                                                                                                                                           | All devices                                                                                                                                                                                                                                                                                             |                                                                                                           | <b>52MAWB</b>                                                                                                                                                              |
|  <b>Hole plugs</b>                                                                                                                                                                                |                                                                                                                                                                                                                                                                                                         | corrosion resistant<br>steel, grey<br>stainless steel                                                     | <b>52AAH6</b><br><b>52ABH6</b><br><b>52ABHS</b>                                                                                                                            |
| <b>Spare keys</b><br>(Kit includes 1 Key)                                                                                                                                                                                                                                            | Class 52 Standard Keyed Selector Switch.<br>Keyed Selector Switch ordered with Suffix X302.<br>Keyed Selector Switch ordered with Suffix X301.<br>Keyed Selector Switch ordered with Suffix X300.<br>Keyed Selector Switch ordered with Suffix X299.<br>Keyed Selector Switch ordered with Suffix X298. | 501CH<br>506CH<br>547CH<br>548CH<br>549CH<br>550CH                                                        | <b>52KEY-501CH</b><br><b>52KEY-506CH</b><br><b>52KEY-547CH</b><br><b>52KEY-548CH</b><br><b>52KEY-549CH</b><br><b>52KEY-550CH</b>                                           |
| <b>Grounding kit</b>                                                                                                                                                                                                                                                                 | All devices                                                                                                                                                                                                                                                                                             |                                                                                                           | <b>52AL109145</b>                                                                                                                                                          |
|  <b>Touchsafe contact blocks with gold flashing</b><br><br>52 BAJ 1 NO<br>1 NC<br>1 NO - 1 NC<br><br>52 BAK 1 NO early make<br>1 NC late break<br>1 NO - 1 NC<br><br>52 BAR 1 NC extra late break | closes before 52BAK<br>opens after 52BAJ<br>Reed switch; UL listed for class 1 division 2;<br>.25A Max, 200V AC, 10 Watt max<br>.5A Max, 200V DC, 10 Watt max                                                                                                                                           |                                                                                                           | <b>52BAK</b><br><b>52BAJ</b> <sup>④</sup><br><b>52BJK</b> <sup>④</sup><br><b>52BAH</b><br><b>52BAE</b><br><b>52BAR</b> <sup>④</sup><br><br><b>52BAU</b>                    |


① These can also be used with the 1 5/8" push-pull devices.

② For push-pull units starting with part numbers 52PA, 52PE or 52PX, replacement locknuts can be ordered using 52AANL (Chrome) and 52AXNL (BlackMax).

③ Hermetically Sealed

④ ⊕ Positive opening according to IEC 60947-5-1, Appendix K.

**Selection and ordering data**

| Version                                                                           | Suitable for                                | Lamp voltage                                       | Color         | Order no.                                                                 |
|-----------------------------------------------------------------------------------|---------------------------------------------|----------------------------------------------------|---------------|---------------------------------------------------------------------------|
| <b>Lamps with screw connection, miniature bayonet (BA 9s style)</b>               |                                             |                                                    |               |                                                                           |
| <b>Incandescent lamps,</b>                                                        |                                             |                                                    |               |                                                                           |
|  | Flashing, type 267 lamp (replaces 755 lamp) | 51, 52                                             | 6 V           | <b>52AABNF</b>                                                            |
|                                                                                   | 6V type 755 lamp (Rated 150 mA)             | 51, 52                                             | 6 V           | <b>52AABN</b>                                                             |
|                                                                                   | 12V type 756 (Rated 80 mA)                  | 51, 52                                             | 12 V          | <b>52AACN</b>                                                             |
|                                                                                   | 24V type 757 (Rated 80 mA)                  | 51, 52                                             | 24 V          | <b>52AADN</b>                                                             |
|                                                                                   | 48V, 2W                                     | 52                                                 | 48 V          | <b>3SB1902-1AP</b>                                                        |
|                                                                                   | 60V, 2W                                     | 52                                                 | 60 V          | <b>3SR9424</b>                                                            |
|                                                                                   | 120V, 2.5W, type #120MB (Rated 250 mA)      | 52                                                 | 120 V         | <b>52AAENC1</b>                                                           |
| Neon (uses resistors) type B2A (NE-51H)                                           | 52                                          | 120 V                                              | <b>52AAPN</b> |                                                                           |
| <b>Candelabra, 120V, 3W, Full voltage type 3S6/5</b>                              | 52 older revision styles                    | 120 V                                              |               | <b>52AAENC</b>                                                            |
| <b>LED bulbs<sup>①</sup></b>                                                      |                                             |                                                    |               |                                                                           |
| LED, BA9s type <sup>②</sup>                                                       | Class 52                                    | 6 V AC/DC<br>24 V AC/DC<br>120 V AC/DC             |               | <b>52AEB□</b><br><b>52AED□</b><br><b>52AEE□</b>                           |
| Super-Bright LED <sup>②</sup>                                                     | Class 52                                    | 6 V AC/DC<br>24 V AC/DC<br>120 V AC/DC<br>120 V DC |               | <b>52AEB□7</b><br><b>52AED□7</b><br><b>52AEE□7</b><br><b>52AEV□7</b>      |
| <b>LED lighting module with integrated LED.</b>                                   |                                             |                                                    |               |                                                                           |
| Single LED (Rated 35 mA Maximum)                                                  | Class 52                                    | 24 V AC/DC<br>120 V AC<br>240 V AC                 |               | <b>52AAIL□</b><br><b>52AAIM□</b><br><b>52AAIN□</b>                        |
| <b>Full voltage lighting module accessory with BA9s type lamp<sup>①</sup></b>     |                                             |                                                    |               |                                                                           |
| LED <sup>②</sup>                                                                  | Class 52                                    | 6 V AC/DC<br>24 V AC/DC<br>120 V AC/DC             |               | <b>52AAF□B</b><br><b>52AAF□D</b><br><b>52AAF□E</b>                        |
| Super-Bright LED <sup>②</sup>                                                     | Class 52                                    | 6 V AC/DC<br>24 V AC/DC<br>120 V AC/DC             |               | <b>52AAF□Y</b><br><b>52AAF□D□Y</b><br><b>52AAF□E□Y</b>                    |
| Incandescent bulb                                                                 | Class 52                                    | 6 V AC/DC<br>24 V AC/DC<br>120 V AC/DC             |               | <b>52AAF□B</b><br><b>52AAF□D</b><br><b>52AAF□E</b>                        |
| <b>Transformer lighting module accessory with BA9s type lamp<sup>①</sup></b>      |                                             |                                                    |               |                                                                           |
| LED                                                                               | Class 52                                    | 120 V AC<br>240 V AC<br>480 V AC<br>600 V AC       |               | <b>52AAT□B</b><br><b>52AATH□B</b><br><b>52AAT□J□B</b><br><b>52AAT□K□B</b> |
| Super-Bright LED                                                                  | Class 52                                    | 120 V AC<br>240 V AC<br>480 V AC<br>600 V AC       |               | <b>52AAT□Y</b><br><b>52AATH□Y</b><br><b>52AAT□J□Y</b><br><b>52AAT□K□Y</b> |
| Incandescent bulb                                                                 | Class 52                                    | 120 V AC<br>240 V AC<br>480 V AC<br>600 V AC       |               | <b>52AAT□N</b><br><b>52AATH□N</b><br><b>52AAT□J□N</b><br><b>52AAT□K□N</b> |

Color options:

- red
- green
- yellow/amber
- blue
- white/clear

- 2
- 3
- 4
- 5
- B

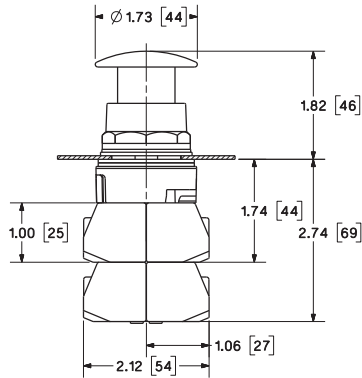
① Standard LED lamps are recommended for indoor applications, Super-Bright LED Lamps are recommended for outdoor applications.

② 6V, 24V (Super Bright only) and 120V are currently AC only. Replaced by AC/DC rated versions end of 2014.

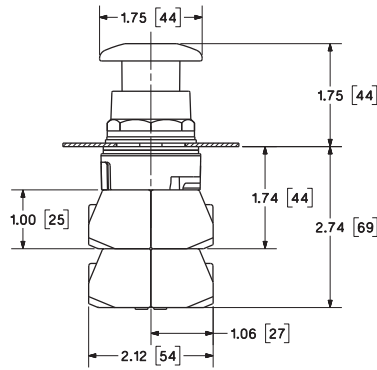
# 30mm Water, Oil Tight & Corrosion Resistant – Class 52

## Dimensional drawings

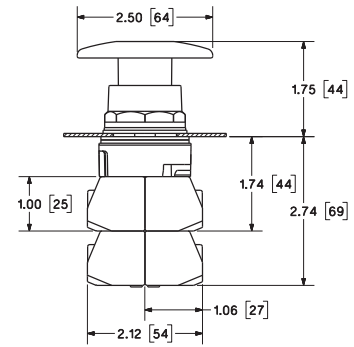
Non-Illuminated Push-Pull  
Metal Mushroom Head



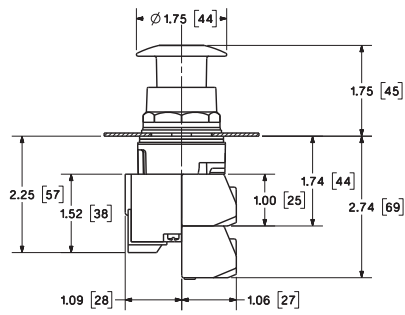
Non-Illuminated Push-Pull  
Small Plastic Mushroom Head



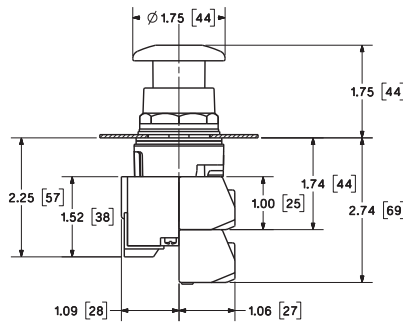
Non-Illuminated Push-Pull  
Large Plastic Mushroom Head



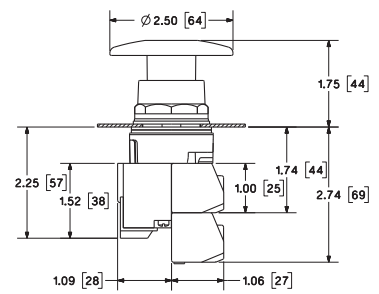
Illuminated Push-Pull  
Metal Mushroom Head



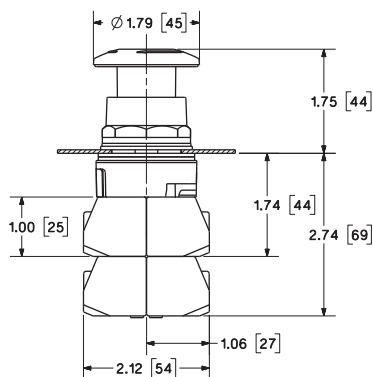
Fully Illuminated Push-Pull  
Small Plastic Mushroom Head



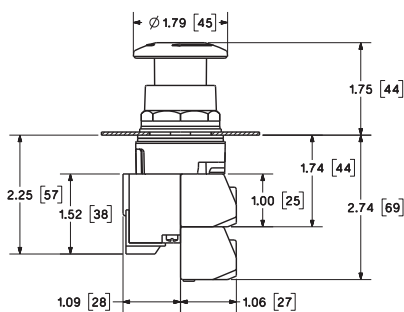
Illuminated Push-Pull  
Large Plastic Mushroom Head



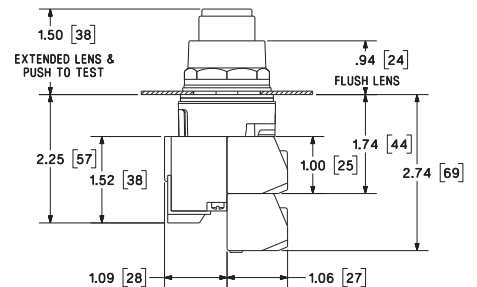
Non-Illuminated Twist Release  
Plastic Mushroom Head



Illuminated Twist Release  
Plastic Mushroom Head



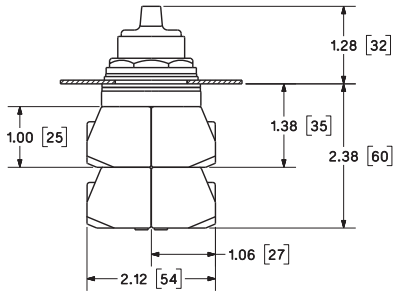
Illuminated Pushbutton Flush Lens  
Illuminated Pushbutton Extended Lens  
Illuminated Push to Test



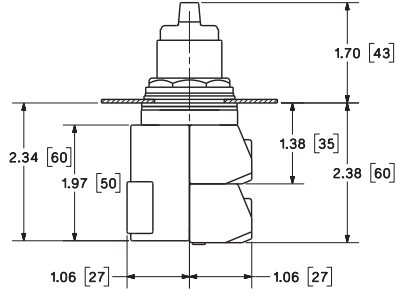
# 30mm Water, Oil Tight & Corrosion Resistant – Class 52

## Dimensional drawings

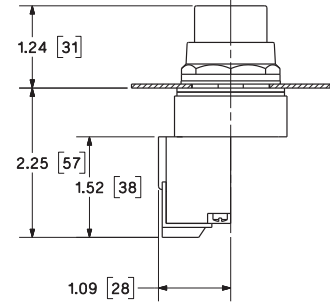
Selector Switch  
Non-Illuminated



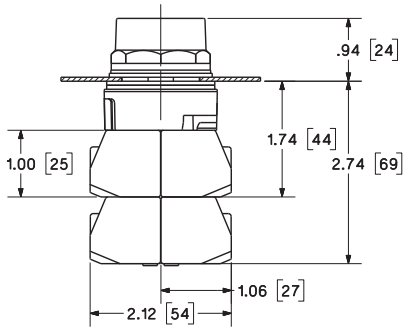
Selector Switch  
Illuminated



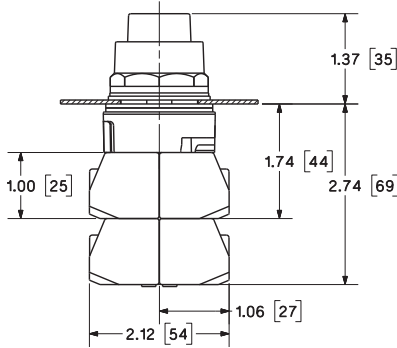
Indicator Light  
Plastic Lens



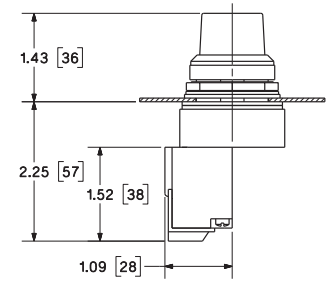
Momentary Pushbutton  
Non-Illuminated Flush Cap



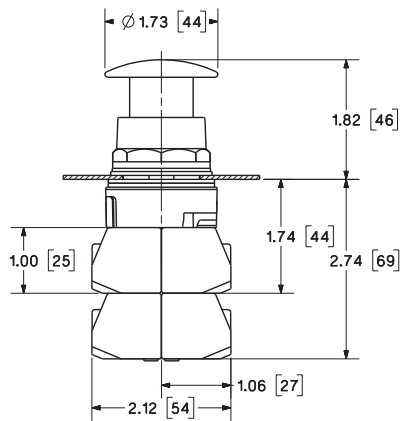
Momentary Pushbutton  
Non-Illuminated Raised Cap



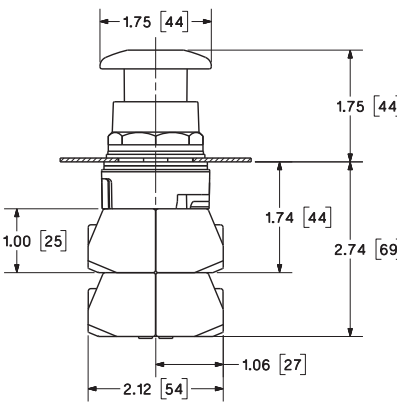
Indicator Light  
Glass Lens



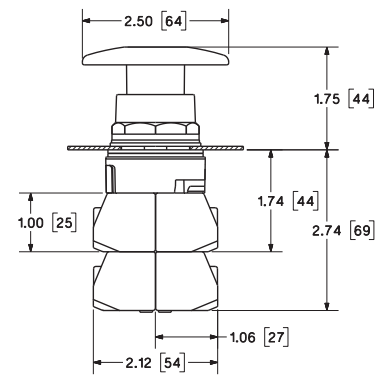
Momentary Pushbutton  
Metal Mushroom Head



Momentary Pushbutton  
Small Plastic Mushroom Head



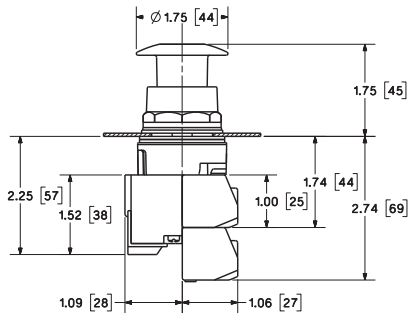
Momentary Pushbutton  
Large Plastic Mushroom Head



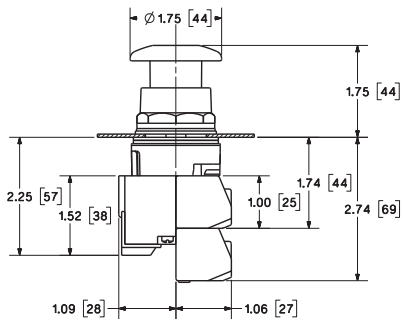
# 30mm Water, Oil Tight & Corrosion Resistant – Class 52

## Dimensional drawings

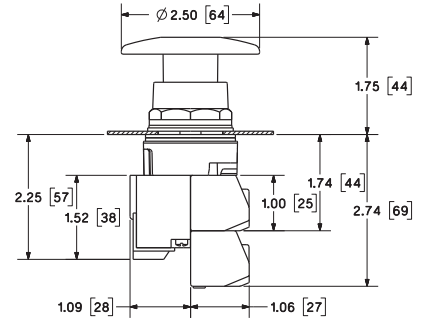
Illuminated Momentary Pushbutton  
Metal Mushroom Head



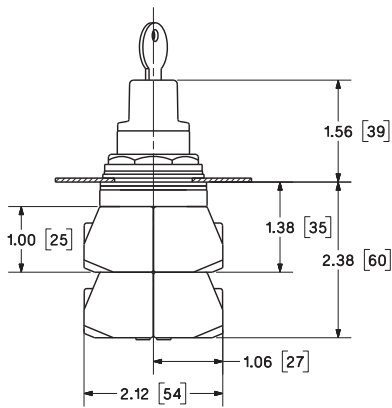
Illuminated Momentary Pushbutton  
Small Plastic Mushroom Head



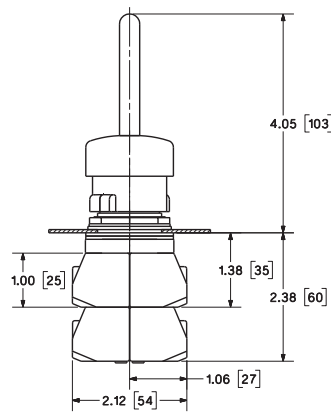
Illuminated Momentary Pushbutton  
Large Plastic Mushroom Head



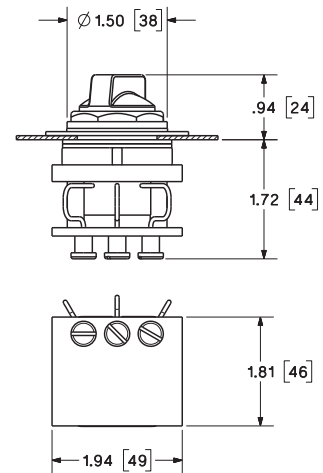
Selector Switch  
Keyed



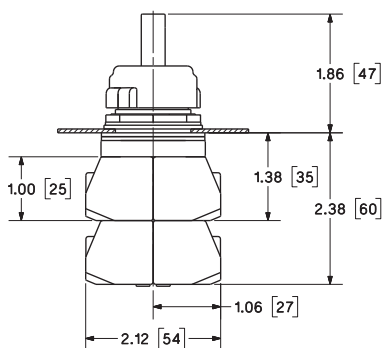
Wobble Switch



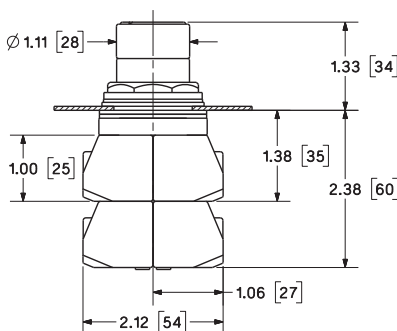
Potentiometer Switch



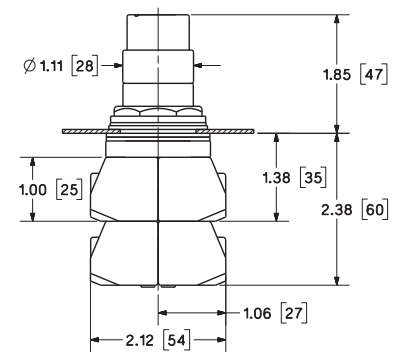
Toggle Switch



Selector Pushbutton Switch  
Flush Cap

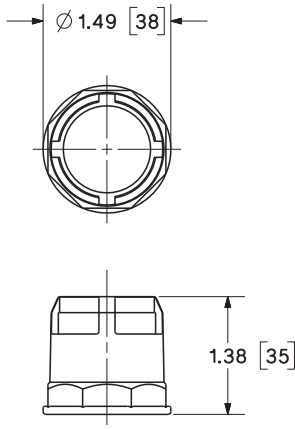


Selector Pushbutton Switch  
Raised Cap

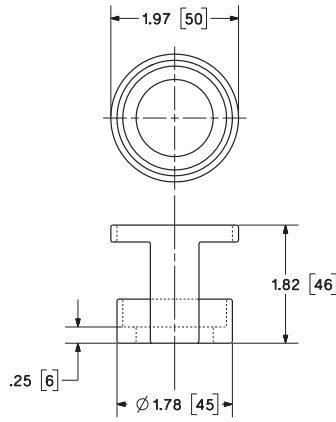


Dimensional drawings

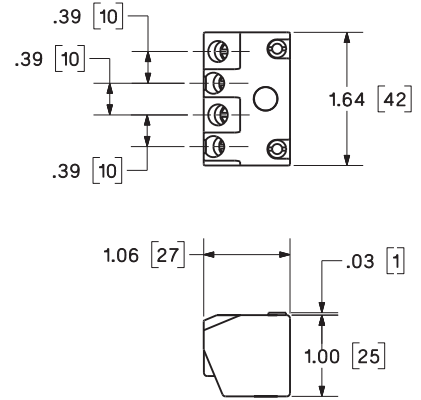
Momentary Pushbutton Guard  
Illuminated Push to Test Guard



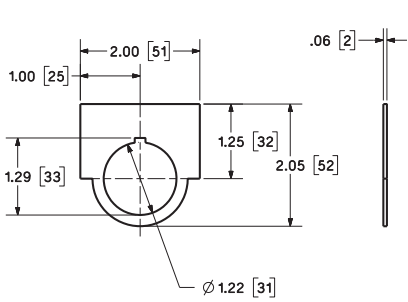
Mushroom Head Guard



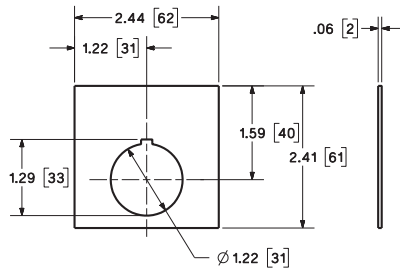
Contact Block



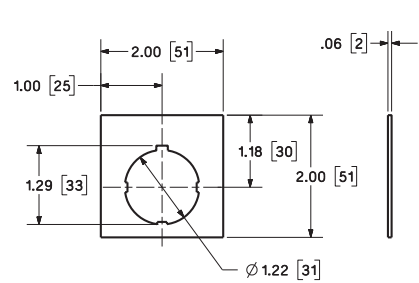
Large Metal Legend Plate



Automotive Metal Legend Plate





Large Plastic Legend Plate



# 30mm Water, Oil Tight & Corrosion Resistant - Class 52

## Class 52 oiltight pushbutton stations


### Selection and ordering data

|                                                                                                                   | Actuator identification<br>C = top device in station<br>B = middle device in station<br>A = bottom device in station | Degree of protection <sup>①</sup> | Contact / voltage     | No. of command points | Order no.      | Pack<br>Unit |
|-------------------------------------------------------------------------------------------------------------------|----------------------------------------------------------------------------------------------------------------------|-----------------------------------|-----------------------|-----------------------|----------------|--------------|
|  <p>1 unit control station</p>   | A = Momentary flush pushbutton black, label "START"                                                                  | NEMA 12                           | 1NO - 1NC             | 1                     | <b>52C101A</b> |              |
|                                                                                                                   | A = Momentary raised pushbutton red, label "STOP"                                                                    | NEMA 12                           | 1NO - 1NC             | 1                     | <b>52C103A</b> |              |
|                                                                                                                   | A = Momentary mushroom head red, label "STOP"                                                                        | NEMA 12                           | 1NO - 1NC             | 1                     | <b>52C104A</b> |              |
|                                                                                                                   | A = Maintained metal mushroom head red, label "EMERGENCY STOP"                                                       | NEMA 12                           | 1NO - 1NC             | 1                     | <b>52C117A</b> |              |
|                                                                                                                   | A = 2 position selector switch "OFF-ON"                                                                              | NEMA 12                           | 1NO - 1NC             | 1                     | <b>52C159A</b> |              |
|                                                                                                                   | A = 3 position selector switch "HAND-OFF-AUTO"                                                                       | NEMA 12                           | 1NO - 1NC             | 1                     | <b>52C156A</b> |              |
|                                                                                                                   | A = Indicator light, red                                                                                             | NEMA 12                           | 120V Transformer type | 1                     | <b>52C131A</b> |              |
|                                                                                                                   | A = Indicator light, green                                                                                           | NEMA 12                           | 120V Transformer type | 1                     | <b>52C135A</b> |              |
|                                                                                                                   | A = Momentary flush pushbutton black, label "START"                                                                  | NEMA 4X Stainless Steel           | 1NO - 1NC             | 1                     | <b>52C101S</b> |              |
|                                                                                                                   | A = Momentary raised pushbutton red, label "STOP"                                                                    | NEMA 4X Stainless Steel           | 1NO - 1NC             | 1                     | <b>52C103S</b> |              |
|                                                                                                                   | A = Momentary mushroom head red, label "STOP"                                                                        | NEMA 4X Stainless Steel           | 1NO - 1NC             | 1                     | <b>52C104S</b> |              |
|                                                                                                                   | A = Maintained plastic mushroom head red, label "EMERGENCY STOP"                                                     | NEMA 4X Stainless Steel           | 1NO - 1NC             | 1                     | <b>52C116S</b> |              |
|                                                                                                                   | A = 2 position selector switch "OFF-ON"                                                                              | NEMA 4X Stainless Steel           | 1NO - 1NC             | 1                     | <b>52C159S</b> |              |
|                                                                                                                   | A = 3 position selector switch "HAND-OFF-AUTO"                                                                       | NEMA 4X Stainless Steel           | 1NO - 1NC             | 1                     | <b>52C156S</b> |              |
|                                                                                                                   | A = Momentary flush pushbutton black, label "START"                                                                  | NEMA 4X Fiberglass                | 1NO - 1NC             | 1                     | <b>52C101X</b> |              |
|                                                                                                                   | A = Momentary raised pushbutton red, label "STOP"                                                                    | NEMA 4X Fiberglass                | 1NO - 1NC             | 1                     | <b>52C103X</b> |              |
|                                                                                                                   | A = Momentary mushroom head red, label "STOP"                                                                        | NEMA 4X Fiberglass                | 1NO - 1NC             | 1                     | <b>52C104X</b> |              |
|                                                                                                                   | A = Maintained plastic mushroom head red, label "EMERGENCY STOP"                                                     | NEMA 4X Fiberglass                | 1NO - 1NC             | 1                     | <b>52C116X</b> |              |
|                                                                                                                   | A = 2 position selector switch "OFF-ON"                                                                              | NEMA 4X Fiberglass                | 1NO - 1NC             | 1                     | <b>52C159X</b> |              |
|                                                                                                                   | A = 3 position selector switch "HAND-OFF-AUTO"                                                                       | NEMA 4X Fiberglass                | 1NO - 1NC             | 1                     | <b>52C156X</b> |              |
|  <p>2 unit control station</p> | B = Momentary flush pushbutton black, label "START"                                                                  | NEMA 12                           | 1NO, 1NC              | 2                     | <b>52C201A</b> |              |
|                                                                                                                   | A = Momentary raised pushbutton red, label "STOP"                                                                    |                                   | 1NO, 1NC              |                       |                |              |
|                                                                                                                   | B = Momentary flush pushbutton black, label "START"                                                                  | NEMA 12                           | 1NO, 1NC              | 2                     | <b>52C202A</b> |              |
|                                                                                                                   | A = Momentary Mushroom head pushbutton red, label "STOP"                                                             |                                   | 1NO, 1NC              |                       |                |              |
|                                                                                                                   | B = Momentary flush pushbutton, label "FORWARD"                                                                      | NEMA 12                           | 1NO, 1NC              | 2                     | <b>52C204A</b> |              |
|                                                                                                                   | A = Momentary flush pushbutton, label "REVERSE"                                                                      |                                   | 1NO, 1NC              |                       |                |              |
|                                                                                                                   | B = Momentary flush pushbutton, label "UP"                                                                           | NEMA 12                           | 1NO, 1NC              | 2                     | <b>52C223A</b> |              |
|                                                                                                                   | A = Momentary flush pushbutton, label "DOWN"                                                                         |                                   | 1NO, 1NC              |                       |                |              |
|                                                                                                                   | B = Indicator light, red, label "RUN"                                                                                | NEMA 12                           | 120V Transformer type | 2                     | <b>52C224A</b> |              |
|                                                                                                                   | A = Maintained selector switch, label "HAND-OFF-AUTO"                                                                |                                   |                       |                       |                |              |
|                                                                                                                   | B = Indicator light, red                                                                                             | NEMA 12                           | 120V Transformer type | 2                     | <b>52C230A</b> |              |
|                                                                                                                   | A = Indicator light, green                                                                                           |                                   |                       |                       |                |              |
|                                                                                                                   | B = Momentary flush pushbutton black, label "START"                                                                  | NEMA 4X Stainless Steel           | 1NO, 1NC              | 2                     | <b>52C201S</b> |              |
|                                                                                                                   | A = Momentary raised pushbutton red, label "STOP"                                                                    |                                   | 1NO, 1NC              |                       |                |              |
|                                                                                                                   | B = Momentary flush pushbutton black, label "START"                                                                  | NEMA 4X Stainless Steel           | 1NO, 1NC              | 2                     | <b>52C202S</b> |              |
|                                                                                                                   | A = Momentary Mushroom head pushbutton red, label "STOP"                                                             |                                   | 1NO, 1NC              |                       |                |              |
|                                                                                                                   | B = Momentary flush pushbutton, label "UP"                                                                           | NEMA 4X Stainless Steel           | 1NO, 1NC              | 2                     | <b>52C223S</b> |              |
|                                                                                                                   | A = Momentary flush pushbutton, label "DOWN"                                                                         |                                   | 1NO, 1NC              |                       |                |              |
|                                                                                                                   | B = Indicator light, red, label "RUN"                                                                                | NEMA 4X Stainless Steel           | 120V Transformer type | 2                     | <b>52C224S</b> |              |
|                                                                                                                   | A = Maintained selector switch, label "HAND-OFF-AUTO"                                                                |                                   | 1NO, 1NC              |                       |                |              |
| B = Momentary flush pushbutton black, label "START"                                                               | NEMA 4X Fiberglass                                                                                                   | 1NO, 1NC                          | 2                     | <b>52C201X</b>        |                |              |
| A = Momentary raised pushbutton red, label "STOP"                                                                 |                                                                                                                      | 1NO, 1NC                          |                       |                       |                |              |
| B = Momentary flush pushbutton black, label "START"                                                               | NEMA 4X Fiberglass                                                                                                   | 1NO, 1NC                          | 2                     | <b>52C202X</b>        |                |              |
| A = Momentary Mushroom head pushbutton red, label "STOP"                                                          |                                                                                                                      | 1NO, 1NC                          |                       |                       |                |              |
| B = Momentary flush pushbutton, label "UP"                                                                        | NEMA 4X Fiberglass                                                                                                   | 1NO, 1NC                          | 2                     | <b>52C223X</b>        |                |              |
| A = Momentary flush pushbutton, label "DOWN"                                                                      |                                                                                                                      | 1NO, 1NC                          |                       |                       |                |              |
| B = Indicator light, red, label "RUN"                                                                             | NEMA 4X Fiberglass                                                                                                   | 120V Transformer type             | 2                     | <b>52C224X</b>        |                |              |
| A = Maintained selector switch, label "HAND-OFF-AUTO"                                                             |                                                                                                                      | 1NO, 1NC                          |                       |                       |                |              |

① NEMA 4X Stainless Steel Enclosure is 304 SS.



### Selection and ordering data

| Actuator identification                                                                                                                                             | Degree of protection <sup>①</sup>                                                                                                                                   | Contact / voltage                | No. of command points            | Order no.      | Pack Unit      |  |
|---------------------------------------------------------------------------------------------------------------------------------------------------------------------|---------------------------------------------------------------------------------------------------------------------------------------------------------------------|----------------------------------|----------------------------------|----------------|----------------|--|
| 3 unit control station<br>                                                         | C = Indicator light, red                                                                                                                                            | NEMA 12                          | 120V<br>1NO, 1NC                 | 3              | <b>52C307A</b> |  |
|                                                                                                                                                                     | B = Momentary flush pushbutton black, label "START"<br>A = Momentary raised pushbutton red, label "STOP"                                                            |                                  | 1NO, 1NC<br>1NO, 1NC             |                |                |  |
|                                                                                                                                                                     | C = Momentary flush pushbutton black, label "FORWARD"<br>B = Momentary flush pushbutton black, label "REVERSE"<br>A = Momentary raised pushbutton red, label "STOP" | NEMA 12                          | 1NO, 1NC<br>1NO, 1NC<br>1NO, 1NC | 3              | <b>52C301A</b> |  |
| C = Momentary flush pushbutton black, label "UP"<br>B = Momentary flush pushbutton black, label "DOWN"<br>A = Momentary raised pushbutton red, label "STOP"         | NEMA 12                                                                                                                                                             | 1NO, 1NC<br>1NO, 1NC<br>1NO, 1NC | 3                                | <b>52C332A</b> |                |  |
| C = Momentary flush pushbutton black, label "OPEN"<br>B = Momentary flush pushbutton black, label "CLOSE"<br>A = Momentary raised pushbutton red, label "STOP"      | NEMA 12                                                                                                                                                             | 1NO, 1NC<br>1NO, 1NC<br>1NO, 1NC | 3                                | <b>52C333A</b> |                |  |
| C = Momentary flush pushbutton black, label "HI"<br>B = Momentary flush pushbutton, black label "LOW"<br>A = Momentary raised pushbutton red, label "STOP"          | NEMA 12                                                                                                                                                             | 1NO, 1NC<br>1NO, 1NC<br>1NO, 1NC | 3                                | <b>52C334A</b> |                |  |
| C = Indicator light, red                                                                                                                                            | NEMA 4X Stainless Steel                                                                                                                                             | 120V<br>1NO, 1NC                 | 3                                | <b>52C307S</b> |                |  |
| B = Momentary flush pushbutton black, label "START"<br>A = Momentary raised pushbutton red, label "STOP"                                                            |                                                                                                                                                                     | 1NO, 1NC<br>1NO, 1NC             |                                  |                |                |  |
| C = Momentary flush pushbutton black, label "FORWARD"<br>B = Momentary flush pushbutton black, label "REVERSE"<br>A = Momentary raised pushbutton red, label "STOP" | NEMA 4X Stainless Steel                                                                                                                                             | 1NO, 1NC<br>1NO, 1NC<br>1NO, 1NC | 3                                | <b>52C301S</b> |                |  |
| C = Momentary flush pushbutton black, label "UP"<br>B = Momentary flush pushbutton black, label "DOWN"<br>A = Momentary raised pushbutton red, label "STOP"         | NEMA 4X Stainless Steel                                                                                                                                             | 1NO, 1NC<br>1NO, 1NC<br>1NO, 1NC | 3                                | <b>52C332S</b> |                |  |
| C = Momentary flush pushbutton black, label "OPEN"<br>B = Momentary flush pushbutton black, label "CLOSE"<br>A = Momentary raised pushbutton red, label "STOP"      | NEMA 4X Stainless Steel                                                                                                                                             | 1NO, 1NC<br>1NO, 1NC<br>1NO, 1NC | 3                                | <b>52C333S</b> |                |  |
| C = Momentary flush pushbutton black, label "HI"<br>B = Momentary flush pushbutton, black label "LOW"<br>A = Momentary raised pushbutton red, label "STOP"          | NEMA 4X Stainless Steel                                                                                                                                             | 1NO, 1NC<br>1NO, 1NC<br>1NO, 1NC | 3                                | <b>52C334S</b> |                |  |
| C = Indicator light, red                                                                                                                                            | NEMA 4X Fiberglass                                                                                                                                                  | 120V<br>1NO, 1NC                 | 3                                | <b>52C307X</b> |                |  |
| B = Momentary flush pushbutton black, label "START"<br>A = Momentary raised pushbutton red, label "STOP"                                                            |                                                                                                                                                                     | 1NO, 1NC<br>1NO, 1NC             |                                  |                |                |  |
| C = Momentary flush pushbutton black, label "FORWARD"<br>B = Momentary flush pushbutton black, label "REVERSE"<br>A = Momentary raised pushbutton red, label "STOP" | NEMA 4X Fiberglass                                                                                                                                                  | 1NO, 1NC<br>1NO, 1NC<br>1NO, 1NC | 3                                | <b>52C301X</b> |                |  |
| C = Momentary flush pushbutton black, label "UP"<br>B = Momentary flush pushbutton black, label "DOWN"<br>A = Momentary raised pushbutton red, label "STOP"         | NEMA 4X Fiberglass                                                                                                                                                  | 1NO, 1NC<br>1NO, 1NC<br>1NO, 1NC | 3                                | <b>52C332X</b> |                |  |
| C = Momentary flush pushbutton black, label "OPEN"<br>B = Momentary flush pushbutton black, label "CLOSE"<br>A = Momentary raised pushbutton red, label "STOP"      | NEMA 4X Fiberglass                                                                                                                                                  | 1NO, 1NC<br>1NO, 1NC<br>1NO, 1NC | 3                                | <b>52C333X</b> |                |  |
| C = Momentary flush pushbutton black, label "HI"<br>B = Momentary flush pushbutton, black label "LOW"<br>A = Momentary raised pushbutton red, label "STOP"          | NEMA 4X Fiberglass                                                                                                                                                  | 1NO, 1NC<br>1NO, 1NC<br>1NO, 1NC | 3                                | <b>52C334X</b> |                |  |

① NEMA 4X Stainless Steel Enclosure is 304 SS.



# 30 mm Heavy Duty, Watertight/Oiltight, Class 52

## Legend plates for Class 51 and 52

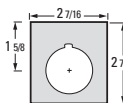
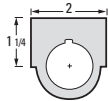
### Design

The 30 mm legend plates are approved for the use with both Class 51 and Class 52 devices. Automotive legend plates require 2 1/2" mounting centers. Plastic legend plates will have white letters engraved.

When ordering custom engraved legend plates, specify the required inscription text.

### Selection and ordering data

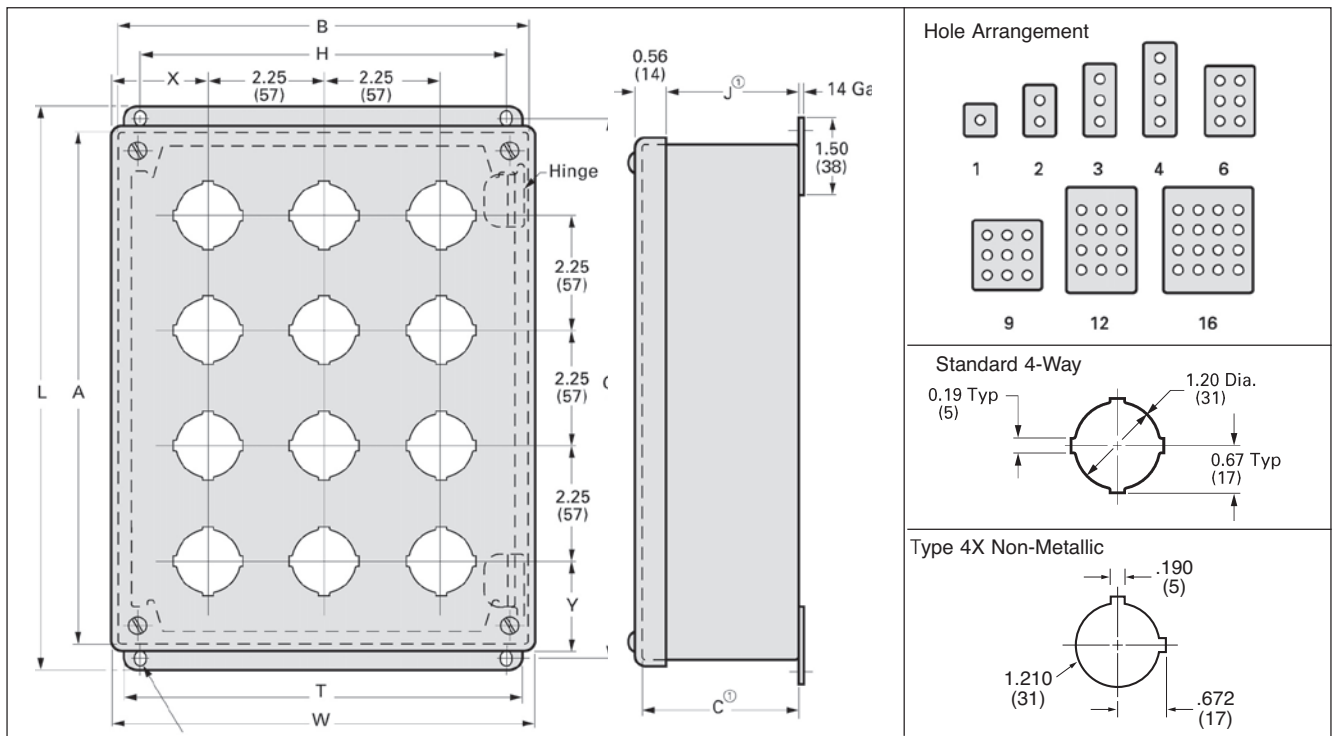
| Inscription                                                           | Large<br>(1 1/4" x 2") | Automotive <sup>①</sup><br>(2 7/16" x 2 7/16") | Large Plastic <sup>②</sup><br>(2 1/16" x 2") | Automotive Plastic <sup>①②</sup><br>(2 7/16" x 2 7/16") |
|-----------------------------------------------------------------------|------------------------|------------------------------------------------|----------------------------------------------|---------------------------------------------------------|
|                                                                       | Order No.              | Order No.                                      | Order No.                                    | Order No.                                               |
| "Blank (brushed aluminum)"                                            | <b>52NL02</b>          | <b>52NA02</b>                                  | —                                            | —                                                       |
| "Blank (red)"                                                         | <b>52NL02R</b>         | <b>52NA02R</b>                                 | <b>52ND02R</b>                               | <b>52NE02R</b>                                          |
| "Blank (Black)"                                                       | <b>52NL02B</b>         | <b>52NA02B</b>                                 | <b>52ND02B</b>                               | <b>52NE02B</b>                                          |
| <b>Inscribed legend plates with large brushed aluminum background</b> |                        |                                                |                                              |                                                         |
| Close                                                                 | <b>52NL18</b>          | <b>52NA18</b>                                  | —                                            | —                                                       |
| Down                                                                  | <b>52NL10</b>          | <b>52NA10</b>                                  | —                                            | —                                                       |
| Emerg Stop                                                            | <b>52NL16</b>          | <b>52NA16</b>                                  | —                                            | —                                                       |
| Emerg Stop (red)                                                      | <b>52NL16R</b>         | <b>52NA16R</b>                                 | —                                            | —                                                       |
| Fast-Slow                                                             | <b>52NL33</b>          | <b>52NA33</b>                                  | —                                            | —                                                       |
| Forward                                                               | <b>52NL05</b>          | <b>52NA05</b>                                  | —                                            | —                                                       |
| For-Off-Rev                                                           | <b>52NL38</b>          | <b>52NA38</b>                                  | —                                            | —                                                       |
| For-Rev                                                               | <b>52NL31</b>          | <b>52NA31</b>                                  | —                                            | —                                                       |
| Hand-Off-Auto                                                         | <b>52NL37</b>          | <b>52NA37</b>                                  | —                                            | —                                                       |
| High                                                                  | <b>52NL07</b>          | <b>52NA07</b>                                  | —                                            | —                                                       |
| High-Low                                                              | <b>52NL30</b>          | <b>52NA30</b>                                  | —                                            | —                                                       |
| High-Off-Low                                                          | <b>52NL44</b>          | <b>52NA44</b>                                  | —                                            | —                                                       |
| In                                                                    | <b>52NL21</b>          | <b>52NA21</b>                                  | —                                            | —                                                       |
| Jog                                                                   | <b>52NL13</b>          | <b>52NA13</b>                                  | —                                            | —                                                       |
| Jog-Forward                                                           | <b>52NL24</b>          | <b>52NA24</b>                                  | —                                            | —                                                       |
| Jog-Reverse                                                           | <b>52NL25</b>          | <b>52NA25</b>                                  | —                                            | —                                                       |
| Low                                                                   | <b>52NL08</b>          | <b>52NA08</b>                                  | —                                            | —                                                       |
| Lower                                                                 | <b>52NL20</b>          | <b>52NA20</b>                                  | —                                            | —                                                       |
| Man-Auto                                                              | <b>52NL35</b>          | <b>52NA35</b>                                  | —                                            | —                                                       |
| Off                                                                   | <b>52NL12</b>          | <b>52NA12</b>                                  | —                                            | —                                                       |
| Off-On                                                                | <b>52NL26</b>          | <b>52NA26</b>                                  | —                                            | —                                                       |
| On                                                                    | <b>52NL11</b>          | <b>52NA11</b>                                  | —                                            | —                                                       |
| On-Off-Auto                                                           | <b>52NL40</b>          | <b>52NA40</b>                                  | —                                            | —                                                       |
| Open                                                                  | <b>52NL17</b>          | <b>52NA17</b>                                  | —                                            | —                                                       |
| Open-Close                                                            | <b>52NL34</b>          | <b>52NA34</b>                                  | —                                            | —                                                       |
| Open-Off-Close                                                        | <b>52NL41</b>          | <b>52NA41</b>                                  | —                                            | —                                                       |
| Out                                                                   | <b>52NL22</b>          | <b>52NA22</b>                                  | —                                            | —                                                       |
| Pull to Start Push to Stop                                            | <b>52NL47</b>          | <b>52NA47</b>                                  | —                                            | —                                                       |
| Raise                                                                 | <b>52NL19</b>          | <b>52NA19</b>                                  | —                                            | —                                                       |
| Raise-Lower                                                           | <b>52NL36</b>          | <b>52NA36</b>                                  | —                                            | —                                                       |
| Reset                                                                 | <b>52NL14</b>          | <b>52NA14</b>                                  | —                                            | —                                                       |
| Reverse                                                               | <b>52NL06</b>          | <b>52NA06</b>                                  | —                                            | —                                                       |
| Run                                                                   | <b>52NL23</b>          | <b>52NA23</b>                                  | —                                            | —                                                       |
| Run-Jog                                                               | <b>52NL29</b>          | <b>52NA29</b>                                  | —                                            | —                                                       |
| Safe-Run                                                              | <b>52NL27</b>          | <b>52NA27</b>                                  | —                                            | —                                                       |
| Slow-Off-Fast                                                         | <b>52NL39</b>          | <b>52NA39</b>                                  | —                                            | —                                                       |
| Start                                                                 | <b>52NL03</b>          | <b>52NA03</b>                                  | —                                            | —                                                       |
| Start-Jog                                                             | <b>52NL28</b>          | <b>52NA28</b>                                  | —                                            | —                                                       |
| Start-Stop                                                            | <b>52NL32</b>          | <b>52NA32</b>                                  | —                                            | —                                                       |
| Stop                                                                  | <b>52NL04</b>          | <b>52NA04</b>                                  | —                                            | —                                                       |
| Stop (red)                                                            | <b>52NL04R</b>         | <b>52NA04R</b>                                 | —                                            | —                                                       |
| Up                                                                    | <b>52NL09</b>          | <b>52NA09</b>                                  | —                                            | —                                                       |
| Up-Down                                                               | <b>52NL49</b>          | <b>52NA49</b>                                  | —                                            | —                                                       |
| Up-Off-Down                                                           | <b>52NL42</b>          | <b>52NA42</b>                                  | —                                            | —                                                       |
| <b>Inscription plates with custom engraving</b>                       |                        |                                                |                                              |                                                         |
| "Custom engraved (brushed aluminum)"                                  | <b>52NL02E</b>         | <b>52NA02E</b>                                 | —                                            | —                                                       |
| "Custom engraved (red)"                                               | <b>52NL02RE</b>        | <b>52NA02RE</b>                                | <b>52ND02RE</b>                              | <b>52NE02RE</b>                                         |
| "Custom engraved (Black)"                                             | <b>52NL02BE</b>        | <b>52NA02BE</b>                                | <b>52ND02BE</b>                              | <b>52NE02BE</b>                                         |
| Max. number of rows                                                   | 2                      | 2                                              | 2                                            | 2                                                       |
| Letter height                                                         | 5/32"                  | 1/4"                                           | 5/32"                                        | 1/4"                                                    |
| Characters per row                                                    | 14                     | 16                                             | 14                                           | 16                                                      |



① Automotive requires 2 1/2" mounting centers  
② White letters on plastic nameplate.

# 30mm Heavy Duty, Watertight/Oiltight, Class 52

## Dimensional drawings



### Type 12/13 and 4X Stainless Steel

| Units            | Enclosure Size |             |           | Mounting    |            | Overall     |             |                         |             |           |           |
|------------------|----------------|-------------|-----------|-------------|------------|-------------|-------------|-------------------------|-------------|-----------|-----------|
|                  | A              | B           | C         | G           | H          | L           | W           | J                       | T           | X         | Y         |
| 1                | 3.50 (89)      | 3.25 (83)   | 2.75 (70) | 4.00 (102)  | 2.38 (60)  | 4.50 (114)  | 3.47 (88)   | 2.31 (59)               | 3.00 (76)   | 1.73 (44) | 1.86 (47) |
| 2                | 5.75 (146)     | 3.25 (83)   | 2.75 (70) | 6.25 (159)  | 2.38 (60)  | 6.75 (171)  | 3.47 (88)   | 2.31 (59)               | 3.00 (76)   | 1.73 (44) | 1.86 (47) |
| 3                | 8.00 (203)     | 3.25 (83)   | 2.75 (70) | 8.50 (216)  | 2.38 (60)  | 9.00 (229)  | 3.47 (88)   | 2.31 (59)               | 3.00 (76)   | 1.73 (44) | 1.86 (47) |
| 4                | 10.25 (260)    | 3.25 (83)   | 2.75 (70) | 10.75 (273) | 2.38 (60)  | 11.25 (286) | 3.47 (88)   | 2.31 (59)               | 3.00 (76)   | 1.73 (44) | 1.86 (47) |
| 6                | 9.50 (241)     | 6.25 (159)  | 3.00 (76) | 10.00 (254) | 5.38 (137) | 10.50 (267) | 6.47 (164)  | 2.56 (65)               | 6.00 (152)  | 2.11 (54) | 2.61 (66) |
| 9                | 9.50 (241)     | 8.50 (216)  | 3.00 (76) | 10.00 (254) | 7.62 (194) | 10.50 (267) | 8.72 (221)  | 2.56 (65)               | 8.25 (210)  | 2.11 (54) | 2.61 (66) |
| 12               | 11.75 (298)    | 8.50 (216)  | 3.00 (76) | 12.25 (311) | 7.62 (194) | 12.75 (324) | 8.72 (221)  | 2.56 (65)               | 8.25 (210)  | 2.11 (54) | 2.61 (66) |
| 16 <sup>2)</sup> | 11.75 (298)    | 10.75 (273) | 3.00 (76) | 12.25 (311) | 9.88 (251) | 12.75 (324) | 10.97 (279) | 2.56 (65) <sup>2)</sup> | 10.50 (267) | 2.11 (54) | 2.61 (66) |

### Type 12/13 Extra Deep Enclosures

| Units            | Enclosure Size |       |      | Mounting |      | Overall |       |      |       |      |      |
|------------------|----------------|-------|------|----------|------|---------|-------|------|-------|------|------|
|                  | A              | B     | C    | G        | H    | L       | W     | J    | T     | X    | Y    |
| 1                | 4.00           | 4.00  | 4.75 | 4.50     | 3.12 | 5.00    | 4.22  | 4.31 | 3.75  | 2.11 | 2.11 |
| 2                | 6.00           | 4.00  | 4.75 | 6.50     | 3.12 | 7.00    | 4.22  | 4.31 | 3.75  | 2.11 | 1.98 |
| 3                | 8.00           | 4.00  | 4.75 | 8.50     | 3.12 | 9.00    | 4.22  | 4.31 | 3.75  | 2.11 | 1.86 |
| 4                | 10.00          | 4.00  | 4.75 | 10.50    | 3.12 | 11.00   | 4.22  | 4.31 | 3.75  | 2.11 | 1.73 |
| 6                | 9.50           | 6.25  | 4.75 | 10.00    | 5.38 | 10.50   | 6.47  | 4.31 | 6.00  | 2.11 | 2.61 |
| 9                | 9.50           | 8.50  | 4.75 | 10.00    | 7.62 | 10.50   | 8.72  | 4.31 | 8.25  | 2.11 | 2.61 |
| 12               | 11.75          | 8.50  | 4.75 | 12.25    | 7.62 | 12.75   | 8.72  | 4.31 | 8.25  | 2.11 | 2.61 |
| 16 <sup>2)</sup> | 11.75          | 10.75 | 4.75 | 12.25    | 9.88 | 12.75   | 10.97 | 4.31 | 10.50 | 2.11 | 2.61 |

### Type 4X Non-Metallic

| Units | Enclosure Size |      | Mounting |      | Overall |       |      |
|-------|----------------|------|----------|------|---------|-------|------|
|       | A              | B    | C        | G    | H       | L     | W    |
| 1     | 6.00           | 3.19 | 3.63     | 4.88 | 2.94    | 6.63  | 3.81 |
| 2     | 6.00           | 3.19 | 3.63     | 4.88 | 2.94    | 6.63  | 3.81 |
| 3     | 8.26           | 3.19 | 3.63     | 7.13 | 2.94    | 8.88  | 3.81 |
| 4     | 10.51          | 3.19 | 3.63     | 9.37 | 2.94    | 11.13 | 3.81 |

All dimensions shown in inches and (millimeters). For reference purposes only. Not to be used for design or construction purposes.

- 1) Grounding stud in body of enclosure.
- 2) For stainless steel add 1.75 (45) to depth.