



BASO Gas Products LLC

G96 Series

Description

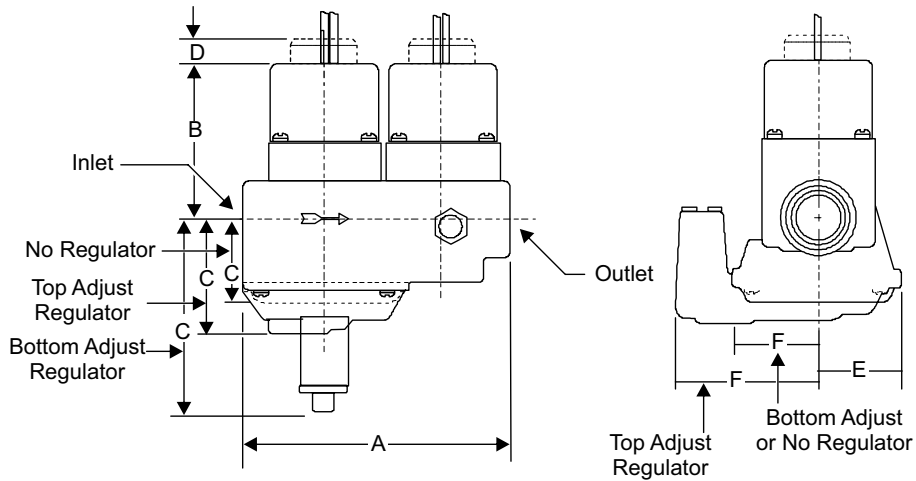
G96 Series combination valves have a dual operator combined with a pressure regulator. Pilot gas is regulated based on the valve regulation setting. Typical applications include heaters, rooftop units, commercial dryers, commercial cooking equipment and similar applications. The G96 can be used with natural gas or LP at pressures up to 0.5 psi and comes with an adjustable regulator. Field-serviceable regulator conversion kits are available to switch from LP to natural gas or natural gas to LP. See page 83. The G96 is available with various cover options.

Specifications

- Rated inlet pressure: 0.5 psi
- Available voltages: 25 VAC, 120 VAC, 240 VAC
- Inlet/Outlet sizes: 1/2, 3/4 NPT
- Pilot/Pressure tap size: 1/8 NPT
- Permissible ambient (surface) temperature: -20° to 175°F (-29° to 79°C)
- Natural gas capacity Btu/hr at 1 in. pressure drop: 190,000

Agency Listing

- CSA (AGA/CGA) Certificate number 229521-1656041
- Australian Gas Association Certificate number 3495 (G96HGA, G96HAA, G96HGC, G96SHA)



G96 Dimensions

G96 Dimensions

Part Number	A		B		C		D		E		F	
	in.	mm	in.	mm	in.	mm	in.	mm	in.	mm	in.	mm
G96 without a Regulator	4.23	107	2.44	62	1.28	33	0.41	10	1.33	34	1.33	34
G96 with Top Adjust Regulator	4.23	107	2.44	62	1.66	42	0.41	10	1.33	34	2.10	53
G96 with Bottom Adjust Regulator	4.23	107	2.44	62	2.48	63	0.41	10	1.33	34	1.33	34

Selection Chart

	Part Number	Inlet and Outlet Female NPT	Voltage (60 Hz)	Pilot Tap NPT	Pressure Tap NPT	Regulator Adjustment Location	Electrical Connection
▲	G96AAQ-4C	1/2 in. x 1/2 in.	120	1/8-27 left	1/8-27 bottom	None	1/4 tab
▲	G96HAA-2C		120	None	1/8-27 left	Top left	1/4 tab
▲	G96HAA-4C		120	1/8-27 left and right	1/8-27 bottom	Top right	30" leads
▲	G96HAA-5C		120	1/8-27 left	None	Top left	1/4 tab
▲	G96HAA-8C		120	1/8-27 left and right	1/8-27 bottom	Top right	1/4 tab
▲	G96HAC-1C		120	1/8-27 left	None	Top left	1/4 tab
▲	G96HGA-1C		25	1/8-27 right	1/8-27 bottom	Top right	30" leads
▲	G96HGA-4C		25	1/8-27 left and right	1/8-27 bottom	Top right	1/4 tab
▲	G96HGA-7C		25	1/8-27 left	1/8-27 bottom	Top left	1/4 tab
▲	G96HGA-17C		25	1/8-27 right	1/8-27 left	Top right	1/4 tab
▲	G96HGA-25C		25	1/8-27 right	1/8-27 left	Top right	1/4 tab
▲	G96HGC-9C		25	1/8-27 left and right	1/8-27 bottom	Top right	1/4 tab
▲	G96HGH-3C		25	1/8-27 right	1/8-27 bottom	Bottom	40" leads
▲	G96HGH-5C		25	1/8-27 left	1/8-27 bottom	Bottom	18" leads
▲	G96HGK-1C		25	1/8-27 left	1/8-27 bottom	Bottom	18" leads
	G96JGA-2C	1/2 in. x 3/4 in.	25	1/8-27 left and right	1/8-27 bottom	Top left	1/4 tab

▲ means bulk pack is available upon request.

Note: DIN connectors are available; see Accessories section page 79.