



BASO Gas Products LLC

H15 Series Automatic Shut-Off Pilot Gas Valve

Description

H15 Series automatic pilot valves provide safe lighting and complete shut-off of pilot and main burner gas if the flame heating the thermocouple is extinguished. They are designed for standing pilot applications and can be used with natural gas or LP at pressures up to 35 mbar (0.5 psi). Typical applications include commercial cooking equipment, heaters, kilns, dishwashing equipment, industrial ovens and similar applications. Sizes range from 1/4 to 1 NPT and both standard and high temperature models are available. The optional pilot adjust valve allows for pilot flame adjustment.

Specifications

- Maximum working pressure: 35 mbar
- Permissible ambient (surface) temperature standard models:
-34° to 79°C (30° to 175°F)
0° to 149°C (32° to 300°F) H15_B and H15_R models only
- High temperature model allows for use in valve surface temperatures up to 300°F

Agency Listing

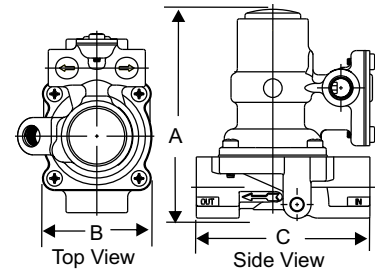
- CE Approval E0485 (models without pilot adjust valve)
- CSA (AGA/CGA) Certificate number 229521-1656080
- UL Recognized File number MH2926 (H15CA and -DA models only)
- Australian Gas Association Certificate number 4236 (models H15AA, -AR, -CA, -CQ, -DA, -DQ, -EQ, -FA, -FQ, -HQ and -HR only)

Dimensions

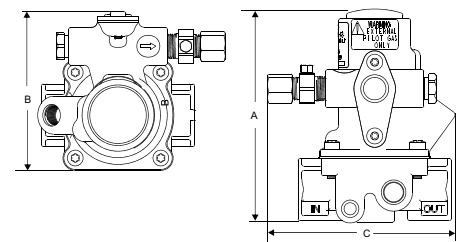
Part Number	A Height		B Width		C Length	
	in.	mm	in.	mm	in.	mm
H15AB-3, -6, -7	3.50	89	2.22	56.4	2.95	75
H15AR-3, -4, -6, -A9, -10	3.50	89	2.25	57	2.95	75
H15CA-1	3.93	100	2.25	57	3.17	80.5
H15CB-2	3.93	100	2.25	57	3.17	80.5
H15CQ-3, -6	3.93	100	2.59	66	3.00	76
H15DA-3, -4	3.93	100	2.25	57	3.17	80.5
H15DB-1	3.93	100	2.25	57	3.17	80.5
H15DQ-2	3.93	100	2.59	66	3.00	76
H15DH-3	3.53	89.8	2.58	65.5	3.1	78.6
H15EQ-3	4.30	109.3	3.00	76	3.50	89
H15FA-1	4.65	118	2.69	68	3.50	89
H15FQ-1	4.65	118	2.69	68	3.50	89
H15HQ-5	3.53	90	2.56	65	2.53	64
H15HR-2, -3, -6	3.53	90	2.56	65	2.53	64
H15QR-4, -5	3.53	90	2.56	65	2.53	64



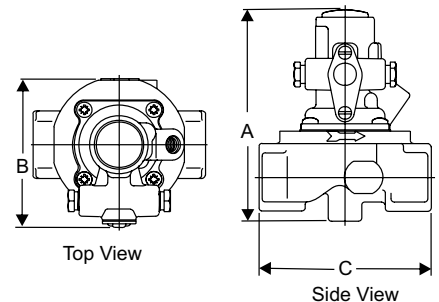
Thermocouple Operated Gas Valves



Internal Pilot Gas Valve



Internal Pilot Gas with Pilot Adjust Valve



External Pilot Gas Valve

Selection Chart

Part Number	Inlet and Outlet Female NPT	Natural Gas Capacity Btu/hr @ 1 in. Pressure Drop	Pilot Tap NPT	Pressure Tap NPT	Pilot Gas Flow/Pilot Adjust Valve	
▲ H15AB-3C	3/8 in. x 3/8 in.	160,000	(2) 1/8-27 over inlet	None	Internal/No	
▲ H15AB-6C		160,000	(2) 1/8-27 left of inlet	None	Internal/No	
▲ H15AB-7C		160,000	(2) 1/8-27 left of inlet	None	Internal/No	
▲ H15AR-3C		163,000	1/8-27 over inlet	None	External/No	
▲ H15AR-4C		163,000	(2) 1/8-27 right of inlet	None	External/No	
▲ H15AR-6C		163,000	1/8-27 left of inlet	None	External/No	
▲ H15AR-A9C		163,000	1/8-27, 3/16 cc right of inlet	None	External/Yes	
▲ H15AR-10C	1/2 in. x 1/2 in.	163,000	(2) 1/8-27 left of inlet	None	External/No	
▲ H15CA-1C		322,000	1/8-27 over inlet	None	Internal/No	
▲ H15CB-2C		322,000	1/4 in. cc right of inlet	None	Internal/No	
▲ H15CQ-3C		322,000	(2) 1/4 in. cc left of inlet	None	External/No	
▲ H15CQ-6C		322,000	(2) 1/4 in. cc right of inlet	1/8-27 left and right	External/No	
▲ *H15DA-3C		3/4 in. x 3/4 in. *packaged with 3/4 to 1/2 in. and 3/4 to 3/8 in. reducer bushings	335,000	1/8-27 over inlet	None	Internal/No
▲ H15DA-4C			335,000	1/8-27 over inlet	1/8-27 left and right	Internal/No
▲ H15DB-1C	335,000		1/8-27 over inlet	None	Internal/No	
▲ *H15DH-3C	335,000		1/4 in. cc over outlet	None	Internal/Yes	
▲ H15DQ-2C	335,000		(2) 1/4 in. cc right of inlet	1/8-27 left and right	External/No	
▲ *H15EQ-3C	480,000		(2) 1/4 in. cc right of inlet	None	External/No	
▲ H15FA-1C	1 in. x 1 in.		610,000	1/8-27 over inlet	None	Internal/No
▲ H15FQ-1C		610,000	(2) 1/4 in. cc right of inlet	None	External/No	
▲ H15HQ-5C	3/8 in. x 3/8 in.	160,000	1/4 in. cc left of inlet	None	External/No	
▲ H15HR-2C		160,000	(2) 3/16 cc left of inlet	None	External/No	
▲ H15HR-3C		160,000	(2) 1/4 in. cc right of inlet	None	External/No	
▲ H15HR-6C		160,000	(2) 1/4 in. cc right of inlet	None	External/No	
▲ H15QR-4C		1/4 in. x 1/4 in.	93,000	(2) 1/8-27 left of inlet	None	External/No

▲ means bulk pack is available upon request.

Note: R23244-3H Red Button Replacement, bulk pack of 4; see page 88.

Optional pilot adjust valve; see page 87.

BASO recommends using only BASO thermocouples that come from the original equipment manufacturer to provide optimum performance for your safety shutoff valve.