



BASO Gas Products LLC

H17 Series Automatic Shut-Off Pilot Gas Valve

Description

H17 Series automatic pilot valves provide safe lighting and complete shut-off if the flame heating the thermocouple is extinguished. They are designed for standing pilot applications and can be used with natural gas or LP at pressures up to 0.5 psi. Pressing and holding the reset button allows gas to flow to the pilot only. Typical applications include room heaters, infrared heaters, stand-alone portable heaters, catalytic heaters, refrigerators and similar applications. Sizes range from 1/8 to 1/2 NPT and both standard and high temperature models are available.



Thermocouple Operated
Gas Valves

Specifications

- Rated inlet pressure: 0.5 psi
- Permissible ambient (surface) temperature:
-40° to 150°F (-40° to 66°C) standard models
-40° to 300°F (-40° to 149°C) high temperature models

Agency Listing

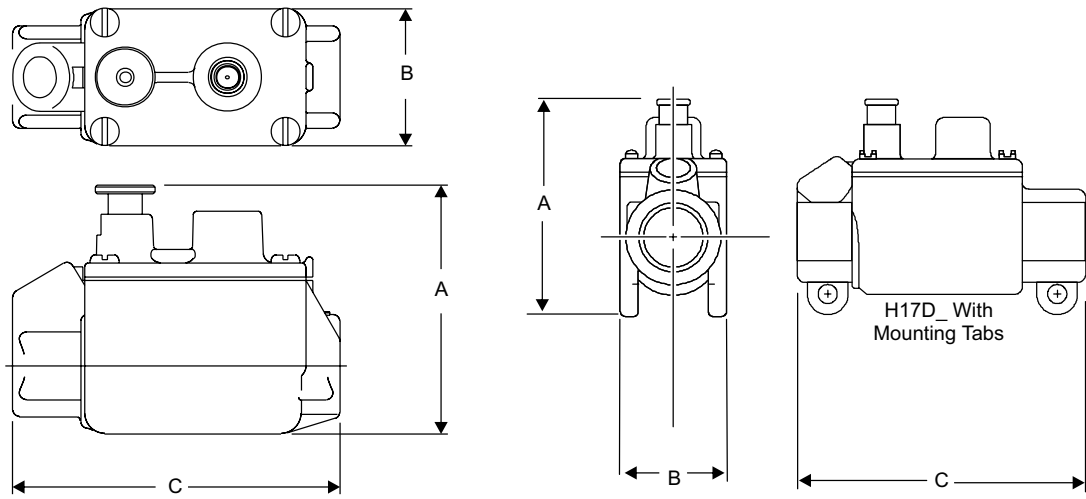
- CSA (AGA/CGA) Certificate number 229521-1656088
- UL Recognized File number MH2926 (H17AA, BA and CA models only)

Selection Chart

Part Number	Inlet and Outlet Female NPT	Natural Gas Capacity Btu/hr at 1 in. Pressure Drop	Pilot Tap NPT	Temperature Range
▲ H17AA-2C	1/8 in. x 1/8 in.	54,000	1/8-27 over outlet	Standard (150°F)
▲ H17AB-2C				High Temperature (300°F)
H17BA-2C	1/4 in. x 1/4 in.	94,000		Standard (150°F)
H17BA-6C				Standard (150°F)
▲ H17BB-1C				High Temperature (300°F)
H17CA-2C				Standard (150°F)
▲ H17CB-3C	3/8 in. x 3/8 in.	133,000		High Temperature (300°F)
▲ H17CB-5C				High Temperature (300°F)
H17DA-4C	1/2 in. x 1/2 in.	165,000		Standard (150°F)
▲ H17DB-5C				High Temperature (300°F)

▲ means bulk pack is available upon request.

BASO recommends using only BASO thermocouples that come from the original equipment manufacturer to provide optimum performance for your safety shutoff valve.



Dimensions

Part Number	A Height		B Width		C Length	
	in.	mm	in.	mm	in.	mm
H17AA-2	2.28	58	1.25	32	3.00	76
H17AB-2	2.28	58	1.25	32	3.00	76
H17BA-2	2.28	58	1.25	32	3.00	76
H17BA-6	2.28	58	1.25	32	3.00	76
H17BB-1	2.28	58	1.25	32	3.00	76
H17CA-2	2.28	58	1.25	32	3.00	76
H17CB-3	2.28	58	1.25	32	3.00	76
H17CB-5	2.28	58	1.25	32	3.00	76
H17DA-4	2.62	67	1.25	32	3.43	87
H17DB-5	2.62	67	1.25	32	3.43	87