



BASO Gas Products LLC

L61 Series BASO® Pilot Switch

Description

L61 Series pilot switches are for use on standing pilot equipment that require main burner shut-off when the pilot flame heating the thermocouple is extinguished. The L61LL-1 can be used with natural gas only at pressures up to 0.5 psi. Typical applications include domestic central heating, commercial space heating appliances, industrial processing equipment, commercial cooking equipment and similar applications.

Specifications

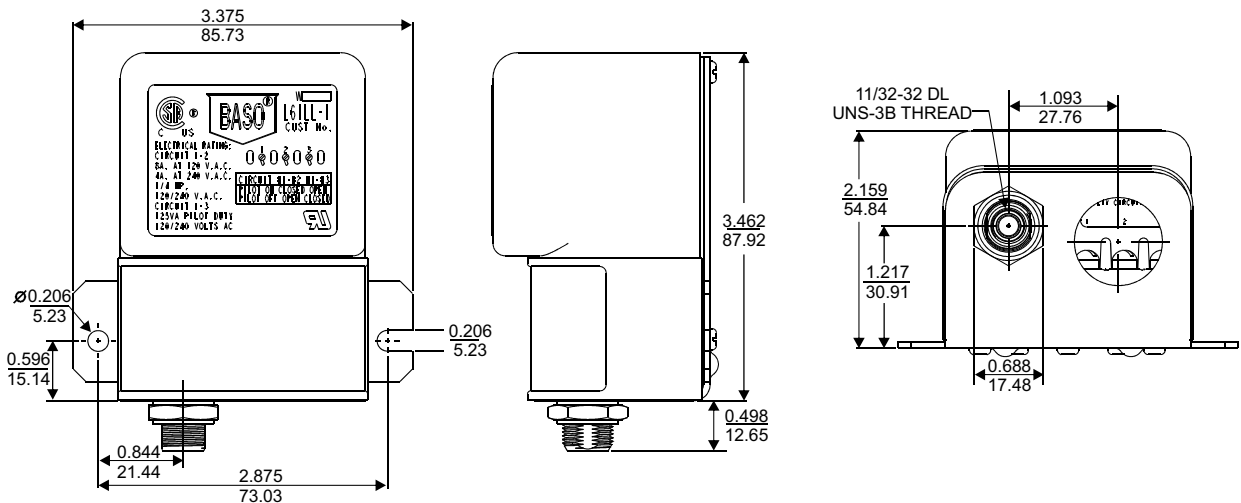
- Permissible ambient (surface) temperature: -40° to 150°F (-40° to 66°C)

Agency Listing

- CSA (AGA/CGA) Certificate number 229521-1656085
- UL Recognized File number MH2926



Thermocouple Operated Gas Valves



L61 Dimensions (in./mm)

Selection Chart

Part Number	Reset	100% Shut-off	Switch Action	Electrical Ratings
▲ L61LL-1C	Automatic	No	SPDT	At normally closed contact-125 VA pilot duty @120/240 VAC. At normally open contact-8 amp, 120 VAC; 4 amp, 240 VAC; 1/4 hp @ 120/240 VAC

▲ means bulk pack is available upon request.

The L61LL-1 is the universal replacement for BASO® 860-1, 861-1, 960-1, 961-1 and L61LL-2 and 3 controls.

BASO recommends using only BASO thermocouples that come from the original equipment manufacturer to provide optimum performance for your safety shutoff valve.