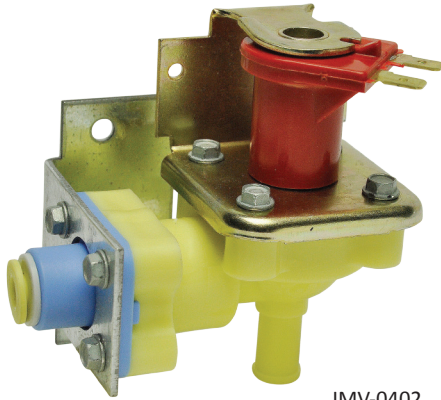




WATER VALVES

Robertshaw®



IMV-0402

SINGLE SOLENOID WATER VALVES

S-53 Series

The Robertshaw® S-53 Water Valve Series is a single solenoid valve for dishwashing machines and commercial icemakers. The S-53 features the design combination of a brass inlet fitting or quick connect fitting and a mounting bracket, which allows direct connection to the supply plumbing without applying torque to the valve body.

Features and Benefits

- Pilot-operated diaphragm provides high flow capacity with minimum power requirements
- Unique diaphragm design reduces unwanted particles from entering the armature area
- Armature is designed with clearances which minimize the possibility of jamming due to foreign materials
- Bodies are made of polypro to withstand a variety of harsh water conditions
- Suitable for applications using water at temperatures up to 160°F (71°C)

Replacement Information

Part Numbers	Replaces	Factory Number
DW-721	GE WD00X721	K-56869-8
IMV-003	Manitowoc 2400003	K-74118-13
IMV-0400	Manitowoc 400	K-76167-8
IMV-0402	Manitowoc 000000402	K-76167-10
IMV-202	Scotsman 12-2922-02	K-74118-28
IMV-373	Manitowoc 373	K-76167-4
IMV-399	Manitowoc 399, Manitowoc 375	K-76167-7
IMV-2201	Scotsman 12-2922-01	K-74118-27

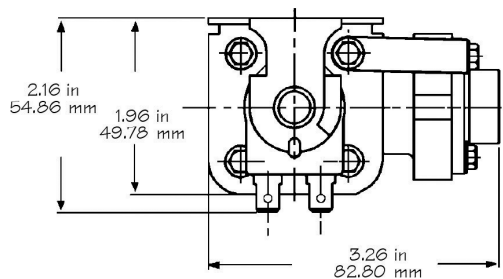
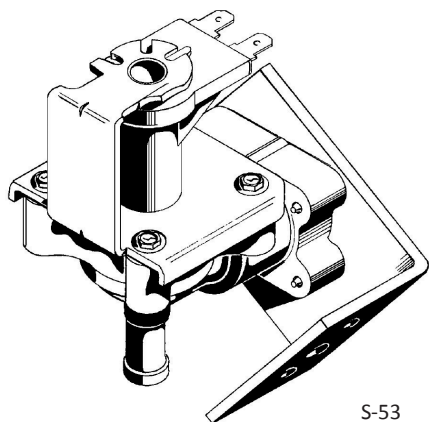
Specification

Part Numbers	Description	Flow Rate	Inlet	Outlet	Operating Pressure	Terminals	Body Material	Electrical Rating	Power
DW-721	Residential Dishwasher Water Valve S-53	1.55 GPM to 2.05 GPM	3/8" 18 FNPT	3/8" ID Hose	20 PSI to 120 PSI	1/4" Male	Polypro	120V AC 60 Hz	10 Watts
IMV-003	Commercial Ice Machine Water Valve S-53	1.7 GPM	3/8" 18 FNPT	3/8" ID Hose	20 PSI to 120 PSI	1/4" Male	Polypro	120V AC 60 Hz	10 Watts
IMV-0400	Commercial Ice Machine Water Valve S-53	0.50 GPM	1/4" quick connect	3/8" ID Hose	20 PSI to 120 PSI	1/4" Male	Polypro	240 V AC 50/60 Hz	10 Watts
IMV-0402	Commercial Ice Machine Water Valve S-53	0.75 GPM to 3.00 GPM	1/4" quick connect	3/8" ID Hose	20 PSI to 120 PSI	1/4" Male	Polypro	240V AC 50/60 Hz	10 Watts
IMV-202	Commercial Ice Machine Water Valve S-53	1.25 GPM	3/8" 18 FNPT	3/8" ID Hose	20 PSI to 120 PSI	1/4" Male	Polypro	230 V AC 50/60 Hz	10 Watts
IMV-373	Commercial Ice Machine Water Valve S-53	1.7 GPM	1/4" quick connect	3/8" ID Hose	20 PSI to 120 PSI	1/4" Male	Polypro	240 V AC 50/60 Hz	10 Watts
IMV-399	Commercial Ice Machine Water Valve S-53	0.50 GPM	1/4" quick connect	3/8" ID Hose	20 PSI to 120 PSI	1/4" Male	Polypro	120V AC 60 Hz	10 Watts
IMV-2201	Commercial Ice Machine Water Valve S-53	1.25 GPM	3/8" 18 FNPT	3/8" ID Hose	20 PSI to 120 PSI	1/4" Male	Polypro	120V AC 50/60 Hz	10 Watts

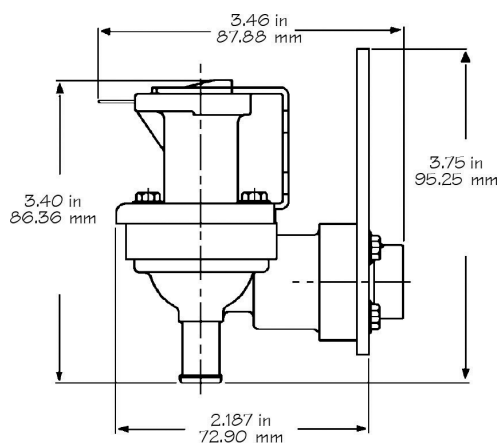
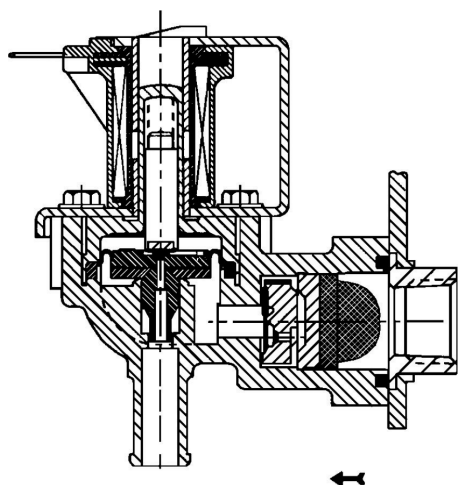




Product Drawings



S-53



Robertshaw[®]

1 Year
Limited
Warranty

