

Replacement Parts

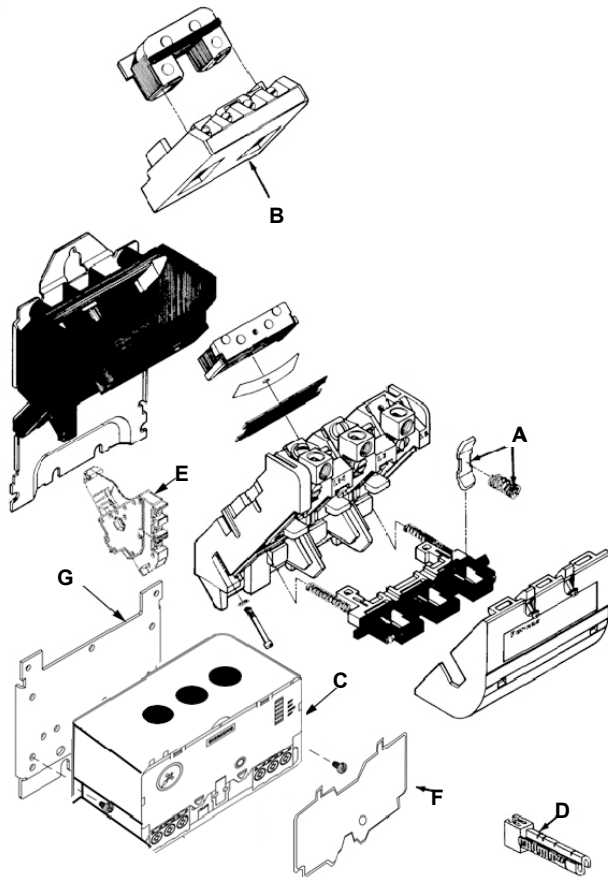
January, 2013


IMPORTANT

THESE INSTRUCTIONS DO NOT PURPORT TO COVER ALL DETAILS OR VARIATIONS IN EQUIPMENT, NOR TO PROVIDE FOR EVERY POSSIBLE CONTINGENCY TO BE MET IN CONNECTION WITH INSTALLATION, OPERATION OR MAINTENANCE. SHOULD FURTHER INFORMATION BE DESIRED OR SHOULD PARTICULAR PROBLEMS ARISE WHICH ARE NOT COVERED SUFFICIENTLY FOR THE PURCHASER'S PURPOSES, THE MATTER SHOULD BE REFERRED TO THE LOCAL SIEMENS SALES OFFICE. THE CONTENTS OF THIS INSTRUCTION MANUAL SHALL NOT BECOME PART OF OR MODIFY ANY PRIOR OR EXISTING AGREEMENT, COMMITMENT OR RELATIONSHIP. THE SALES CONTRACT CONTAINS THE ENTIRE OBLIGATION OF SIEMENS. THE WARRANTY CONTAINED IN THE CONTRACT BETWEEN THE PARTIES IS THE SOLE WARRANTY OF SIEMENS. ANY STATEMENTS CONTAINED HEREIN DO NOT CREATE NEW WARRANTIES OR MODIFY THE EXISTING WARRANTY.

E87010-A0005-T010-A1-14XU

ESP200
Class 14 Starters
Size 2, 2½
14FU, 14GU





WARNING

Hazardous voltage.
Can cause death or serious injury

Disconnect main power and control voltages before installation or maintenance on this equipment.

Item	Part Description	Part Number
A	Contact & Spring, One Complete Pole Power Pole	Size 2 75FP14
		Size 2½ 75GP14
B	Coil	60 Hertz 50 Hertz
		120v 110v
		110-120v/220-240v 110v/190-220v
		220-240v/440-480v 190-220/380-440v
		550-600v 550v
For other voltages specify the number stamped on the coil.		

Item	Part Description	Part Number
C	Solid State Overload Relays (50/60Hz) Plate not included	
D	Reset Extender	49ASRE
E	Auxiliary Contact	NO 49AB10
		NC 49AB01
F	Tamper Resistant Cover	49ASTC1
G	Mounting Plate with (2) Mounting Screws	49ASMP2

NOTE: When ordering replacement parts, give catalog number of control, and part name and number.

(For Engineering Reference Only)