

## Replacement Parts

January, 2013

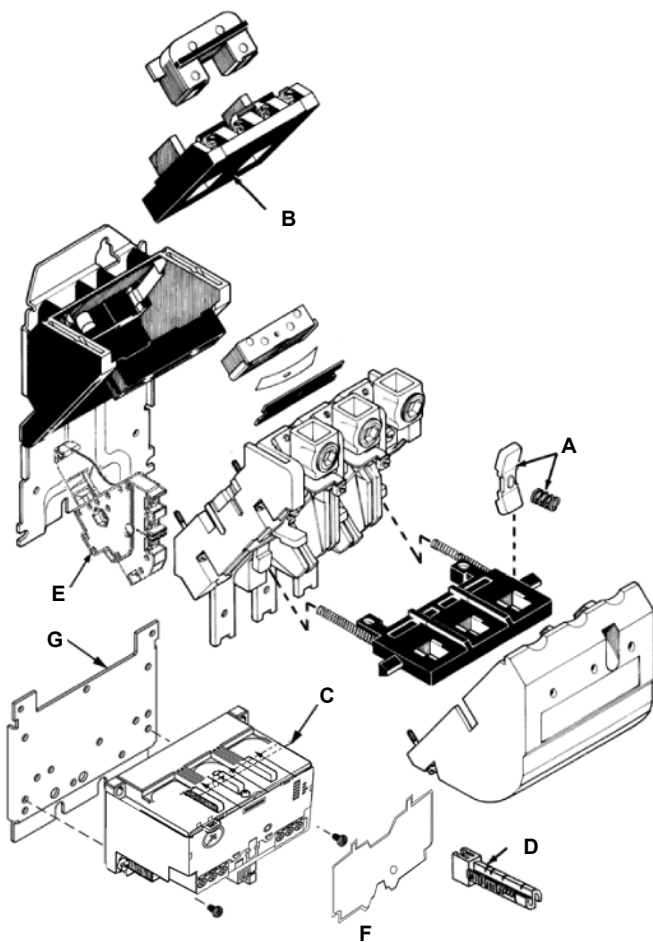
### IMPORTANT

THESE INSTRUCTIONS DO NOT PURPORT TO COVER ALL DETAILS OR VARIATIONS IN EQUIPMENT, NOR TO PROVIDE FOR EVERY POSSIBLE CONTINGENCY TO BE MET IN CONNECTION WITH INSTALLATION, OPERATION OR MAINTENANCE. SHOULD FURTHER INFORMATION BE DESIRED OR SHOULD PARTICULAR PROBLEMS ARISE WHICH ARE NOT COVERED SUFFICIENTLY FOR THE PURCHASER'S PURPOSES, THE MATTER SHOULD BE REFERRED TO THE LOCAL SIEMENS SALES OFFICE.


THE CONTENTS OF THIS INSTRUCTION MANUAL SHALL NOT BECOME PART OF OR MODIFY ANY PRIOR OR EXISTING AGREEMENT, COMMITMENT OR RELATIONSHIP. THE SALES CONTRACT CONTAINS THE ENTIRE OBLIGATION OF SIEMENS. THE WARRANTY CONTAINED IN THE CONTRACT BETWEEN THE PARTIES IS THE SOLE WARRANTY OF SIEMENS. ANY STATEMENTS CONTAINED HEREIN DO NOT CREATE NEW WARRANTIES OR MODIFY THE EXISTING WARRANTY.

E87010-A0009-T010-A1-40JB

ESP200  
Starter  
Size 4  
14JU



For illustration only



**WARNING**

Hazardous voltage.  
Can cause death or serious injury.

Disconnect main power and control voltages before installation or maintenance on this equipment.

Item	Part Description	Part Number
A	Contacts & Spring, One Complete Pole Power Pole Size 4	75JG14
B	Coil <b>60 Hertz</b> <b>50 Hertz</b>	
	120v                                110v	75D70131F
	110-120v/220-240v            110v/190-220v	75D70131A
	220-240v/440-480v           190-220/380-440v	75D70131C
	550-600v                        550v	75D70131E
	For other voltages specify the number stamped on the coil.	

Item	Part Description	Part Number
C	Solid State Overload Relay <u>Current Range</u>	
	50-200 Amps	48JUH3S00
D	Reset Extender	49ASRE
E	Auxiliary Contact, NO	49AB10
	Auxiliary Contact, NC	49AB01
F	Tamper Resistant Cover	49ASTC1
G	Mounting Plate with (2) Mounting Screws	49ASMP3

NOTE: When ordering replacement parts, give catalog number of control, and part name and number.