

BALDOR® • RELIANCE 

Product Information Packet

EHM2515T

20HP, 1765RPM, 3PH, 60HZ, 256T, 3948M, OPSB, F1

Part Detail							
Revision:	D	Status:	PRD/A	Change #:		Proprietary:	No
Type:	AC	Elec. Spec:	39WGX952	CD Diagram:	CD0180	Mfg Plant:	
Mech. Spec:	39R006	Layout:	39LYR006	Poles:	04	Created Date:	06-22-2016
Base:	RG	Eff. Date:	07-05-2019	Leads:	9#10		

Specs			
Catalog Number:	EHM2515T	Insulation Class:	F
Enclosure:	OPSB	Inverter Code:	Inverter Ready
Frame:	256T	KVA Code:	G
Frame Material:	Steel	Lifting Lugs:	Standard Lifting Lugs
Output @ Frequency:	20.000 HP @ 60 HZ	Locked Bearing Indicator:	No Locked Bearing
Synchronous Speed @ Frequency:	1800 RPM @ 60 HZ	Motor Lead Quantity/Wire Size:	9 @ 10 AWG
Voltage @ Frequency:	460.0 V @ 60 HZ	Motor Lead Exit:	Ko Box
	230.0 V @ 60 HZ	Motor Lead Termination:	Flying Leads
XP Class and Group:	None	Motor Type:	3948M
XP Division:	Not Applicable	Mounting Arrangement:	F1
Agency Approvals:	CSA	Power Factor:	85
	UR	Product Family:	General Purpose
Auxillary Box:	No Auxillary Box	Pulley End Bearing Type:	Ball
Auxillary Box Lead Termination:	None	Pulley Face Code:	Standard
Base Indicator:	Rigid	Pulley Shaft Indicator:	Standard
Bearing Grease Type:	Polyrex EM (-20F +300F)	Rodent Screen:	None
Blower:	None	Shaft Extension Location:	Pulley End
Current @ Voltage:	24.000 A @ 460.0 V	Shaft Ground Indicator:	No Shaft Grounding

	48.000 A @ 230.0 V	Shaft Rotation:	Reversible
	52.000 A @ 208.0 V	Shaft Slinger Indicator:	No Slinger
Design Code:	A	Speed Code:	Single Speed
Drip Cover:	No Drip Cover	Motor Standards:	NEMA
Duty Rating:	CONT	Starting Method:	Direct on line
Electrically Isolated Bearing:	Not Electrically Isolated	Thermal Device - Bearing:	None
Feedback Device:	NO FEEDBACK	Thermal Device - Winding:	None
Front Face Code:	Standard	Vibration Sensor Indicator:	No Vibration Sensor
Front Shaft Indicator:	None	Winding Thermal 1:	None
Heater Indicator:	No Heater	Winding Thermal 2:	None

Nameplate NP2094E06B03	
CAT.NO.	EHM2515T
SPEC.	39R006X952G1
HP	20
VOLTS	230/460
AMPS	48/24
RPM	1765
FRAME	256T
	HZ 60
	PH 3
SER.F.	1.15
	CODE G
	DES A
	CL F
NEMA-NOM-EFF	93
	PF 85
RATING	40C AMB-CONT
CC	010A
	USABLE AT 208V 52
DE	6309
	ODE 6208
AUTO	
	MANUAL
	NONE
ENCL	OPSB
	SN
BLANK	

Parts List		
Part Number	Description	Quantity
SA322717	SA 39R006X952G1	1.000 EA
RA310516	RA 39R006X952G1	1.000 EA
HA6361A01	LIFTING LUG FOR 37, 39 & 40 FRAME ZINC	2.000 EA
39CB4000A01	CONDUIT BOX 39, STAMPED	1.000 EA
19XW2520A08	SCREW,1/4-20X1/2 TAPTITE-II OR ROLOC 91	2.000 EA
HW1001A25	LOCKWASHER 1/4, ZINC PLT .493 OD, .255 I	2.000 EA
WD1000B16	T&B CX70TN TERMINAL	1.000 EA
39EP3200A01SP	FR/PU ENDPLATE, MACH	1.000 EA
HW4500A20	1/8NPT SL PIPE PLUG	2.000 EA
HW5100A08	W3118-035 WVY WSHR (WB)	1.000 EA
39EP3201A23	PU ENDPLATE, MACH W/AEGIS SH RING MTG	1.000 EA
HW4500A20	1/8NPT SL PIPE PLUG	2.000 EA
84XN0540J08	5-40 X 1/2" SHCS, BLACK OXIDE	3.000 EA
XY3816A12	3/8-16 FINISHED NUT	8.000 EA
39CB4500A01	CONDUIT BOX LID 39, STAMPED, W/ PRIMER	1.000 EA
51XF1032A08	10/32X1/2 HXWSHR HD, SL, TYPE F ,SERATED	2.000 EA
HW2501G25	KEY, 3/8 SQ X 2.875	1.000 EA
39AD2002A01	BAFFLE PLATE 39 OPEN, SLOTTED BAND MTRS	1.000 EA
MJ1000A02	GREASE, MOBIL POLYREX EM - 124047	0.030 LB
39AD2002A01	BAFFLE PLATE 39 OPEN, SLOTTED BAND MTRS	1.000 EA
HA3154A03	STUD, 3/8-16 X 17.75	4.000 EA
MG1000G27	MED CHARCOAL METALLIC GREY 400-0096	0.050 GA
LC0181	CONNECTION LABEL	1.000 EA
NP2094E06B03	NP LABEL W/BARCODE (PREM EFF HVAC MTR)	1.000 EA

Parts List (continued)		
Part Number	Description	Quantity
39PA1000	PACKAGING GROUP 39 PRINT	1.000 EA

AC Induction Motor Performance Data

Record # 56778 - Typical performance - not guaranteed values

Winding: 39WGX952-R001	Type: 3948M	Enclosure: OPSB
-------------------------------	--------------------	------------------------

Nameplate Data				460 V, 60 Hz: High Voltage Connection	
Rated Output (HP)	20			Full Load Torque	59.7 LB-FT
Volts	230/460			Start Configuration	direct on line
Full Load Amps	48/24			Breakdown Torque	187 LB-FT
R.P.M.	1765			Pull-up Torque	78.1 LB-FT
Hz	60	Phase	3	Locked-rotor Torque	112 LB-FT
NEMA Design Code	A	KVA Code	G	Starting Current	156 A
Service Factor (S.F.)	1.15			No-load Current	8.83 A
NEMA Nom. Eff.	93	Power Factor	85	Line-line Res. @ 25°C	0.48438 Ω
Rating - Duty	40C AMB-CONT			Temp. Rise @ Rated Load	37°C
S.F. Amps				Temp. Rise @ S.F. Load	46°C
				Locked-rotor Power Factor	33.3

Load Characteristics 460 V, 60 Hz, 20 HP

% of Rated Load	25	50	75	100	125	150	S.F.
Power Factor	50	72	81	85	87	87	86
Efficiency	90.2	93.3	93.5	93	92.2	91	92.5
Speed	1792.2	1784.8	1776.1	1767.5	1757.6	1746.3	1762
Line amperes	10.5	14	18.6	23.8	29.4	35.6	27.2

Performance Graph at 460V, 60Hz, 20.0HP Typical performance - Not guaranteed values

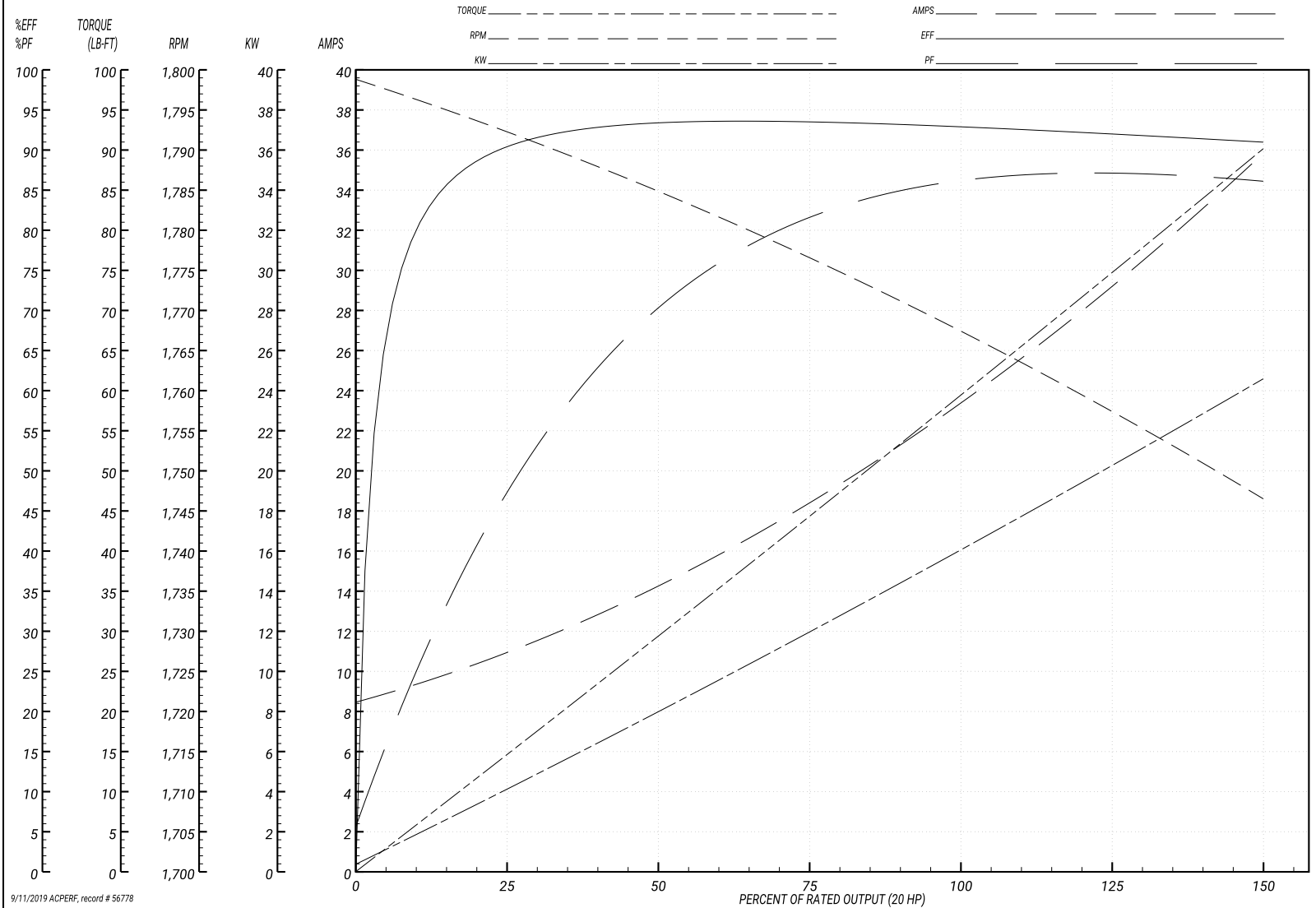
BALDOR ELECTRIC COMPANY

WINDING # 39WGX952

Typical performance - not guaranteed values.

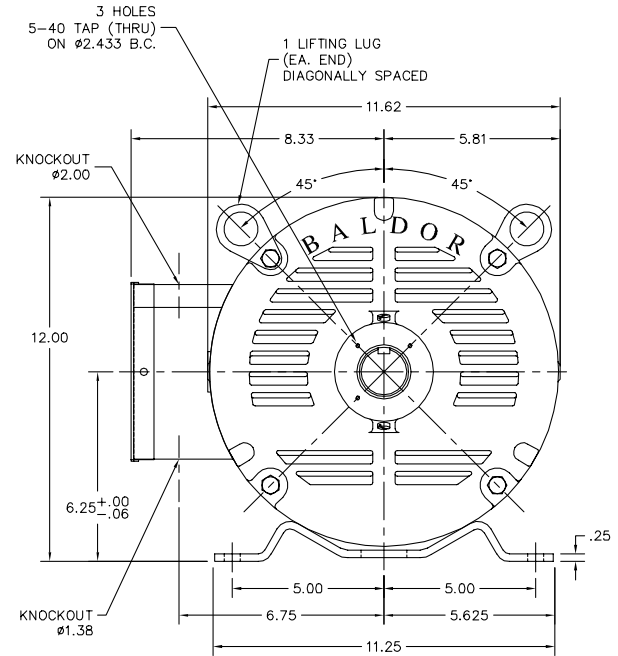
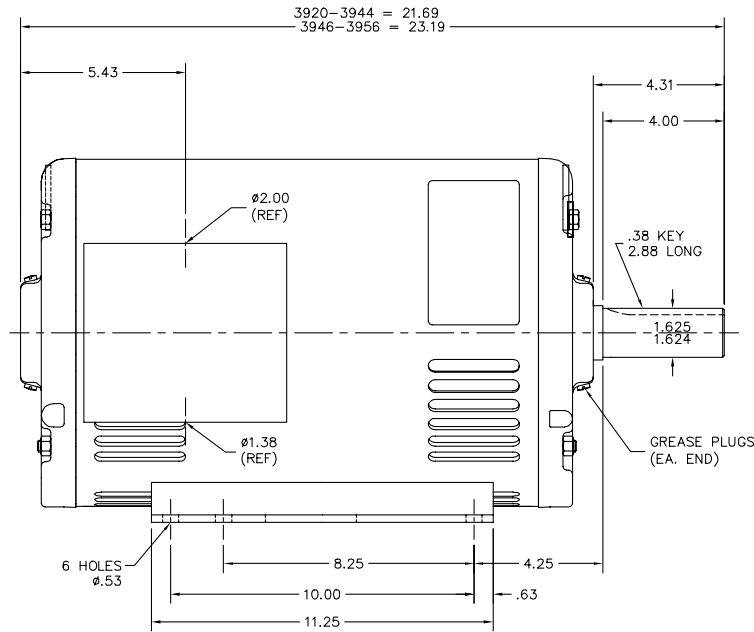
20 HP 3 PH 60 HZ 1765 RPM 460 V 3948M

TORQUES(LB-FT): PO=187 PU=78.1 LR=112 LRA=156



9/11/2019 ACPERF, record # 56778

39LYR006



39LYR006

CUSTOMER IS RESPONSIBLE FOR DETERMINING THAT BALDOR'S PRODUCT WILL PERFORM SUITABLY IN THE INTENDED APPLICATION.

REV. DESC: CHG TO 3 SCREWS TO PLUG SH GRD HOLES IN PUEP		
REV. LTR: D	VERSION: 04	TDR: 000001069077
FILE: \AAA\00081\398	REVISED: 10:11:37 04/25/2018	BY: USODDIL
MTL: -		

BALDOR - RELIANCE®

HORZ OPSB 254-6T W/GREASE PLUGS (HVAC MOTOR) PREMIUM EFF.
SH 1 of 1

CD0180



LOW VOLTAGE
(2D)



HIGH VOLTAGE
(1D)



NOTES:

1. INTERCHANGE ANY TWO LINE LEADS TO REVERSE ROTATION.
2. OPTIONAL THERMOSTATS ARE PROVIDED WHEN SPECIFIED.
3. ACTUAL NUMBER OF INTERNAL PARALLEL CIRCUITS MAY BE A MULTIPLE OF THOSE SHOWN ABOVE.
4. LEAD COLORS ARE OPTIONAL. LEADS MUST ALWAYS BE NUMBERED AS SHOWN.

CD0180

REV. DESC: ADD CLASS CONN00000007		
REV. LTR: D	VERSION: 01	TDR: 000001099922
FILE: \AAA\00005\148	REVISED: 10:25:29 02/19/2019	BY: ENBRIRO
MTL: -	© □	

BALDOR - RELIANCE®

3PH, DV, 9 LEADS, DELTA CONNECTION

SH 1 of 1

Marketing maintained PDF of MN416:

<http://www.baldor.com/support/Literature/Load.ashx/MN416?ManNumber=MN416>