

# OEM Replacement for Specific Manufacturers

Catalog Number	Type	Dia.	HP	Volts	RPM	Speed	Amps	Rotation	Bearing	Enclosure	Cross Reference	Notes	Fig
----------------	------	------	----	-------	-----	-------	------	----------	---------	-----------	-----------------	-------	-----

## DUNHAM BUSH

Application: Commercial Condenser Fan

1326	Polyphase	5.6"	1	200-230/460	1140	1	3.5-3.3/1.7	REV	BALL	OPEN	P55SYTLN1326, MM-2860-305		W
------	-----------	------	---	-------------	------	---	-------------	-----	------	------	---------------------------	--	---

## FIRST

Application: Package Terminal Air Conditioner

1279	PSC	5.0"	1/4	208-230	1625	2	1.4	CCWLE	SAB	OAO	OFC1024, 747, 326P451, K48HXCCA-1279, D258, M10	Double Shaft	X
------	-----	------	-----	---------	------	---	-----	-------	-----	-----	---	--------------	---

## GIBSON

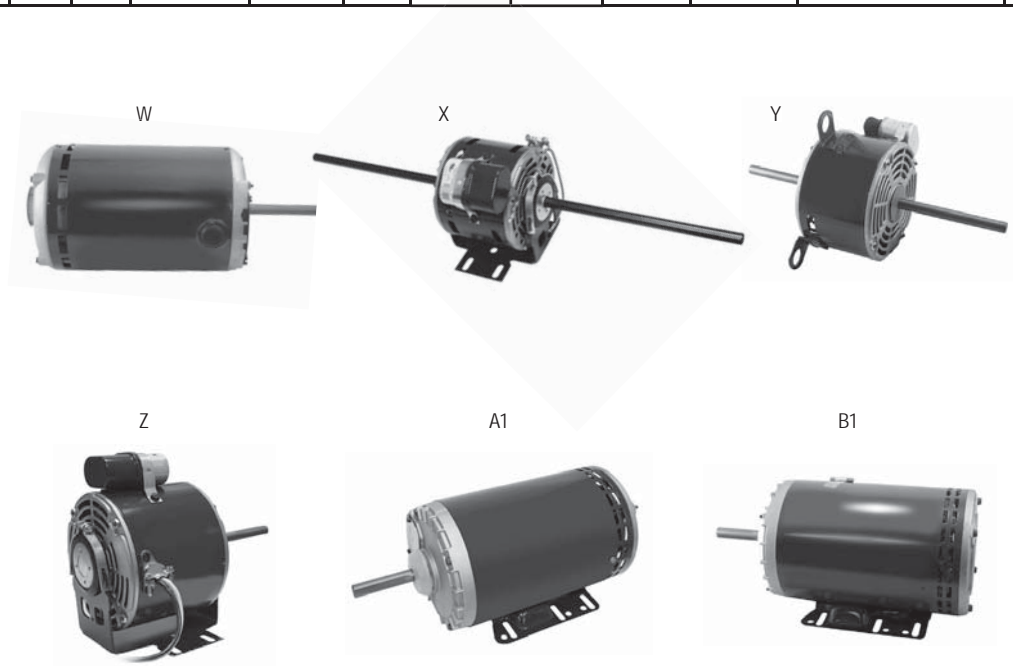
Application: Direct Drive Blower

1152	PSC	5.6"	1/5	230	1075	3	1.4	CCWLE	SAB	ODP	5KCP39DGK136S, 5KCP39DGK013, 5KCP39EG5967	Double Shaft	Y
------	-----	------	-----	-----	------	---	-----	-------	-----	-----	---	--------------	---

## HEATCRAFT

Application: Condenser Fan

6986	PSC	5.6"	1/3	208-230	1075	1	3.5	CWLE	BALL	OAO	7071208, K55HXPZZ7698	50/60 HZ	Z
1139	Polyphase	6.3"	1/2	208-230/460	575	1	3.2-3.1/1.6	REV	BALL	ODP	25316201, 1301007467	Shaft has flat and Keyway	A1
1100	Polyphase	6.3"	1 1/2	208-230/460	830	1	6.6/3.3	REV	BALL	OPEN	25301701, P63SYDTG-3454, 5K49ZN3007S, W56T805515	Shaft has flat and Keyway	B1



† All marks shown within this document are properties of their respective owners.

