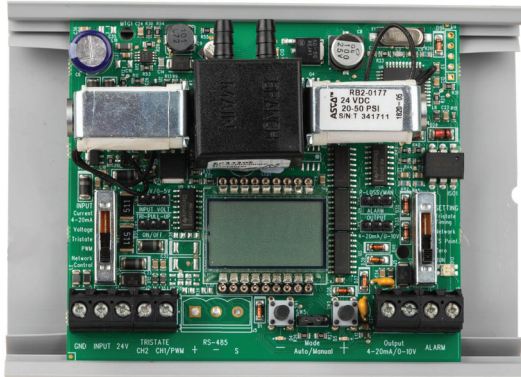


EP3 SERIES

Micro-Controlled with High-Performance, Low-Power Coil Poppet Valve Technology



EP3

ATTENTION
 EP Series transducers are sold as an open device. Observe handling precautions for static sensitive devices to avoid damage to the circuitry which would not be covered under the factory warranty.

The EP3 Series combines a microcontroller with high performance, low power coil poppet valve technology to create a system with unparalleled accuracy and proven reliability. The poppet valves used in the EP3 consume no air, eliminating unnecessary air losses in the system and allowing for efficient, long-term operation. The EP3 permits versatility, since all models feature manual override and a tri-state control option. The LCD provides easy visibility and the LED indicators provide visual status of valve operation in manual or automatic mode. All models come with SnapTrack housing and optional covers are available.

SPECIFICATIONS

GENERAL

Input Power	Class 2; 22 to 30 Vdc/20 to 30 Vac, 47 to 63 Hz, 150 mA max. average, 350 mA peak
Control Input	Class 2; 4 to 20 mA/0-5 V/0-10 Vdc; switch-selectable, Tri-State, PWM
Input Impedance	4 to 20 mA, 250 Ω; 0-5 V/0-10 Vdc, 10 kΩ
Manual Override	Digital pushbutton adjust, jumper-selectable mode
Alarm Contact	100 mA@30 Vac/dc (Pressure loss, manual mode, jumper selectable)
Accuracy	1% FS; combined linearity, hysteresis, repeatability @20 °C (68 °F) ambient
Temperature Coefficient	±0.1%/°C
Operating Temp Range	41 to 140 °F (5 to 60 °C)
Operating Hum. Range	10 to 90% RH non-condensing
SCIM	523 in3/min @ 45 psi; (8570 cm3/min @ 310.3 kPa); 333 in3/min @ 20 psi (5457 cm3/min @ 137.9 kPa)
Supply Pressure	Min (0.1 psi + user F.S. pressure); Max 45 psig

Field-selectable

Field-selectable 4 to 20 mA/ 0-5 V/0-10 Vdc input for application flexibility

Multi-point calibration

3 to 15 psi (5-point calibration) and 0 to 20 psi (6-point calibration)

Quiet operation

Poppet valve technology for quiet operation

Pressure loss alarm

Pressure loss alarm provides a contact closure if the EP3 is unable to achieve the desired output within a fixed length of time

Manual override

Manual override with set and hold feature...great for commissioning leaky systems

Fail-safe vent

Fail-safe vent solenoids bleed branch pressure on power failure for added safety

APPLICATIONS

- Hospitals
- Schools
- Pneumatic dampers/actuators

Control Range	User programmable zero selectable from 0 to 25 psi: Full scale 0 to 25 psi
Pressure Differential	0.1 psig (supply to branch)
Pressure Indication	Electronic, 3-½ digit backlit LCD
Min. Tubing Length	15 feet*
Port Connection	1/8" I.D. poly tubing
Media Connection	Clean, dry air, or inert gas. Do not use with oxygen service

WARRANTY

Limited Warranty 5 years

AGENCY APPROVALS



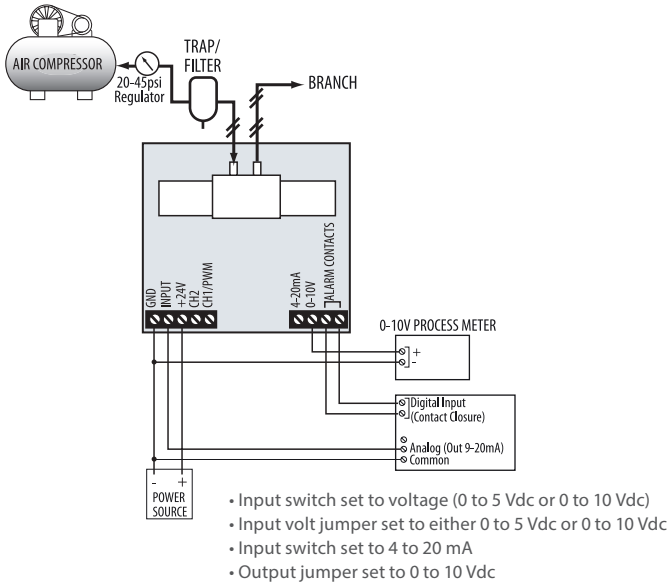
*For shorter tubing runs use the Veris AA45 Pneumatic Capacitor
 EMC Conformance: Low voltage directive 2014/35/EU; EMC directive 2014/30/EU.
 EMC Special Note - CE option: Connect this product to a DC distribution network or an AC/DC power adaptor with proper surge protection (EN 61000-6-1 specification requirements).

**The CE mark applies to models with cover only.

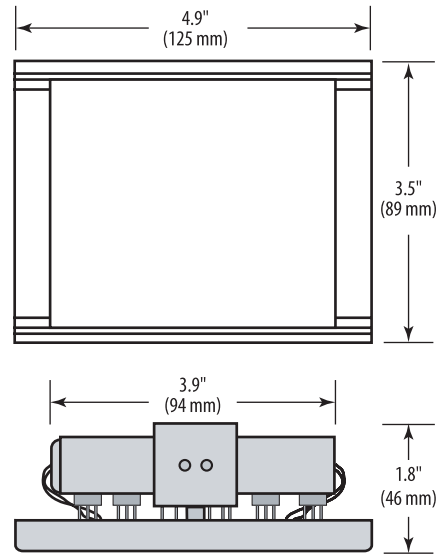


CURRENT/VOLTAGE CONTROL

Wiring Diagrams

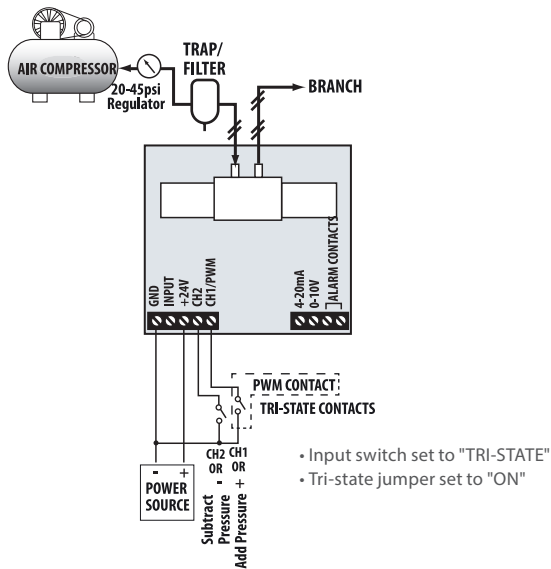


DIMENSIONAL DRAWINGS



TRI-STATE CONTROL

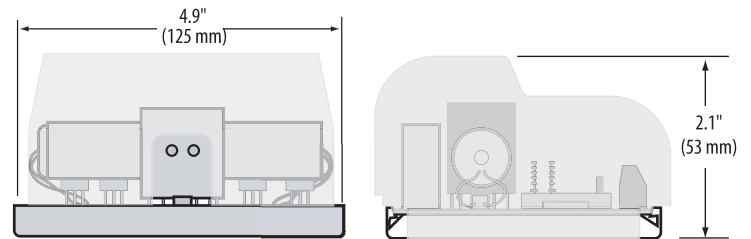
Wiring Diagrams



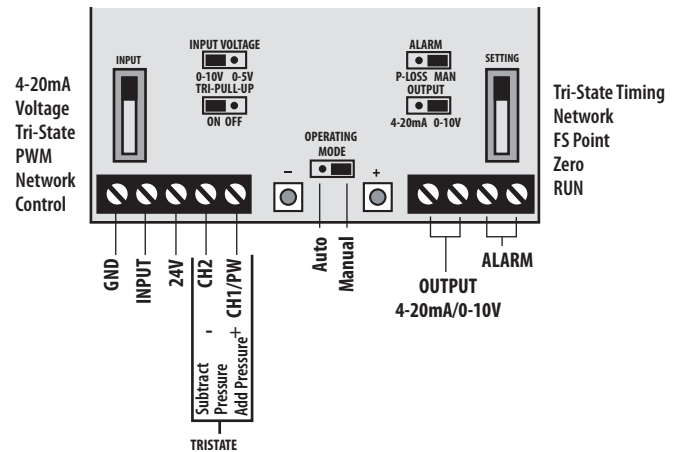
DUST COVER

Dimensional Drawings (Front View)

Side View



CONFIGURATION



ORDERING INFORMATION

Output	Failsafe	Option
EP3 <input type="checkbox"/> 3	<input type="checkbox"/> 5	<input type="checkbox"/>
0 = None 3 = Analog output: 0-10VDC, or 4-20mA, selectable	0 = None 1 = Vent on Power Fail	Blank = None 2 = EP Cover Plate*

*Sold separately as AA43.

Example:
EP3 0 3 0 5 2 Option = Cover Plate

ACCESSORIES

- Dust Cover (AA43)
- Pneumatic Capacitor(AA45)
- Triac adapter (AA49)

