

PRODUCT INFORMATION PACKET



Model No: EM3463
Catalog No: EM3463

PRO-E SERIES® Fan and Blower Motor, 1/2 MAX HP, 1 Ph, 60 Hz, 115 V, 1075 RPM, 4 Speed, 48 Frame,
OPEN



Regal and Century are trademarks of Regal Rexnord Corporation or one of its affiliated companies.
©2022 Regal Rexnord Corporation, All Rights Reserved. MC017097E





Nameplate Specifications

Output HP	1/2 MAX Hp	Output KW	0.37 kW
Frequency	60 Hz	Voltage	115 V
Current	7.0 MAX A	Speed	1075 rpm
Service Factor	1	Phase	1
Duty	Air Over	Insulation Class	B
Frame	48Y	Enclosure	Open Enclosed
Thermal Protection	Automatic	Ambient Temperature	40 °C
UL	Recognized	CSA	Y
CE	N	Number of Speeds	4

Technical Specifications

Electrical Type	Permanent Split Capacitor	Starting Method	Across The Line
Poles	6	Rotation	Reversible
Mounting	Extended Studs	Motor Orientation	Horizontal
Drive End Bearing	Ball	Opp Drive End Bearing	Ball
Frame Material	Rolled Steel	Shaft Type	Flat
Overall Length	10.36 in	Frame Length	4.93 in
Shaft Diameter	0.500 in	Shaft Extension	4.5 in
Connection Drawing	614131-265	Outline Drawing	EM3463_FA

This is an uncontrolled document once printed or downloaded and is subject to change without notice. Date Created:11/29/2022

GENERAL INFORMATION:

SHAFT RUNOUT: .001 [.03] T.I.R. PER INCH LENGTH OF EXTENSION

BEARINGS: BALL

MOUNTING POSITION: HORIZONTAL

ELECTRICAL DATA:

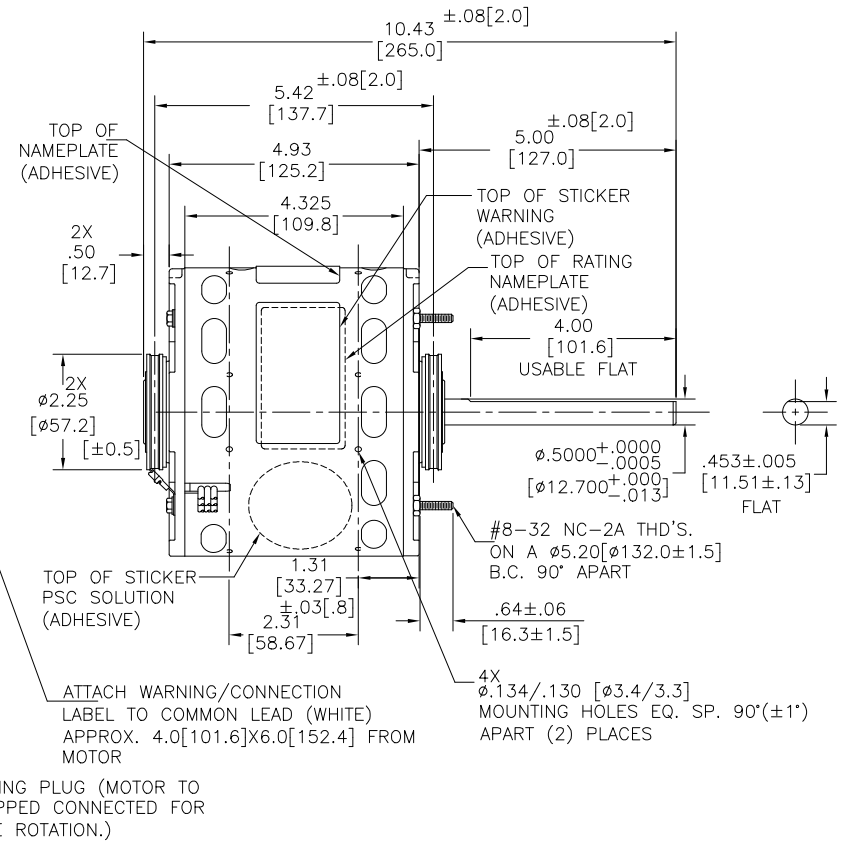
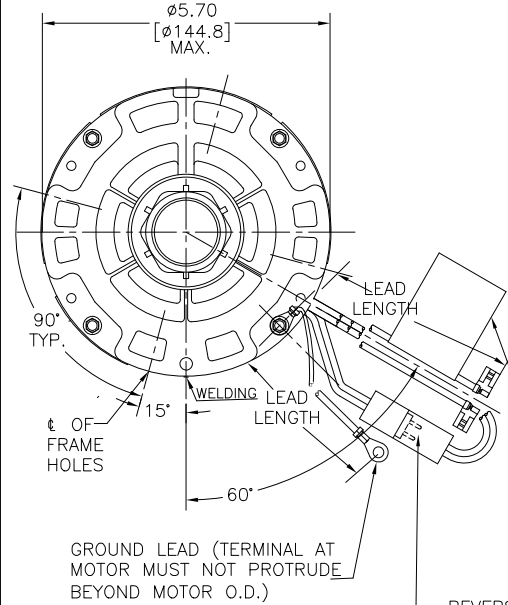
OVERLOAD PROTECTOR: AUTOMATIC RESET (T.I. 7AM 035)

LEADS: NO. 18 GA., .03 [.8] THK. XLP 125°C INSUL.

REVERSING PLUGS: NO. 18 GA., .03 [.8] THK. XLP 125°C INSUL.

GROUND LEAD: NO. 18 GA., .03 [.8] THK. (GREEN) INSUL.

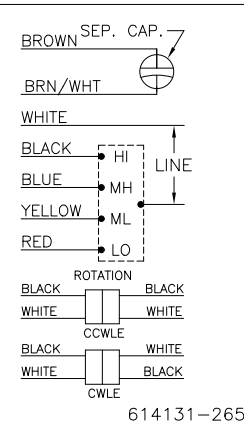
REV. ROT.



SAMPLE PAPER SM19-295 NAMEPLATE DATA:

MODEL NO.: 5KCP39MGDD615S
 CUST. P/N: EM3463
 HP: 1/2 MAX.
 ROT.: REVERSIBLE
 RPM: 1075/4 SPD.
 TYPE: UF
 FRAME: 48Y
 VOLTS: 115
 PH: 1
 AMPS: 7.0 MAX.
 HZ: 60
 INS.: B
 AMB.: 40° C
 DUTY: AIR OVER
 CAP.: 10 MFD/370V
 THERMALLY PROTECTED

EXTERNAL CONNECTION DIAGRAM



COLOR	LENGTH	TERMINAL OR STRIP LENGTH
GREEN (GROUND)	9.0/11.0 [229/279]	.25 [6.4] RING
BLACK/WHITE	3.0/5.0 [76/127]	REVERSING PLUG
BROWN	36.5/39.5 [927/1003]	.25 [6.4] FLAG
BROWN/WHITE	36.5/39.5 [927/1003]	.25 [6.4] FLAG
RED	36.5/39.5 [927/1003]	.25 [6.4] FLAG
YELLOW	36.5/39.5 [927/1003]	.25 [6.4] FLAG
BLUE	36.5/39.5 [927/1003]	.25 [6.4] FLAG
BLACK	36.5/39.5 [927/1003]	.25 [6.4] FLAG
WHITE	36.5/39.5 [927/1003]	.25 [6.4] FLAG
COLOR	LENGTH	TERMINAL OR STRIP LENGTH

- NOTES:
- CENTURY OUTSIDE MOTOR SERIES.
 - 4X SPLIT RING ADAPTOR 615035, 8X SCREWS N194P1504B9 TO BE PUT IN A POLYBAG
 - SPRING SHIM IN OLE SIDE.
 - ALL LABEL READ FROM LE

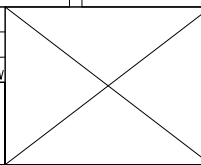
REGAL-BELOIT CORPORATION (RBC) PROVIDES TECHNICAL ASSISTANCE TO OUR CUSTOMERS IN SEVERAL AREAS. SINCE RBC DOES NOT RECEIVE ALL DATA CONCERNING THE USE AND APPLICATION OF THE MOTOR, THE SUITABILITY OF THE MOTOR FOR THE APPLICATION MUST BE DETERMINED BY THE CUSTOMER.

DIMENSIONS WITHOUT TOLERANCES ARE FOR REFERENCE ONLY.

MAIN FRAME - OLE	OPEN
END FRAME - OLE	OPEN
MAIN FRAME - LE	OPEN
END FRAME - LE	OPEN

CUSTOMER CENTURY

DRAWING REVISION	REVISION BY	DATE
E	MG	07.01.2022
ECO	APPROVED BY	DATE
ECR-0212494	LS	07.01.2022
ECO DESCRIPTION		
PSC SOLUTION STICKER ADDED IN MOTOR VIEW		



ENCLOSURE

DRAWN BY: MANOJ
 DATE: 11.12.19
 APPROVED BY: LAXMAN
 DATE: 11.12.19
 REFERENCE

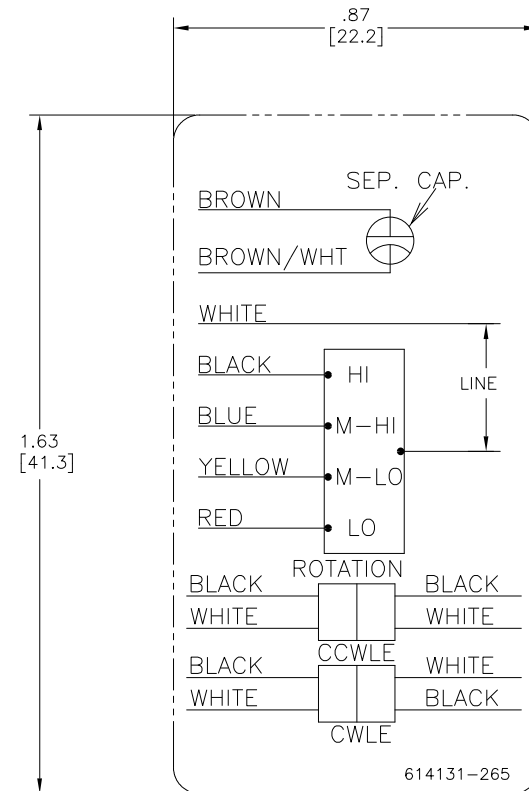
THIRD ANGLE PROJECTION

REGAL Beloit America, Inc.

DESCRIPTION: MODEL-RFHP-48FR OUTLINE

MATERIAL: - PROCESS/FINISH: -

SIZE: C DWG NO: EM3463_FA SHEET: 1



- NOTES:
1. FOR USE WITH 614129 NAMEPLATE BLANK
 2. - - - - - INDICATES DIMENSION LIMITS
 3. DIE TO BE MADE FROM MASTER SUPPLIED BY REGAL
 4. DIE MUST PRODUCE A LEGIBLE IMPRESSION.

DRAWING REVISION G	REVISION BY J. RUPERT	DATE 04-19-2022	TOLERANCES UNLESS OTHERWISE SPECIFIED	DRAWN BY: JZ	Regal Beloit America, Inc.
ECO NMR-0213524	APPROVED BY J. RUPERT	DATE 04-19-2022	DEC. INCH mm ANGLE .X ±0.1 [±2.5] ±0.5° .XX ±0.02 [±0.51] .XXX ±0.005 [±0.127] .XXXX ±0.0005 [±0.0127]	DATE: 03-31-2011	
ECO DESCRIPTION REVISED FOR UP ISSUE			REMOVE BURRS & BREAK SHARP EDGES .003/.015 [0.076/.381] X 45° CORNER FILLETS R.02 [51] MACHINED SURFACES .125/ mm 32/ INCH mm	APPROVED BY: CZ	DESCRIPTION CONN DIAGRAM-NAMEPLATE
<small>COPYRIGHT REGAL BELOIT AMERICA, INC. ALL RIGHTS RESERVED. PROPRIETARY AND CONFIDENTIAL INFORMATION - THIS DOCUMENT IS THE PROPERTY OF REGAL BELOIT AMERICA, INC. (OWNER) AND CONTAINS OWNER'S PROPRIETARY INFORMATION. ANY REPRODUCTION OR OTHER FIRM RECEIVING IT IS DENIED. BY RECEIVING IT, TO AGREE THAT IT, AND/OR ANY PART OF IT, SHALL NOT BE DISCLOSED TO ANY PERSON, CORPORATION OR OTHER ENTITY, DUPLICATED, AND/OR USED, EXCEPT AS EXPRESSLY APPROVED IN WRITING IN ADVANCE BY OWNER. THIS DOCUMENT SHALL BE RETURNED TO OWNER UPON REQUEST. IT MAY BE SUBJECT TO CERTAIN RESTRICTIONS UNDER APPLICABLE EXPORT CONTROL LAWS AND REGULATIONS.</small>			DATE: 03-31-2011	REFERENCE	MATERIAL
			THIRD ANGLE PROJECTION	SIZE DWG NO C 614131-265	PROCESS/FINISH
					SHEET 1