

PRODUCT INFORMATION PACKET



Model No: EM3587
Catalog No: EM3587

PRO-E SERIES® Fan and Blower Motor, 1/2 HP, 1 Ph, 60 Hz, 115 V, 1075 RPM, 3 Speed, 48 Frame, OPEN



Regal and Century are trademarks of Regal Rexnord Corporation or one of its affiliated companies.
©2022 Regal Rexnord Corporation, All Rights Reserved. MC017097E





Nameplate Specifications

Output HP	1/2 Hp	Output KW	0.37 kW
Frequency	60 Hz	Voltage	115 V
Current	7.5-4.5-3.0 A	Speed	1075 rpm
Service Factor	1	Phase	1
Duty	Air Over	Insulation Class	B
Frame	48Y	Enclosure	Open Enclosed
Thermal Protection	Automatic	Ambient Temperature	40 °C
UL	Recognized	CSA	Y
CE	N	Number of Speeds	3

Technical Specifications

Electrical Type	Permanent Split Capacitor	Starting Method	Across The Line
Poles	6	Rotation	Reversible
Mounting	Extended Studs	Motor Orientation	Horizontal
Drive End Bearing	Ball	Opp Drive End Bearing	Ball
Frame Material	Rolled Steel	Shaft Type	Flat
Overall Length	9.86 in	Frame Length	4.99 in
Shaft Diameter	0.500 in	Shaft Extension	4.0 in
Outline Drawing	EM3587_FA		

This is an uncontrolled document once printed or downloaded and is subject to change without notice. Date Created:11/29/2022

GENERAL INFORMATION:

SHAFT RUNOUT: .001 [.03] T.I.R. PER INCH LENGTH OF EXTENSION

BEARINGS: BALL

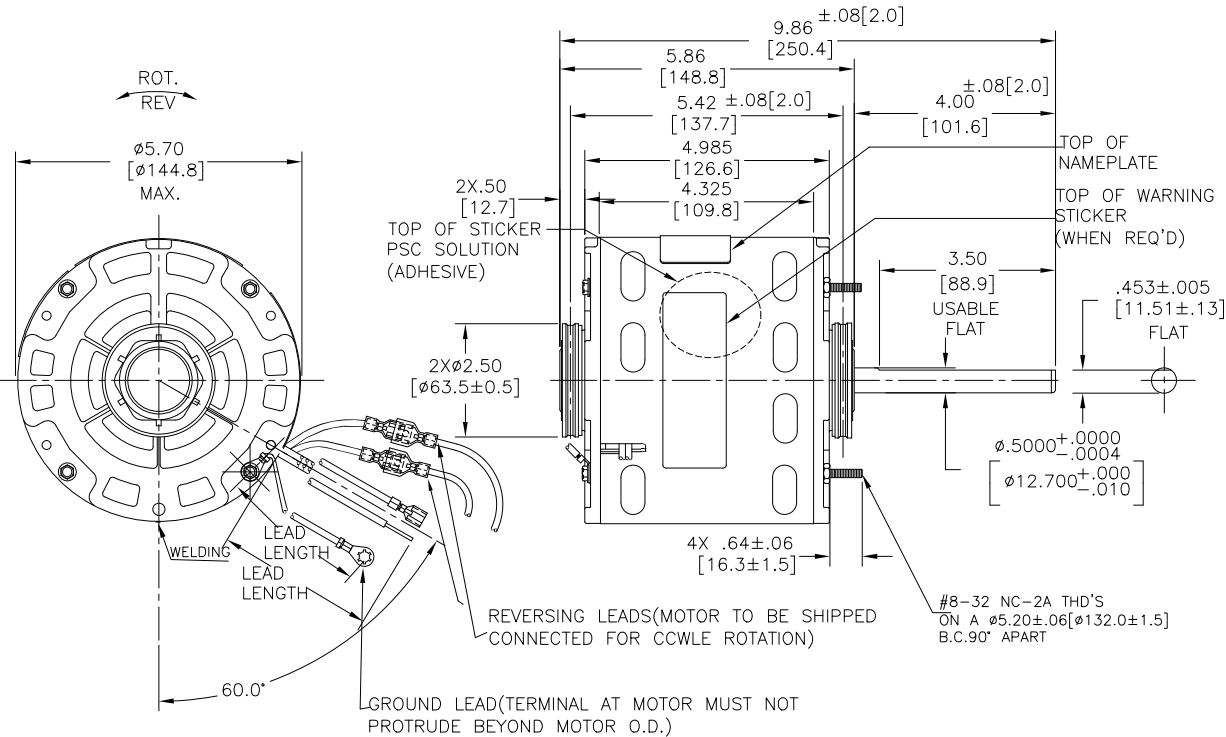
MOUNTING POSITION: HORIZONTAL

ELECTRICAL DATA:

OVERLOAD PROTECTOR: AUTOMATIC RESET (T.I. 7AM 036)

LEADS: NO. 18 GA., .03 [.8] THK.,XLP 125°C INSUL.

GROUND LEADS: NO. 18 GA., .03 [.8] THK.,(GREEN)INSUL.



SAMPLE PAPER SM19-184A NAMEPLATE DATA:	EXTERNAL CONNECTION DIAGRAM
MODEL: 5KCP39MGDD631S CUST. P/N: EM3587 HP: 1/2 ROT: REVERSIBLE RPM: 1075/3 SPD TYPE: UF FRAME: 48Y VOLTS: 115V PH: 1 AMPS: 7.5-4.5-3.0 HZ: 60 INS: B AMB: 40 °C DUTY: AIR OVER CAP.: 10MFD/370V THERMALLY PROTECTED	<p>RED - LO →</p> <p>BLUE - MED. ←</p> <p>BLACK - HI → LINE</p> <p>WHITE →</p> <p>BROWN/W →</p> <p>BROWN →</p> <p>ROTATION AT LEAD END</p> <p>YELLOW CCW PURPLE</p> <p>YELLOW → PURPLE</p> <p>YELLOW CW YELLOW</p> <p>PURPLE → PURPLE</p> <p>63P5519#201</p>
E27885 MADE IN INDIA	

GREEN (GRD)	9.0/11.0 [229/279]	#10 EYELET
PURPLE (REV)	4.0/6.0 [102/152]	.25[6.4] PER-INSUL. MALE TAB
PURPLE (REV)	4.0/6.0 [102/152]	.25[6.4] PER-INSUL. FEMALE SPADE
YELLOW (REV)	4.0/6.0 [102/152]	.25[6.4] PER-INSUL. MALE TAB
YELLOW (REV)	4.0/6.0 [102/152]	.25[6.4] PER-INSUL. FEMALE SPADE
BROWN	25.0/27.0 [635/686]	.25[6.4] FEMALE SPADE
BROWN/WHITE	25.0/27.0 [635/686]	.25[6.4] FEMALE SPADE
WHITE	25.0/27.0 [635/686]	.60[15.2] SKIN
BLACK	25.0/27.0 [635/686]	.60[15.2] SKIN
BLUE	25.0/27.0 [635/686]	.60[15.2] SKIN
RED	25.0/27.0 [635/686]	.60[15.2] SKIN
COLOR	LENGTH	TERMINAL OR STRIP LENGTH

- NOTES:
1. CENTURY OUTSIDE MOTOR SERIES.
 2. SPRING SHIM IN OLE SIDE.
 3. ALL LABEL READ FROM LE

REGAL-BELOIT CORPORATION (RBC) PROVIDES TECHNICAL ASSISTANCE TO OUR CUSTOMERS IN SEVERAL AREAS. SINCE RBC DOES NOT RECEIVE ALL DATA CONCERNING THE USE AND APPLICATION OF THE MOTOR, THE SUITABILITY OF THE MOTOR FOR THE APPLICATION MUST BE DETERMINED BY THE CUSTOMER.

DIMENSIONS WITHOUT TOLERANCES ARE FOR REFERENCE ONLY.

MAIN FRAME - OLE	OPEN
END FRAME - OLE	OPEN
MAIN FRAME - LE	OPEN
END FRAME - LE	OPEN

CUSTOMER	CENTURY
----------	---------

DRAWING REVISION		REVISION BY	DATE
C	MG	07.01.2022	
ECO		APPROVED BY	DATE
ECR-0212494	LS	07.01.2022	
ECO DESCRIPTION			
PSC SOLUTION STICKER ADDED IN MOTOR VIEW			
<small>COPYRIGHT REGAL-BELOIT AMERICA, INC. ALL RIGHTS RESERVED. PROPRIETARY AND CONFIDENTIAL INFORMATION - THIS DOCUMENT IS THE PROPERTY OF REGAL-BELOIT AMERICA, INC. (OWNER) AND CONTAINS OWNER'S PROPRIETARY INFORMATION. ANY PERSON, CORPORATION OR OTHER ENTITY, DUPLICATED, AND/OR USED, BY RECEIVING IT, TO AGREE THAT IT, AND/OR ANY PART OF IT, SHALL NOT BE DISCLOSED TO ANY PERSON, CORPORATION OR OTHER ENTITY, DUPLICATED, AND/OR USED, EXCEPT AS EXPRESSLY APPROVED IN WRITING IN ADVANCE BY OWNER. THIS DOCUMENT SHALL BE RETURNED TO OWNER UPON REQUEST. IT MAY BE SUBJECT TO CERTAIN RESTRICTIONS UNDER APPLICABLE EXPORT CONTROL LAWS AND REGULATIONS.</small>			

DRAWN BY:		REGAL™ Regal Beloit America, Inc.	
MANOJ			
DATE:		DESCRIPTION	
07.11.19		MODEL-RFHP-48FR OUTLINE	
APPROVED BY:		MATERIAL	
LAXMAN		-	
DATE:		PROCESS/FINISH	
07.11.19		-	
REFERENCE		SIZE	
F48AD25A01		DWG NO	
THIRD ANGLE PROJECTION		EM3587_FA	
		SHEET	
		1	