

PRODUCT INFORMATION PACKET



Model No: EM3588
Catalog No: EM3588

PRO-E SERIES® Fan and Blower Motor, 1/2 HP, 1 Ph, 60 Hz, 208-230 V, 1075 RPM, 3 Speed, 48 Frame,
OPEN



Regal and Century are trademarks of Regal Rexnord Corporation or one of its affiliated companies.
©2022 Regal Rexnord Corporation, All Rights Reserved. MC017097E





Nameplate Specifications

Output HP	1/2 Hp	Output KW	0.37 kW
Frequency	60 Hz	Voltage	208-230 V
Current	3.4-2.3-1.6 A	Speed	1075 rpm
Service Factor	1	Phase	1
Duty	Air Over	Insulation Class	B
Frame	48Y	Enclosure	Open Enclosed
Thermal Protection	Automatic	Ambient Temperature	40 °C
UL	Recognized	CSA	Y
CE	N	Number of Speeds	3

Technical Specifications

Electrical Type	Permanent Split Capacitor	Starting Method	Across The Line
Poles	6	Rotation	Reversible
Mounting	Extended Studs	Motor Orientation	Horizontal
Drive End Bearing	Ball	Opp Drive End Bearing	Ball
Frame Material	Rolled Steel	Shaft Type	Flat
Overall Length	9.86 in	Frame Length	4.99 in
Shaft Diameter	0.500 in	Shaft Extension	4.0 in
Outline Drawing	EM3588_FA		

This is an uncontrolled document once printed or downloaded and is subject to change without notice. Date Created:11/29/2022

GENERAL INFORMATION:

SHAFT RUNOUT: .001 [.025] T.I.R. PER INCH LENGTH OF EXTENSION

BEARINGS: BALL

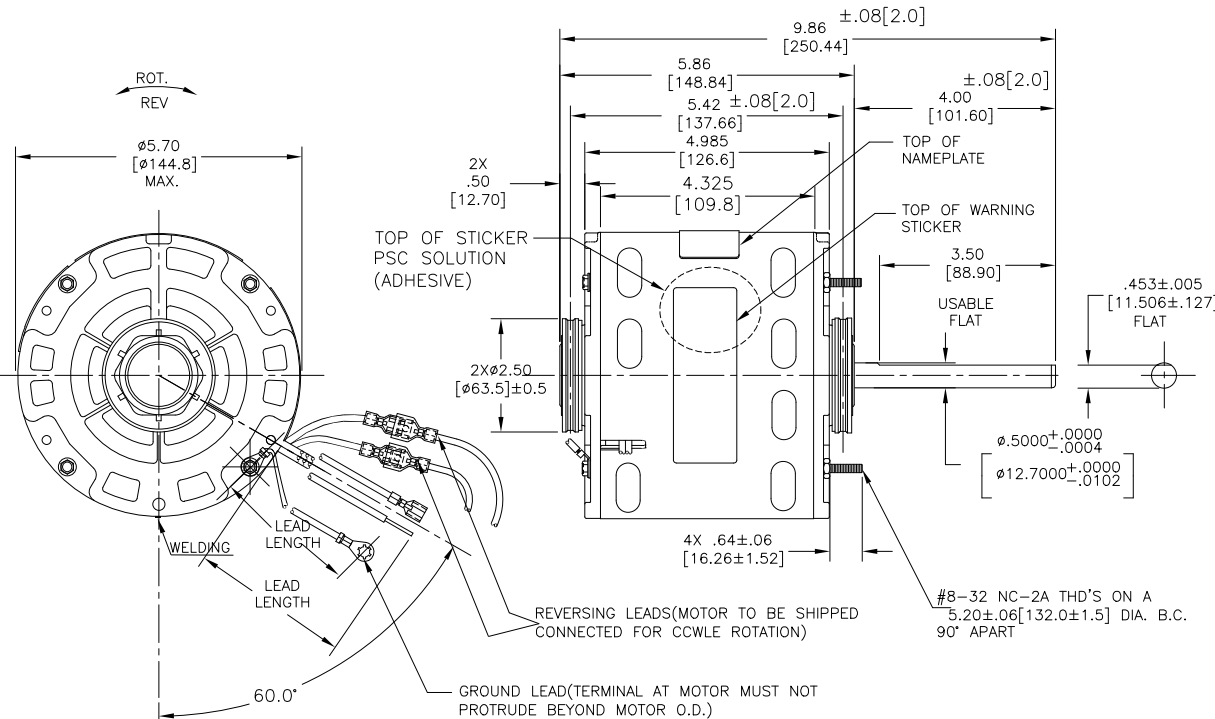
MOUNTING POSITION: HORIZONTAL

ELECTRICAL DATA:

OVERLOAD PROTECTOR: AUTOMATIC RESET (T.I. 7AM 035)

LEADS: NO. 18 GA., .03 [.76] THK., XLP 125°C INSUL.

GROUND LEADS: NO. 18 GA., .03 [.76] THK., (GREEN) INSUL.



- NOTES:
- CENTURY OUTSIDE MOTOR SERIES.
 - SPRING SHIM IN OLE SIDE.
 - ALL LABEL READ FROM LE

REGAL-BELOIT CORPORATION (RBC) PROVIDES TECHNICAL ASSISTANCE TO OUR CUSTOMERS IN SEVERAL AREAS. SINCE RBC DOES NOT RECEIVE ALL DATA CONCERNING THE USE AND APPLICATION OF THE MOTOR, THE SUITABILITY OF THE MOTOR FOR THE APPLICATION MUST BE DETERMINED BY THE CUSTOMER.

DIMENSIONS WITHOUT TOLERANCES ARE FOR REFERENCE ONLY.

MAIN FRAME - OLE	OPEN
END FRAME - OLE	OPEN
MAIN FRAME - LE	OPEN
END FRAME - LE	OPEN

CUSTOMER	CENTURY
----------	---------

GREEN (GRD)	9/11 [229/279]	#10 EYELET
PURPLE (REV)	4/6 [102/152]	.25[6.35] PER-INSUL. MALE TAB
PURPLE (REV)	4/6 [102/152]	.25[6.35] PER-INSUL. FEMALE SPADE
YELLOW (REV)	4/6 [102/152]	.25[6.35] PER-INSUL. MALE TAB
YELLOW (REV)	4/6 [102/152]	.25[6.35] PER-INSUL. FEMALE SPADE
BROWN	25/27 [635/686]	.25[6.35] FEMALE SPADE
BROWN/WHITE	25/27 [635/686]	.25[6.35] FEMALE SPADE
WHITE	25/27 [635/686]	.60[15.24] SKIN
BLACK	25/27 [635/686]	.60[15.24] SKIN
BLUE	25/27 [635/686]	.60[15.24] SKIN
RED	25/27 [635/686]	.60[15.24] SKIN
COLOR	LENGTH	TERMINAL OR STRIP LENGTH

LEAD DATA

DRAWING REVISION	REVISION BY	DATE
C	LS	07.01.2022
ECO	APPROVED BY	DATE
ECR-0212494	LS	07.01.2022
ECO DESCRIPTION		
PSC SOLUTION STICKER ADDED IN MOTOR VIEW		
<small>COPYRIGHT REGAL-BELOIT AMERICA, INC. ALL RIGHTS RESERVED. REGAL-BELOIT AMERICA, INC. (OWNER) AND CENTURY'S PROPRIETARY INFORMATION AND CONFIDENTIAL INFORMATION - THIS DOCUMENT IS THE PROPERTY OF REGAL-BELOIT AMERICA, INC. (OWNER) AND CENTURY'S PROPRIETARY INFORMATION. ANY PERSON, CORPORATION OR OTHER ENTITY, DUPLICATION, AND/OR REUSE, EXCEPT AS EXPRESSLY APPROVED IN WRITING IN ADVANCE BY OWNER, THIS DOCUMENT SHALL BE RETURNED TO OWNER UPON REQUEST. IT MAY BE SUBJECT TO CERTAIN RESTRICTIONS UNDER APPLICABLE EXPORT CONTROL LAWS AND REGULATIONS.</small>		

DRAWN BY:	MANOJ	Regal Beloit America, Inc.
DATE:	07.11.19	
APPROVED BY:	LAXMAN	DESCRIPTION
DATE:	07.11.19	MODEL-RFHP-48FR OUTLINE
REFERENCE:	F48AD13A01	MATERIAL
THIRD ANGLE PROJECTION	SIZE DWG NO	PROCESS/FINISH
	C	EM3588_FA
		SHEET 1

SAMPLE PAPER SM19-259 NAMEPLATE DATA:	EXTERNAL CONNECTION DIAGRAM
MODEL: 5KCP39MGDD636S CUST. P/N: EM3588 HP: 1/2 ROT: REVERSIBLE RPM: 1075/3 SPD TYPE: UF FRAME: 48Y VOLTS: 208-230V PH: 1 AMPS: 3.4-2.3-1.6 HZ: 60 INS: B AMB: 40 °C DUTY: AIR OVER CAP.: 10 MFD/370V THERMALLY PROTECTED E27885 MADE IN INDIA	
63P5519#201	