

H722LC



Hawkeye® 722LC

Solid-Core Current Transducer, 0-5VDC Output

Installer's Specifications

Amperage Range	0-10/20/40 Amps (slide switch selectable)
Sensor Power	Induced from monitored conductor
Insulation Class	600VAC RMS (UL), 300VAC RMS (CE)
Frequency	50/60Hz
Temperature Range	-15° to 60°C (5° to 140°F)
Humidity Range	10-90% RH, non-condensing
Accuracy	±2% FS from 10% - 100% of selected range
Response Time	2 sec.
Terminal Block Maximum Wire Size	14 AWG
Terminal Block Torque (nominal)	4 in-lbs (0.45 N-m)
Agency Approvals	UL 508 open device listing CE: EN61010-1:2001-2, CAT III, deg. 2, basic insulation

DANGER

HAZARD OF ELECTRIC SHOCK, EXPLOSION, OR ARC FLASH

- Follow safe electrical work practices. See NFPA 70E in the USA, or applicable local codes.
- This equipment must only be installed and serviced by qualified electrical personnel.
- Read, understand and follow the instructions before installing this product.
- Turn off all power supplying equipment before working on or inside the equipment.
- Use a properly rated voltage sensing device to confirm power is off.
DO NOT DEPEND ON THIS PRODUCT FOR VOLTAGE INDICATION
- Only install this product on insulated conductors.

Failure to follow these instructions will result in death or serious injury.

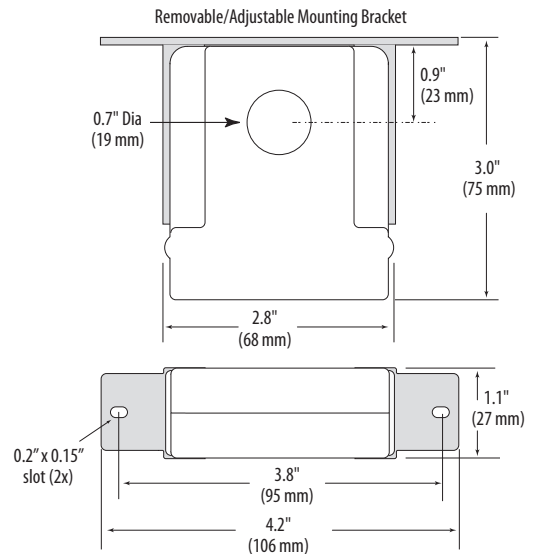
NOTICE

- This product is not intended for life or safety applications.
- Do not install this product in hazardous or classified locations.
- The installer is responsible for conformance to all applicable codes.
- Mount this product inside a suitable fire and electrical enclosure.

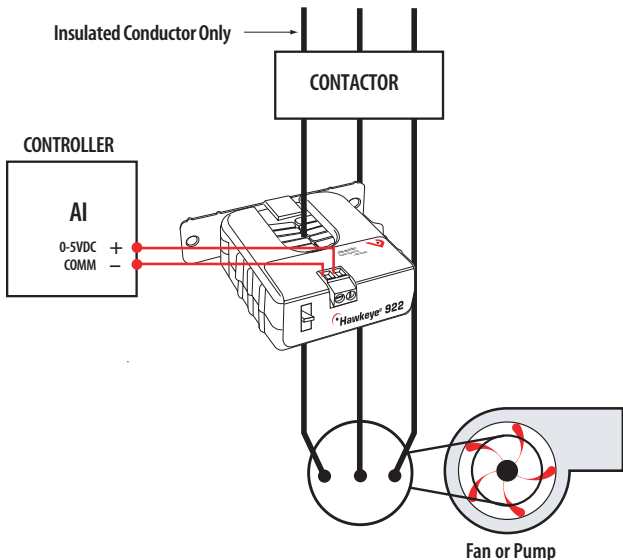
QUICK INSTALL

1. Disconnect and lock out power.
2. Install the mounting bracket to the back of the electrical enclosure, no closer than ½" (12mm) to an uninsulated conductor.
3. Slide the conductor to be monitored through the sensing hole of the current switch. Terminate the conductor. See Notes (page 2) for currents under 1 Amp or above 40 Amp.
4. Set the desired amperage range on the H722LC (10, 20, or 40 Amps).
5. Wire the output connections between the H722LC and the controller (0-5VDC).
6. Reconnect power.
7. Scale the controller software to match the H722LC's output.

DIMENSIONS



WIRING EXAMPLE

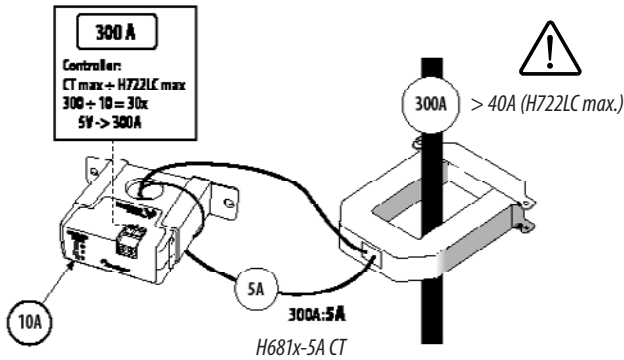


OPERATION

The H722LC is a current transducer that senses current (amperage) in any of three field-selectable ranges: 0-10, 0-20, or 0-40 amperes. These ranges represent the maximum current that can be applied to the monitored conductor. The H722LC transforms the monitored current into a 0-5VDC output suitable for connection to building controllers or other appropriate data acquisition equipment. The H722LC requires no external power to generate its output.

NOTES

For load currents greater than sensor maximum rating:
Use a 5 Amp (H681x series) Current Transformer (CT) as shown.



! DANGER: 5A CTs can present hazardous voltages. Install CTs in accordance with manufacturer's instructions. Terminate the CT secondary before applying current.

CAUTION

RISK OF EQUIPMENT DAMAGE

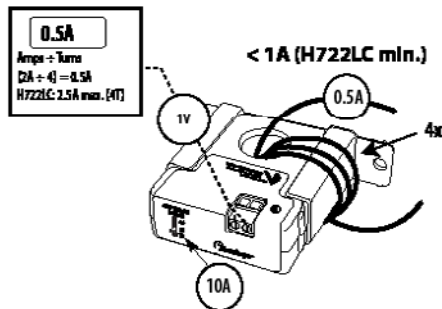
- Derate the product's maximum current for the number of turns through the sensing window using the following formula.

Rated Max. Amps ÷ Number of Turns = Max. monitored Amps
e.g. : 30A ÷ 4 Turns = 7.5 Amps max. in monitored conductor

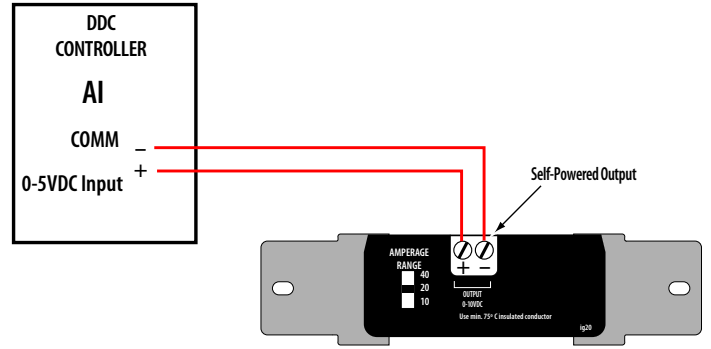
Failure to follow these instructions can result in overheating and permanent equipment damage.

For load currents less than sensor minimum rating:
Wrap the monitored conductor through the center hole and around the sensor body to produce multiple turns through the "window." This increases the current measured by the transducer.

• Controller must be programmed to account for the extra turns. e.g., if four turns pass through the sensor (as shown) the normal controller reading must be divided by 4.

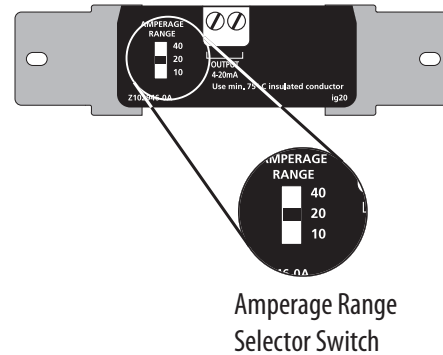


WIRING

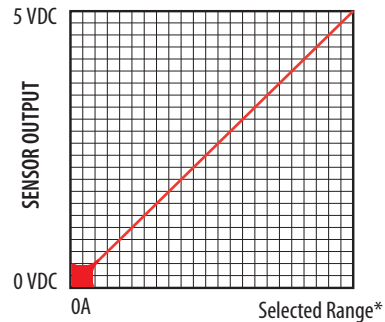


CALIBRATION/SCALING

Set the amperage range selector switch to a level appropriate for your load. The H723LC is available with three choices, 0-10, 0-20, or 0-40 Amps.



Scale the output as shown below.



SENSED AMPS
*Factory calibrated ranges selected with the amperage range switch

TROUBLESHOOTING

Problem	Solution
No Reading at Controller	<ul style="list-style-type: none"> Confirm measured current is within the selected range on the product. Check polarity of sensor output connections.