

H931

Load Trending and Control Relay
in One Package



H931



The Hawkeye 931 provides accurate load trending information with a proportional 4 to 20 mA output signal. These devices offer three amperage ranges for versatility, with easy slide-switch selection. The command relay is fully integrated in the device, but it is isolated from the current transducer. This combination makes these products ideal for start/stop control and status monitoring of motors, using one device instead of two.

SPECIFICATIONS

Sensor Power	30 mA (max.) @ 12 to 30 Vdc
Insulation Class	600 Vac RMS
Frequency Range	50/60 Hz
Temperature Range	-15 to 60 °C (5 to 140 °F)
Humidity Range	10 to 90% RH non-condensing
Accuracy	±2% F.S. from 10% to 100% (selected range)
Response Time	2 sec.
Terminal Block Wire Size	24 to 14 AWG (0.2 to 2.1 mm ²)
Terminal Block Torque	3.5 to 4.4 in-lbs (0.4 to 0.5 N-m)

WARRANTY

Limited Warranty	5 years
------------------	---------

AGENCY APPROVALS

Agency Approvals	UL 508 open device listing, CAT III, Pollution Degree 2, basic insulation
------------------	---



Note: Do not use LED status indicators as evidence of applied voltage

Loop-powered

Loop-powered analog current transducer with integral start/stop command relay

Reduces installation charges

One device to install for start/stop and status

Saves time

Reduces the number of installed components...saves time and space

Fewer wires

Power the current sensor and receive the 4 to 20 mA signal with only two wires

Retrofit

Self-gripping, split-core design for fast retrofit installation...no need to remove conductor

Factory calibrated

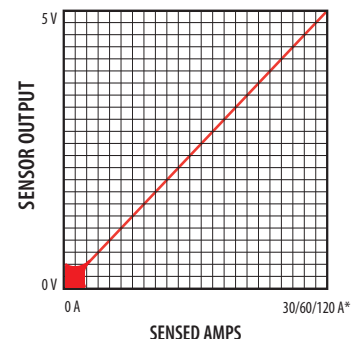
Selectable factory calibrated ranges up to 120 A for increased flexibility and resolution

APPLICATIONS

- Load trending
- Motor control
- Positive proof of flow

EXAMPLE LINEAR OUTPUT

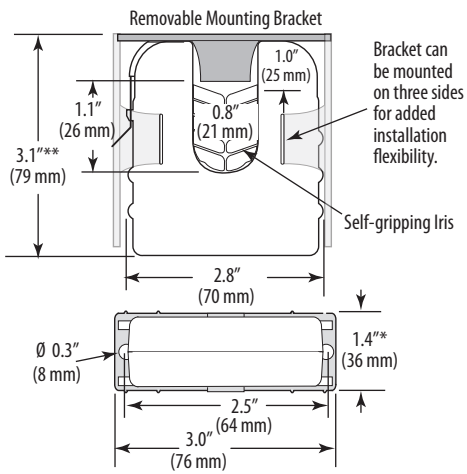
Scale software as shown



*Factory calibrated ranges selected with the amperage range switch



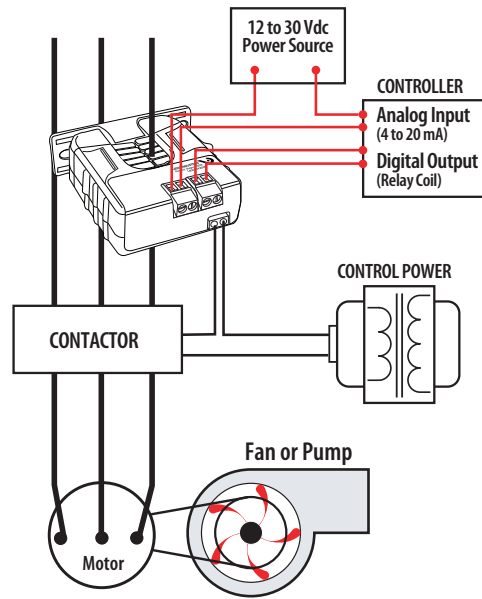
DIMENSIONAL DRAWING



* Terminal block may extend up to 1/8" over the height dimensions shown.
 ** Slide switch may extend up to 1/4" over the height dimensions shown.

TRENDING & CONTROLLING MOTOR LOADS

Wiring Diagram



RELAY CONTACT RATINGS (N.O.)

Resistive	5 A @ 250 Vac, 30 Vdc
	5 A @ 30 Vac, 30 Vdc
Inductive	2 A @ 250 Vac, 30 Vdc
	2 A @ 30 Vac, 30 Vdc

TYPICAL COIL PERFORMANCE

Voltage	AC	DC
24	15	15

ORDERING INFORMATION

MODEL	AMPERAGE RANGE	SENSOR OUTPUT	RELAY TYPE	RELAY COIL	RELAY	RELAY POWER LED	UL
H931	0 to 30/60/120 A	4 to 20 mA	SPST, N.O.	24 Vac/dc	•	•	•