



**Hawkeye™**

# H948

Split-Core Current Switch, Adjustable Output,  
with Command Relay

## Product Overview

The H948 is a current-sensitive switching device with integral command relay that monitors current (amperage) in the conductor passing through it. A change in amperage in the monitored conductor that crosses the switch (setpoint) threshold plus the hysteresis value causes the resistance of the status output to change state, similar to the action of a mechanical switch. The building controller interprets the signal and separately switches the relay. The status output can also be used to switch the relay directly.

In this model, the setpoint is adjustable through the action of a twenty (20) turn potentiometer (see the Calibration section). The status output is suitable for connection to building controllers or other appropriate data acquisition equipment operating at up to 30 volts. The H948 relay requires a 24VAC/24VDC external power supply for operation.

The H948 housing offers unprecedented mounting flexibility. The mounting bracket can be attached in three different places. Additionally, the bracket is compatible with the Veris AH01 DIN Rail clip, allowing DIN mounting.

## Specifications

<b>Sensor Power</b>	Induced from the monitored conductor
<b>Relay Power</b>	24VAC/24VDC external power supply
<b>Amperage Range</b>	2.5 to 135 A continuous
<b>Status Output Ratings</b>	N.O. 1.0 A@30 VAC/DC, not polarity sensitive
<b>Insulation Class</b>	600 VAC RMS (UL)
<b>Setpoint</b>	Adjustable, 2.5 A or less
<b>Frequency Range</b>	50/60 Hz
<b>Temperature Range</b>	-15° to 60°C (5° to 140°F)
<b>Humidity Range</b>	10-90% RH non-condensing
<b>Hysteresis</b>	10% typical
<b>Off State Resistance</b>	Open switch represents >1 MΩ
<b>On State Resistance</b>	Closed switch represents < 200 mΩ
<b>Terminal Block Max. Wire Size</b>	24 to 14 AWG (0.2 to 2.1 mm <sup>2</sup> )
<b>Terminal Block Torque</b>	3.5 to 4.4 in-lbs (0.4 to 0.5 N-m)
<b>COMPLIANCE INFORMATION</b>	
<b>Agency Approvals</b>	UL508 open device listing
<b>Installation Category</b>	Cat. III, pollution degree 2

The product design provides basic insulation only.  
For applications requiring double or reinforced insulation, please contact the factory.  
Do not use the LED indicators as evidence of applied voltage.



### ⚠️ DANGER

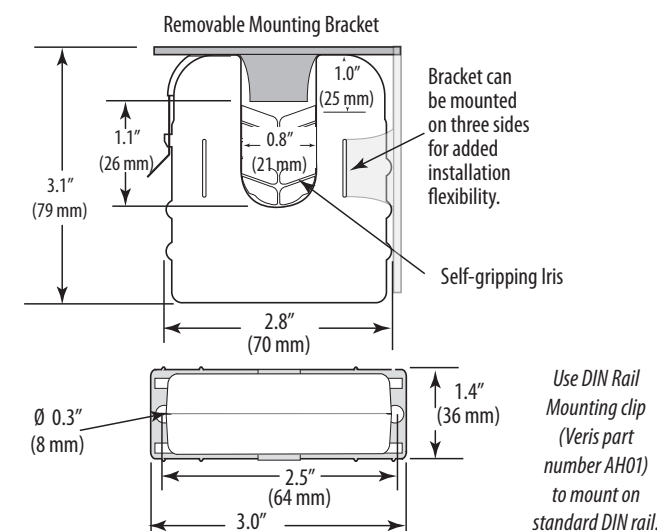
- HAZARD OF ELECTRIC SHOCK, EXPLOSION, OR ARC FLASH**
- Follow safe electrical work practices. See NFPA 70E in the USA, or applicable local codes.
  - This equipment must only be installed and serviced by qualified electrical personnel.
  - Read, understand and follow the instructions before installing this product.
  - Turn off all power supplying equipment before working on or inside the equipment.
  - Product may use multiple voltage/power sources. Be sure all sources of power have been disconnected before servicing.
  - Use a properly rated voltage sensing device to confirm power is off. DO NOT DEPEND ON THIS PRODUCT FOR VOLTAGE INDICATION
  - Only install this product on insulated conductors.
- Failure to follow these instructions will result in death or serious injury.**

A qualified person is one who has skills and knowledge related to the construction and operation of this electrical equipment and the installation, and has received safety training to recognize and avoid the hazards involved. NEC2011 Article 100  
No responsibility is assumed by Veris Industries for any consequences arising out of the use of this material.

### NOTICE

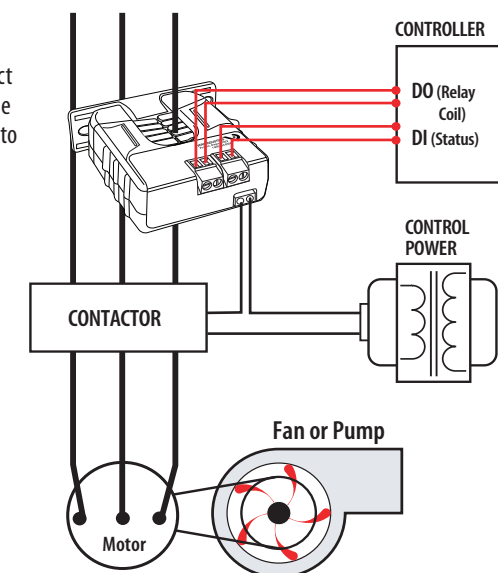
- This product is not intended for life or safety applications.
- Do not install this product in hazardous or classified locations.
- The installer is responsible for conformance to all applicable codes.
- Mount this product inside a suitable fire and electrical enclosure.

## Dimensions



## Installation

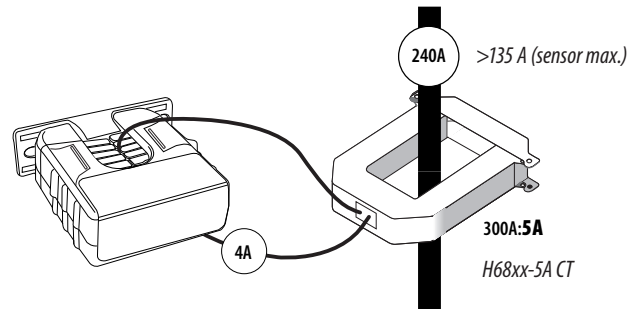
1. Disconnect and lock out power to the enclosure containing the conductor to be monitored.
2. Locate a mounting surface for the removable mounting bracket that will allow the monitored conductor to pass through the center window when it is installed and that will keep the product at least 1/2" (13 mm) from any uninsulated conductors. Determine cable routing for the controller connection, allowing the wiring to reach the mounting location.
3. Drill holes to mount the bracket to the chosen surface using the included screws.
4. Wire the output connections from the sensor output terminals to the controller (solid-state contact) and from the sensor relay terminals to the relay power supply.
5. Snap the sensor over the conductor and clip the assembly to the mounting bracket.
6. Secure the enclosure and reconnect power.
7. Calibrate the sensor with the load running normally.



Notes

**For load currents greater than sensor maximum rating:**

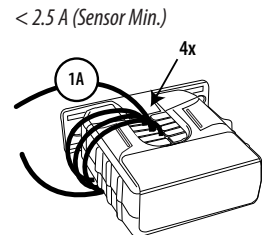
Use a 5 Amp (H68xx series) current transformer (CT) as shown. This technique can be combined with wrapping (see below) to add range for a low current load on a high current source.



**⚠️ DANGER 5A CTs can present hazardous voltages. Install CTs in accordance with manufacturer's instructions. Terminate the CT secondary before applying current.**

**For load currents less than sensor minimum rating:**

Wrap the monitored conductor through the center window and around the sensor body to produce multiple turns. This increases the current measured by the transducer. Program the controller to account for the extra turns (e.g., if four turns pass through the sensor (as shown) divide the normal reading by 4).



**CAUTION**  
**RISK OF EQUIPMENT DAMAGE**

- Derate the product's maximum current for the number of turns through the sensing window using the following formula.  
Rated Max. Amps ÷ Number of Turns = Max. monitored Amps  
e.g. : 100A ÷ 4 Turns = 25 Amps max. in monitored conductor
- Failure to follow these instructions can result in overheating and permanent equipment damage.

Calibration

Before beginning calibration, establish normal load conditions. Then choose either A or B below.

**A. To monitor under-current (belt loss, coupling shear, status)**

- Turn setpoint screw clockwise until Status Open LED turns on.
- Slowly turn the screw counter clockwise until the Status Closed LED turns on.
- Turn the screw an additional 1/4 turn counter clockwise for operational margin.

**B. To monitor over-current (mechanical problems, seized impeller)**

- Turn setpoint screw counter clockwise until Status Closed LED turns on.
- Slowly turn the setpoint screw clockwise until the Status Open LED just turns on.
- Turn the setpoint screw an additional 1/4 turn clockwise for operational margin.

Troubleshooting

Problem	Solution
No Reading at Controller	<ul style="list-style-type: none"> <li>Check sensor calibration (see above)</li> <li>Check for control voltage at sensor (&lt;30V)</li> <li>Check for amperage in monitored conductor (&gt; 2.5A)</li> <li>Assure that sensor core mating surfaces are clean and that the core clamp is completely closed</li> </ul>
Setpoint screw has no stops	The setpoint screw has a slip-clutch at both ends of its travel to avoid damage. Twenty turns CCW will reset the sensor to be most sensitive. Repeat calibration above.
Both LEDs are lit	Setpoint screw is too far clockwise. See solution above.