

Indoor and Outdoor Enclosures

Corrosion-Resistant Paint

Mounting Bracket

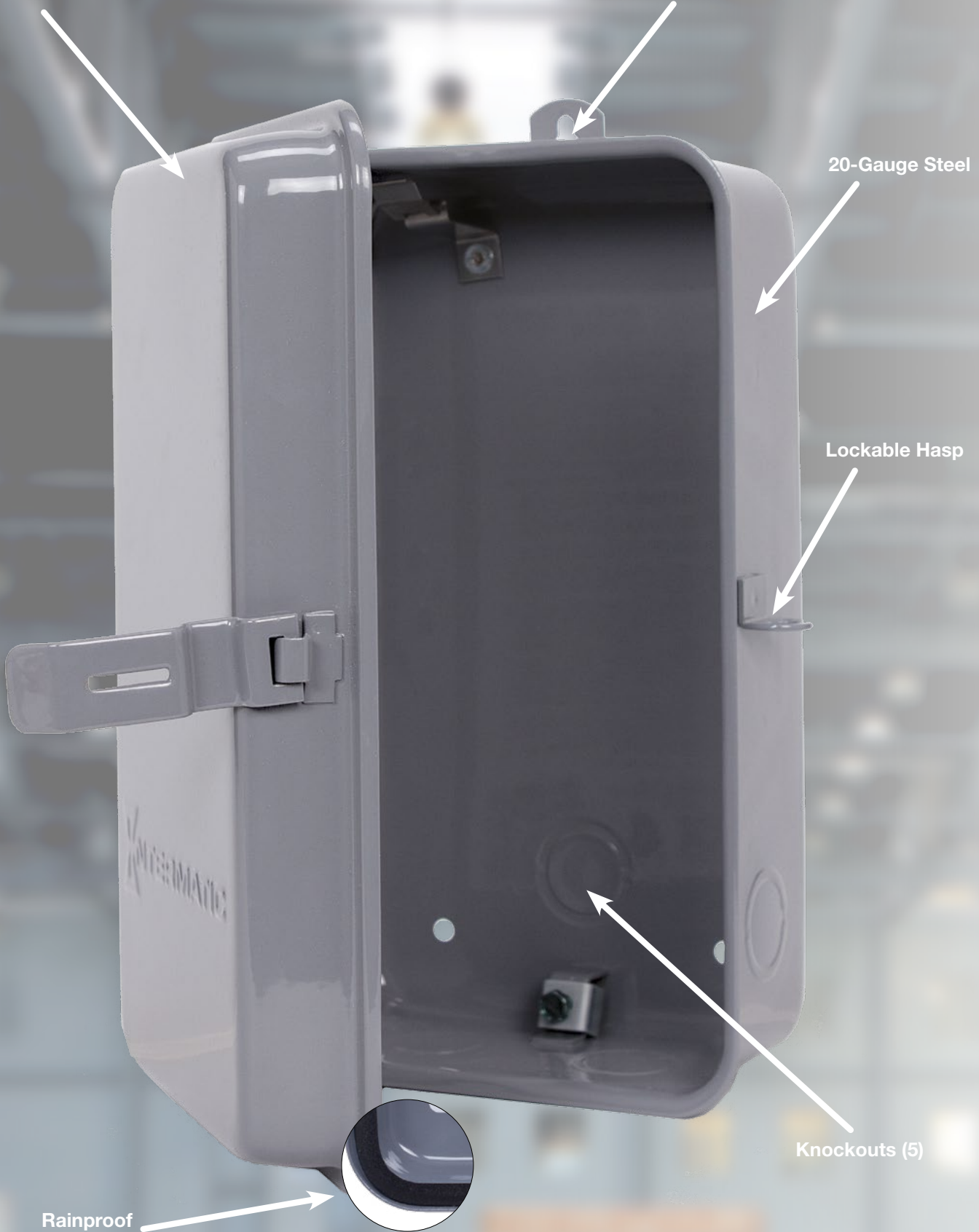
20-Gauge Steel

Lockable Hasp

Knockouts (5)

Rainproof Gasket

2T511GA Shown



Enclosures and Accessories

Selecting an enclosure that best meets your needs:

Intermatic Enclosures
pages 164-166



Type 1 Indoor Metal



Type 3R Outdoor Metal



Type 3R Outdoor Plastic

Grässlin Enclosures
pages 167



Type 1 Indoor Plastic



Type 3R Outdoor Plastic



Type 3R Outdoor Plastic

Mounting Options



Flush Mount Metal Enclosures



Surface Mount Bracket



DIN Rail/Surface or Flush Mount Options

Mounting Options

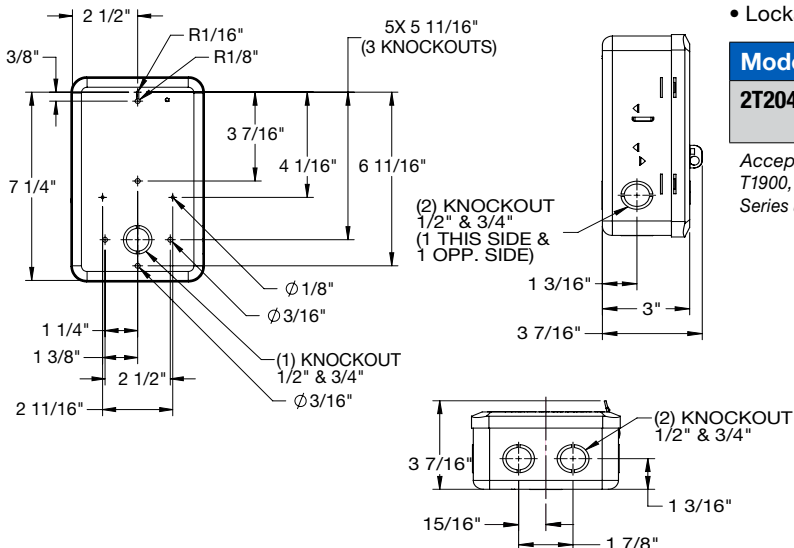
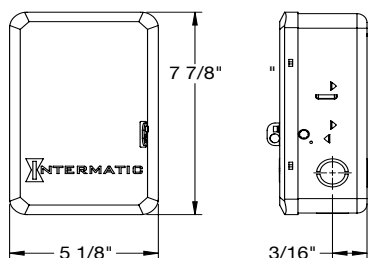
Contents

Metal Enclosures	164
Plastic Enclosures	165
Specialty Mounting Options	166
Grässlin Plastic Enclosures	167
Accessories	168-170



2T2040GA

Enclosure Dimensions



Indoor Metal Enclosure

Type 1

These drawn steel, powder coated enclosures offer a spring style hasp to ensure the enclosure remains closed and allows for a lock to be used to prevent unauthorized access to the controls.

Features

- Drawn steel with gray powder coat paint finish
- Combination 1/2" and 3/4" nominal knockouts with one on back and each side of enclosure, and two on bottom
- Convenient mounting holes
- Lockable hasp holds door closed

Model #	Color	Dimensions H x W x D
2T2040GA	Gray	7 7/8" x 5 1/8" x 3 7/16" (200 mm x 130.2 mm x 87.3 mm)

Accepts a wide range of Intermatic Time Switches, including most T100, T170, T1900, T2000, C8800, EH, ET1100, ET1700, ET2000, ET8000, ET90115, and ET90215 Series units.

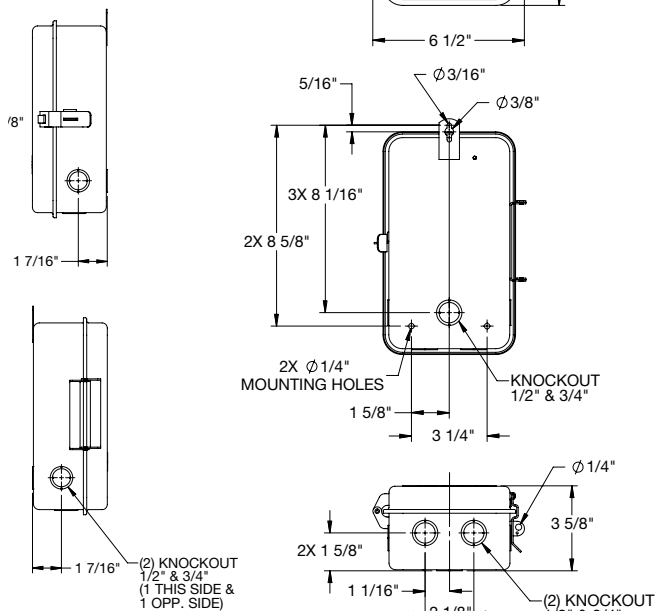
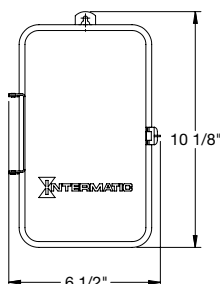


2T511GA



2T2485GA

Enclosure Dimensions
2T511GA / 2T2485GA



Outdoor Metal Enclosures

Type 3R Rainproof

These drawn steel, powder coated enclosures keep controls protected from rain, sleet, snow, and ice. They have a swinging hasp that allows for a lock to be used to prevent unauthorized access to the controls.

Features

- Drawn steel with gray or beige powder coat paint finish
- Combination 1/2" and 3/4" nominal knockouts with one on back and each side of enclosure, and two on bottom
- Separate grounding terminal
- Convenient mounting holes
- Lockable hasp holds door closed

Model #	Color	Dimensions H x W x D
For Most Mechanical and Electronic Controls		
2T511GA*	Gray	10 1/8" x 6 1/2" x 3 5/8" (257.2 mm x 165.1 mm x 92.1 mm)
2T2485GA*	Beige	10 1/8" x 6 1/2" x 3 5/8" (257.2 mm x 165.1 mm x 92.1 mm)
For Carry-Over Models		
2T2331GA**	Gray	10 1/8" x 6 1/2" x 3 11/16" (257.2 mm x 165.1 mm x 93.7 mm)

*Available for T100, T170, T1900, T2000, C8800, EH, ET1100, ET1700, ET2000, ET8000, ET90115, and ET90215 Series units.

**Available for T100CR, T170CR, T1400, and T1800 Series units.

Outdoor Plastic Enclosures

Type 3R Rainproof

These heavy-duty industrial grade plastic enclosures include molded mounting brackets for easy installation, and have a lockable hasp to prevent unauthorized access to the controls. These plastic enclosures are non-corroding, and are great for applications in high moisture or dusty locations.

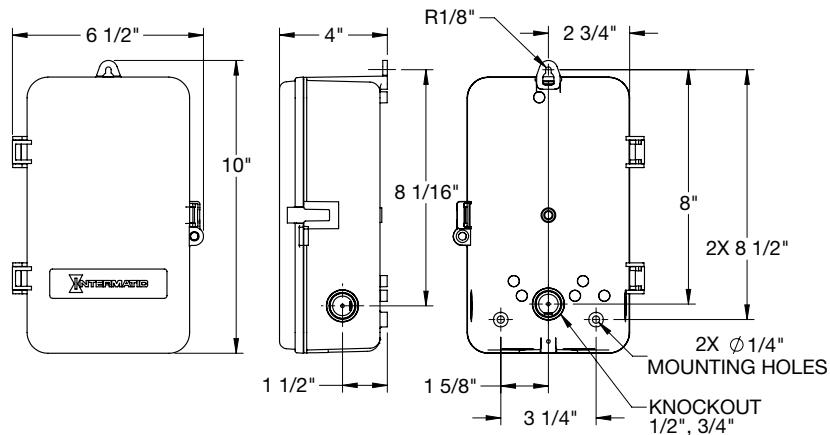
Features

- Heavy-duty industrial grade plastic
- Perfect for high humidity and dusty environments
- Combination 1/2" and 3/4" nominal knockouts with one on back and each side of enclosure, and two on bottom
- Lockable hasp holds door closed

Model #	Description	Dimensions H x W x D
2T2500GA	Gray	10" x 6 1/2" x 4" (254 mm x 65.1 mm x 101.6 mm)
2T2502GA	Beige	10" x 6 1/2" x 4" (254 mm x 65.1 mm x 101.6 mm)
2T2926A	Gray with See-Through Window	10" x 6 1/2" x 4" (254 mm x 65.1 mm x 101.6 mm)

Available for T100, T170, T1400, T1900, T2000, C8800, EH, ET1100, ET1700, ET8000, ET2000, ET90115, and ET90215 Series units.

Enclosure Dimensions



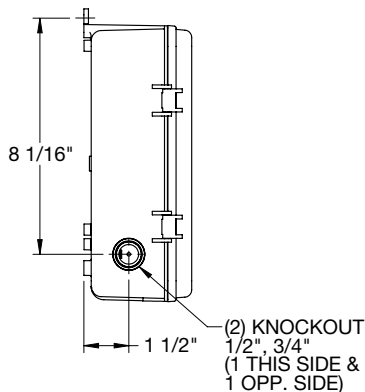
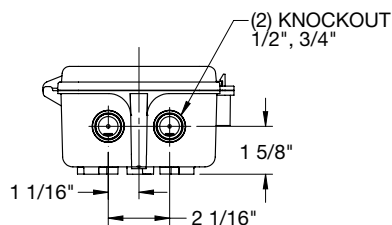
2T2500GA

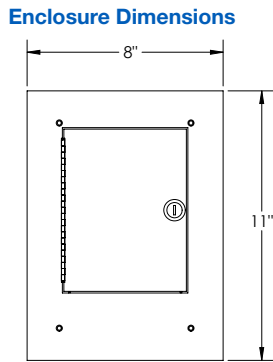


2T2502GA



2T2926A





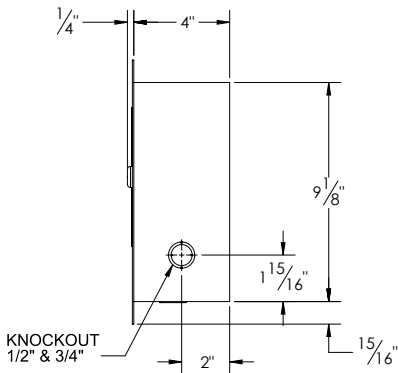
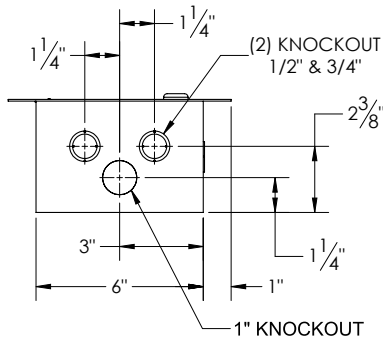
Flush Mount Metal Enclosures

Type 1 Rated

These enclosures are great for concealing the controls in the wall, and providing a finished, flush appearance. Enclosures are made of heavy-duty steel and also include a locking mechanism to prevent unauthorized access to the controls.

Features

- Heavy-duty construction with hinged door
- Lockable door with key
- Various mounting holes



Model	Dimensions H x W x D	Cover Size
Riveted Mounting Bracket		
2T2365GA*	9 1/8" x 6" x 4 1/8" (231.8 mm x 152.4 mm x 104.8 mm)	11" x 8" (279.4 mm x 203.2 mm)
Adjustable Bracket Mount Locations		
2T308A**	9 1/8" x 6" x 4 1/8" (231.8 mm x 152.4 mm x 104.8 mm)	11" x 8" (279.4 mm x 203.2 mm)

*Available for ET1100, ET1700, ET2000, ET8000, EH, ET90115, and ET90215 series units.

**Available for T100, T170, T1900, T2000, and C8800 series units.



22T338GR

Surface Mount Bracket

Mounting Brackets

This bracket has been designed to be used when mounting the controls into areas where an enclosure will not be needed or when mounting the control into another form of enclosure. The bracket also accepts a wide range of Intermatic controls.

Features

- Ideal for panel mounting mechanical or electronic time switch controls

Model #	Description	Dimensions H x W x D
22T338GR	Surface Mount Snap-In Bracket	6" x 5" x 2" (152.4 mm x 127 mm x 50.8 mm)

Accepts a wide range of Intermatic Time Switches, including most T100, T170, T1900, T2000, C8800, ET1100, ET1700, ET2000, ET8000, ET90115, and ET90215 series units.

The Grässlin E150, E200, and E300 are outdoor rated plastic enclosures which provide mounting for any Grässlin Electromechanical and Electronic Time Switches. These enclosures are also well-suited for use with pool controls, relays, contactors, and other control or electrical mechanisms. The E150 is Type 1 rated for indoor applications. The E200 and E300 are Type 3R "Rainproof" rated for outdoor and wet or dusty locations. Bosses are provided for mounting of a DIN rail. Additional bosses provide a means of mounting a printed circuit board assembly. Provision for interior cover panel is also provided.

Indoor Plastic Enclosure

E150

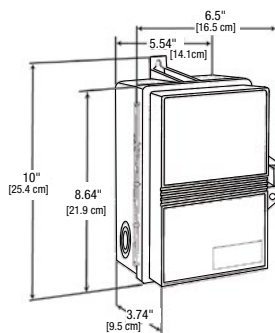
Applications

Provisions for mounting any Grässlin Time Control or LightMaster™ Control System

Features

- Type 1 indoor enclosure
- High impact all-plastic enclosure eliminates rust and corrosion
- Rugged heavy-duty construction
- Provision for padlock seal
- Five combinations of ½" and ¾" knockouts

Enclosure Dimensions



E150

Ratings	
Overall, w/mounting tabs	10" x 6 ½" x 3 ¾"
Base exterior	8" x 5" x 2 ⅜"
Base interior	7 ½" x 4 ½" x 2"
Door exterior	8 ⅞" x 5 ½" x 1 ⅜"
Weight:	1 lb

Model#	Dimensions H x W x D
E150	8.64" x 6.5" x 3.74" (21.9 cm x 16.5 cm x 9.5 cm)

Outdoor Plastic Enclosure

E200

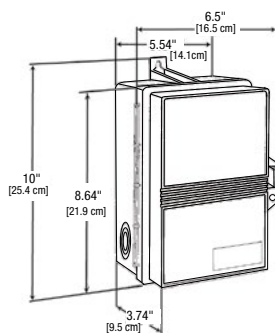
Applications

Provisions for mounting any Grässlin Time Control or LightMaster™ Control System

Features

- Type 3R Outdoor enclosure
- High impact all-plastic enclosure eliminates rust and corrosion
- Rugged heavy-duty construction
- Provision for padlock seal
- Five combinations of ½" and ¾" knockouts

Enclosure Dimensions



E200



Ratings	
Overall, w/mounting tabs	10" x 6 ½" x 3 ¾"
Base exterior deep	8" x 5" x 2 ⅜"
Base interior	7 ½" x 4 ½" x 2"
Door exterior	8 ⅞" x 5 ½" x 1 ⅜"
Weight	1 lb

Model #	Dimensions H x W x D
E200	8.64" x 6.5" x 3.74" (21.9 cm x 16.5 cm x 9.5 cm)

Outdoor Plastic Enclosure

E300

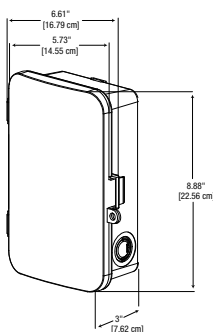
Applications

Provisions for mounting any Grässlin Time Control

Features

- Type 3R outdoor enclosure
- High impact all-plastic enclosure eliminates rust and corrosion
- Rugged heavy duty construction
- Provision for padlock seal
- Five combinations of ½" and ¾" knockouts

Enclosure Dimensions



E300

Ratings	
Overall, w/mounting tabs	8.88" x 6.61" x 3" (22.56 cm x 16.79 cm x 14.55 cm)
Weight	1.33 lbs. (60 kg)

Model #	Dimensions H x W x D
E300	8.88" x 6.61" x 3" (22.56 cm x 16.79 cm x 14.55 cm)

Don't Forget

Add an Intermatic relay or other accessories to your Grässlin Enclosure with a Grässlin Time Control for heavy-duty applications requiring 25 A @ 277 VAC, 3 HP. Applicable accessories include: Relays 143T137 (24 VAC coil voltage), 143PS107 (24 VDC coil voltage), 143T304 (120 VAC coil voltage), 22-00012 (4" metal Din rail). See Pages 168-170 for further accessory details.

Enclosures and Accessories

Accessories

Model #	Description
HVAC Power Protection	
22--00091	Compressor Defender™ Mounting Bracket
Defrost Time Controls/HVAC/R	
DT-B	Defrost Timer Bracket
156--01318A	DTAV40 Plate Assembly
Electronic Controls	
101--00040	Battery Holder for ET100
176ET17A	120 VAC Surge Suppressor
6ET1398GA	Flush Mount Door Assembly with Lock
NOISEFILTER	Noise Filter
ET-NF	Noise Filter for Electronic Controls
22T338GR	Mounting Bracket for ET90115, ET90215, ET1100, ET1700, ET8000, ET2100, ET2700 and ET2800 Series Electronic Controls
ET9100	ET90415-ET91615 Replacement Door Assembly
ET9232	Ethernet Module for ET90000 Upgrade or Replacement
ET9250	4-Circuit Relay Board for Upgrade or Replacement of ET90415CR-ET91615CR Panels
124--00101	Insulator for ET Series controls (ET1100, ET1700, ET8000, ET2100, ET2700, ET2800 Series)
ET9500	BEMS Interface Box for ET90000 Series
Grässlin Time Controls	
24--00109	Wall Plate for KM2ST-1G or KM2STU-1G, Single Gang, White
24--00046	Wall Plate for KM2ST-2D, 2 Gang (Timer and Decorator Switch), White
24--00041	Wall Plate for KM2ST-2G, 2 Gang (Timer and Toggle Switch), White
24--00045	Wall Plate for KM2ST-2R, 2 Gang (Timer and Receptacle), White
24--00051	Wall Plate for KM2ST-3D, 3 Gang (Timer and 2 Decorator Switches), White
24--00042	Wall Plate for KM2ST-3G, 3 Gang (Timer and 2 Toggle Switches), White
24--00043	Wall Plate for KM2ST-4G, 4 Gang (Timer and 3 Toggle Switches), White
DC-FME	Clear Dust Cover for Electronic Panel Mount
DC-FME-A	Dust Cover for Electronic Panel Mount
FM-FU	FM1 Flush Mount Housing Kit
FM-SU	FM1 Surface/DIN Rail Kit
180-0014	FM1 Housing Terminal Base
Grässlin Hour Meters	
691	Housing Base for UWZ48 Surface Mount
G-53U	FWZ53 Flush Mount Gasket
BEZ55-GRAYU	55 mm Gray Bezel for UWZ48E
BEZ55-BLACKU	55 mm Black Bezel for UWZ48E
BEZ72U	72 mm Gray Bezel for UWZ48E
BEZ72PU	72 mm Bezel with 3 Pins for Round 3-Bolt Hole Opening for UWZ48E
MB-48V	DIN Rail Mounting Base for UWZ48E

Model #	Description
LightMaster™ Lighting Control System	
LS1	Transparent Sensor 0.2 to 50 fc
LS2	Dark Sensor 10 to 1000 fc
PC1-120	1-Circuit Control Unit 120 VAC
PC2-120	2-Circuit Control Unit 120 VAC
Mechanical Time Switches	
107T119	Tripper (Silver) for T8800 and R8800 Series (Day Skipper)
107T73	Replacement Day Wheel Pins (These go into the actual Day Wheel)
119T85	24 VAC, 20 VA (S) Transformer
119T86A	24 VAC Transformer for T8845PV
124T1948	Insulator for Single Pole Time Switch (T101, T102, T171, T172)
124T1949	Insulator for Double Pole Time Switch (T103, T104, T105, T173, T174, T175, T176, T185, WH40)
124T1952	Insulator for Double Pole Time Switch (T103, T104, T105, T173, T174, T175, T176, T185, WH40)
124T1953	Insulator for 4PST Time Switch
124T1954	Insulator for T101B with Independent Motor Wiring
124T2058	Insulator for T1905, T1906, T2006, T2005, C8815, C8825, C8835, C8845, C8855, C8865, C8866
124T2097	Insulator for R8806P101C, T8805P101C, T8845PV
124T2098	Insulator for WH21
124T2375	Insulator for T30004R30
124T905	Insulator for T1905HDM, T1975EHDM, T1975HD, T1976, T1975, T1975ER, T1905
124T907A	Insulator Assembly (S001)
130T1042	Grounding Terminal Bar
131T68GA	125 VAC, 60 Hz Motor and Carry-over for T7400BC and T800BC Series
133T698A	Replacement Snap Switch for T1970 Series
133T700A	Micro Switch for T8800 and R8800 Series
133T701A	Replacement Snap Switch for T1900 and T2000 Series
133T773A	Replacement Snap Switch for C8800 Series
143T138	Relay Kit, DPST, 3 HP, 240 VAC (S)
143T302A	Relay Kit, Assembly (S001)
143T304	Relay Kit, DPST, 3 HP, 120 VAC (S)
146T400	Knob-Switch (S)
156T1948A	Trippers for T170, T1400, T1800 Series Includes 1 ON, 1 OFF, and 1 ON with Skipper Extension
156T1949A	Tripper for T185 (Variable 10 to 60 Minute Interval)
156T1950A	Set of 12 Trippers for T1900, T2000, C8800, R8800 and T8800 Series
156T1950AD12	12 Bags of 156T1950A Trippers for T1900, T2000, C8800, R8800, and T8800 Series
156T1954A	14 Skipper Pins for R8800, and T8800 Series
156T1957A	Skipper Screws

Model #	Description
Mechanical Time Switches (continued)	
156T1978A	1 Set of ON/OFF Trippers for T100, T7000, and WH40
156T1978AD12	12 Pack of 156T1978A Trippers for T100, T7000, and WH40
156T1978All	2 Sets of ON/OFF Trippers for T100, T7000, and WH40
156T2548A	7 Sets of ON/OFF Trippers for T7400 and T7800 Series
156T2978A	Package Accessory Trippers
156T3085A	Skipper Screws for T170 Series, T1470 Series, and T1870 Series
22T338GR	Bracket for T100, T170, T1900, T2000, & C8800 Series
WG1570-10D	125 VAC, 60Hz Motor for T101, T103, T105
WG1573-10D	208-277 VAC, 60 Hz Motor for T102, T104, T106, T172, T174, WH40
WG730-14D	125 VAC, 60 Hz Motor for R8800, T1900, T1970, and T8800 Series
WG733-14D	208-277 VAC, 60 Hz Motor for R8800, T1900, T1970, and T8800 Series
Metal Trippers	
156T1948A	Trippers (1) Set (ON/OFF/ON Cutout) for T170, P171, T1400, and T1800 Series
156T1949A	Tripper Variable (10 to 60 Min) for T185
156T1950A	Trippers (12 ON/OFF) for T1900, T2000, C8800, R8800 and T8800 Series
159T1954A	14 Pins for R8800 and T8800 Series
156T1957A	Skipper Screws (3 per package)
156T1978A	Trippers (1 ON/1 OFF) for T100, T7000, and WH40
156T2548A	Trippers 7 sets (ON/OFF) for T5100, T7400 and T7800 Series
156EB1945A	Trippers for E1020 (Pack of 2)
156T3085A	3 Skipper Screws for T170, P171, T1400, T1800 and WH Series
156T3230A	Trippers (1) Set (ON/OFF/ON Cutout) for WH Series
156T3225A	Trippers WH40
Photocontrols	
6LV1352	Light Shield for Button Photocontrol (K4000 Series, K4321, K4400 Series, EK4036S, EK4336S, EK4436SM)
K43-WP-KIT	Wall Plate Kit (for Button - K4000 Series, EK4036S)
22LG116	Replacement Light Guard for Thermal Photocontrols (K4100 and K4200 Series)
K42-SW-A	Swivel Arm
K4500	Shorting Plug, Rating: 15 A, 480 VAC Max
K121	ANSI C136.10 Locking Type NEMA Receptacle, (9" lead)
K121-30	ANSI C136.10 Locking Type NEMA Receptacle, (30" lead)
K122	Sealed Locking Type NEMA Receptacle with Pole Bracket
Plastic Trippers	
107SB234	Green (ON) for HB35R, HB36R (Outdoor)

Model #	Description
Plastic Trippers (continued)	
107SB189	Red (OFF) for HB35R, HB36R (Outdoor)
107SB216	Green (ON) for HB31R, HB32R
107SB217	Red (OFF) for HB31R, HB32R
107HB254	Green (ON) for HB11, HB1113RC, HB1116R, HB3116R8, P1121 (Outdoor)
107HB255	Red (OFF) for HB11, HB1113RC, HB1116R, HB3116R8, P1121 (Outdoor)
107TN222	Turquoise (ON) for TN, PB, TB Series, P1101, P1131, P1161, P1261P, AL300TPWS, AL600TPWS and AL900TPWS
107TN221	Red (OFF) for TN, PB, TB Series, P1101, P1131, P1161, P1261P, AL300TPWS, AL600TPWS and AL900TPWS
107SB189	Red (ON) for SB Series, HB112C, HB113C, HB114C (Indoor), AL300RTW, AL600TW, AL900TW, AL60TW and ML Series Transformer Timers
107SB192	Black (OFF) for SB Series, HB112C, HB113C, HB114C (Indoor), AL300RTW, AL600TW, AL900TW, AL60TW and ML Series Transformer Timers
Pool & Spa	
119T267	Transformer - 100 W, 120 V, 60 Hz
119T340	Transformer - 300 W, 120 V, 60 Hz
124--00066	Insulator for Timers
124T2411A	Time Switch Insulator - 10 Pack
124T2530A	8-Pole Buss Bar Assembly
133RC1144	Pressure Sensing Momentary Air Switch - 3 A
143RC140	Relay - 4-Function Stepper
143RC151	Relay - DPST, 3 HP, 24 VAC
143T135	Relay - DPST, 3 HP, 240 VAC
143T136	Relay - DPST, 3 HP, 120 VAC
143T145A	Relay - DPST, 3 HP, 24 VDC
156PB10398A	Trippers - Clip, ON/OFF, 24-Hr
156T6738A	Insulators for Time Switch Manual Lever - 10 pack
178T24	Freeze Protection Thermostat
21T156A	Spacer-Standoff, 3" long - 4 pack
21T166A	Spacer-Standoff, 3" long - 2 pack
22T904A	Breaker Hold-Down Kit (If breaker is used as a backfed device)
2T2485GA	Case - Raintight, Beige, Painted
2T2502GA	Case - Rainproof, Plastic
PA102	Switch Assembly with Thermostat and Relay
PA114	Mounting Bracket for Pool/Spa Light Junction Boxes
PA115	Trippers - OFF - 25 pack
PA117	Replacement Latch Kit
PA120	Relay - DPST with 24 VAC coil
Specialty Time Switches	
133T1115A	Toggle Switch for T8800 and R800 Series
133T700A	Micro switch for T8800 and R800 Series

Model #	Description
Surge Protection	
AG1BRKT	Mounting Bracket for AG2401C3, AG48013, AG2083C3, AG4803C3, AG6503C3, AG6503L3, AG2403C3
24EG5133	Mounting Bracket Plate for Type 3 SPD Surge Strips
IG1240FMP33	Flush Mount Kit for IG1200RC3 and IG1240RC3
IG3240FMP33	Flush Mount Kit for IG3240RC3
IG2T	Spare Telephone/Modem/DSL Internet Protection Module
IG1C	Spare Coax Cable Protection Module
IG120RSM10	Replacement Consumable Module for IG2240 Series
IG120RSM20	Replacement Consumable Module for IG2280 Series
IG2200-FMK	Flush Mount Kit for IG2240-IM, IG2240-IMS, IG2280-IM
Timers	
146MT573	Knob-Wall Switch FD Series - Ivory
146MT574	Knob-Wall Switch FD Series - White
146MT575	Knob-Wall Switch FD Series - Almond
146MT577	Knob-Wall Switch FF Series - White
146MT579	Knob-Wall Switch FF Series - Black
148FD5024	Plate for 5-Min with HOLD (FF5MH)
148FD5025	Plate for 5-Min without HOLD (FF5M)
148FD5029	Plate for 60-Min with HOLD (FF60MHC)
148FD5030	Plate for 6-Hr without HOLD (FF36H, FF46H, FF6H)
148FD5031	Plate for 6-Hr with HOLD (FF6HH)
148FD5032	Plate for 12-Hr without HOLD (FF12HC, FF312H, FF412H)
148FD5033	Plate for 12-Hr with HOLD (FF12HHC, FF312HH)
148FD5034	Plate for 2-Hr without HOLD (FF2H, FF32H)
148FD5035	Plate for 2-Hr with HOLD (FF32HH)
148FD5036	Plate for 4-Hr without HOLD (FF34H, FF4H)
148FD5037	Plate for 4-Hr with HOLD (FF34HH)
148FD5038	Plate for 30-Min with HOLD (FF30MH)
148FD5039	Plate for 15-Min with HOLD (FF15MH)
148FD5052	Plate for 5-Min without HOLD, White (FD5MW)
148FD5054	Plate for 15-Min with HOLD, White (FD15MHW)
148FD5056	Plate for 30-Min with HOLD, White (FD30MHW)
148FD5058	Plate for 60-Min with HOLD, White (FD60MHW)
148FD5059	Plate for 6-Hr without HOLD, White (FD46HW, FD6HW)
148FD5060	Plate for 6-Hr with HOLD, White (FD6HHW)
148FD5061	Plate for 12-Hr without HOLD, White (FD12HWC)
148FD5062	Plate for 12-Hr with HOLD, White (FD12HHW)

Model #	Description
Timers (continued)	
148FD5063	Plate for 2-Hr without HOLD, White (FD2HW, FD32HW)
148FD5064	Plate for 5-Min without HOLD, Ivory (FD5M)
148FD5066	Plate for 15-Min with HOLD, Ivory (FD15MH)
148FD5068	Plate for 30-Min with HOLD, Ivory (FD30MH)
148FD5070	Plate for 60-Min with HOLD, Ivory (FD60MH)
148FD5071	Plate for 6-Hr without HOLD, Ivory (FD36H, FD46H, FD6H)
148FD5072	Plate for 6-Hr with HOLD, Ivory (FD6HH)
148FD5073	Plate for 12-Hr without HOLD, Ivory (FD12HC)
148FD5074	Plate for 12-Hr with HOLD, Ivory (FD12HH)
148FD5075	Plate for 2-Hr without HOLD, Ivory (FD2H, FD32H)
148FD5076	Plate for 4-Hr without HOLD, Ivory (FD34H, FD4H)
148FD5077	Plate for 15-Min without HOLD, Light Almond (FD15MAC)
148FD5078	Plate for 30-Min without HOLD, Light Almond (FD30MAC)
148FD5079	Plate for 60-Min without HOLD, Light Almond (FD60MAC)
148FD5080	Plate for 4-Hr without HOLD, White (FD34HW, FD4HW)
FD15MP	Plate for 15-Min without HOLD, Ivory (FD15MC, FD415M)
FD15MPW	Plate for 15-Min without HOLD, White (FD15MWC)
FD30MP	Plate for 30-Min without HOLD, Ivory (FD30MC, FD430M)
FD30MPW	Plate for 30-Min without HOLD, White (FD30MWC, FD430MW)
FD60MP	Plate for 60-Min without HOLD, Ivory (FD460M, FD60MC)
FD60MPW	Plate for 60-Min without HOLD, White (FD460MW, FD60MWC)
FF15MP	Plate for 15-Min without HOLD, Ivory (FF15MC, FF315M, FF415M)
FF30MP	Plate for 30-Min without HOLD, Ivory (FF30MC, FF330M, FF430M)
FF60MP	Plate for 60-Min without HOLD, Ivory (FF360M, FF460M, FF60MC)
Weatherproof Covers	
WP17	Single-Gang Inserts
WP217	Double-Gang Inserts
WP101	Double-Gang Duplex
WP102	Double-Gang GFCI
WP107	Double-Gang Round 1 3/8", 1 1/2", 1 3/4" (35 mm, 41 mm, 44 mm)
WP213	Double-Gang Round 2 1/8", 2 3/8" (55 mm, 67 mm)
WP10HP	Replacement Hinge Pins (10-pc)