

GRÄSSLIN

0000012E

h



UWZ 48-L

24-30V~60Hz



## **Grässlin Hour Meters**

As a pioneer for hour meters, Grässlin by Intermatic decisively placed its stamp on this product market. The time-tested Grässlin Hour Meters from the FWZ, GZ, RZ, & UWZ lines are maintenance-free, robust and reliable for years to come. We offer a fully developed range of hour meters for use within or externally to industrial control panels, pumps, machinery, heaters, and other various applications which require load usage monitoring for preventive maintenance scheduling. The hour meters from Grässlin guarantee safe and highly reliable load usage monitoring.

---

### **Contents**

Grässlin AC Hour Meters Non-Reset Type .....	90
Grässlin DC and Vibratory Hour Meters Non-Reset Type .....	91
Grässlin AC Hour Meters Non-Reset Type .....	92-93

# Grässlin Hour Meters

## Flush Panel Mount AC Hour Meters (Non-Reset Type)

The FWZ Series AC Hour Meters are flush panel mountable designed to fit into tight locations. They are non-resettable and flush panel mounted with watertight/dust-tight sealed bezels designed to withstand IP54 environmental rating (with use of a gasket). All models are black plastic (except FWZ2B which is blue-silver on colorless frosted polycarbonate) with white numerals on a black background. Tenths and hundredths numerals are yellow.



### FWZ53 Series

Flush Panel Mount

Ratings	
<b>Voltage Available</b>	24, 120 or 220 VAC
<b>Frequency</b>	60 Hz 50 Hz available on 120, 220 VAC only
<b>Power Consumption</b>	1 VA
<b>Bezel</b>	2.09" x 1.02" (53 mm x 26 mm)
<b>Capacity</b>	99,999.99 hours
<b>Digits</b>	0.16" high numerals
<b>Operating Temperature</b>	-40° F to 160° F (-40° C to 72° C)
<b>Termination</b>	Combination ¼" spade and screw clamp
<b>Panel Opening</b>	1.50" x 1.00" rectangular (38 x 25 mm)
<b>Mounting</b>	Flush panel retainer mounted (2) 0.150" holes for #6 screws
<b>Material</b>	Black plastic
<b>Weight</b>	1.2 oz.
<b>Gasket Model #</b>	G-53U (sold separately)
<b>Ordering Information</b>	FWZ53 + Desired Voltage + Frequency + U

### FWZ55 Series

Flush Panel Mount

Ratings	
<b>Voltage Available</b>	120, 220 or 240 VAC
<b>Frequency</b>	60 Hz 50 Hz available on 220 VAC only
<b>Power Consumption</b>	1 VA
<b>Bezel</b>	2.17" x 1.18" (60 mm x 30 mm)
<b>Capacity</b>	99,999.99 hours
<b>Digits</b>	0.16" high numerals
<b>Operating Temperature</b>	-40° F to 160° F (-40° C to 72° C)
<b>Termination</b>	Combination ¼" spade and screw clamp; Rear access screw terminals available (Model "K")
<b>Panel Opening</b>	2.06" x 1.08" rectangular (52 mm x 27.5 mm)
<b>Mounting</b>	Flush-panel retainer mounted with slip-on retaining bracket
<b>Material</b>	Black plastic
<b>Weight</b>	1.8 oz.
<b>Gasket Model #</b>	G-55U (sold separately)
<b>Ordering Information</b>	FWZ55 + K* + Desired Voltage + Frequency + U

\* Rear access screw terminals

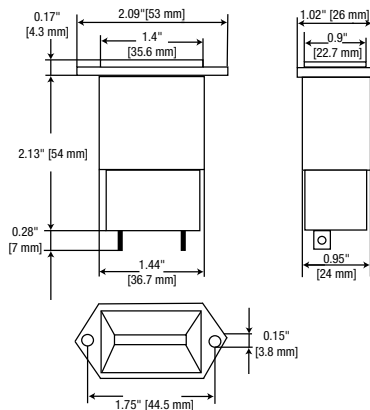
### FWZ72 Series

Flush Panel Mount

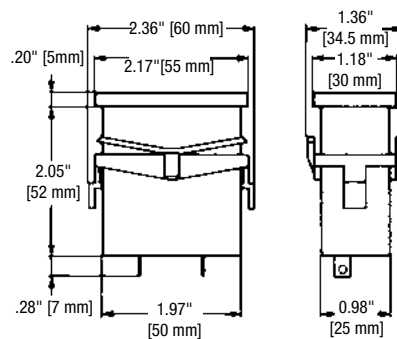
Ratings	
<b>Voltage Available</b>	24, 120 or 240 VAC
<b>Frequency</b>	60 Hz
<b>Power Consumption</b>	1 VA
<b>Bezel</b>	2.83" round (72 mm), 3 hole
<b>Capacity</b>	99,999.99 hours
<b>Digits</b>	0.16" high numerals
<b>Operating Temperature</b>	-40° F to 160° F (-40° C to 72° C)
<b>Termination</b>	Combo ¼" spade and screw clamp; Rear access screw terminals available (Model "K")
<b>Panel Opening</b>	1.75" (44.5 mm) round or 1.50" x 1" rectangular (38 mm x 24 mm)
<b>Mounting</b>	Flush panel mounted with (3) 0.185" holes for #8 screws
<b>Material</b>	Black plastic, 24 or 120 VAC Black plastic, 240 VAC Blue/silver/clear frosted polycarbonate, 120 or 240 VAC Clear frosted polycarbonate, 120 VAC
<b>FWZ72</b>	Black plastic, 24 or 120 VAC
<b>FWZ72K</b>	Black plastic, 240 VAC
<b>FWZ72B</b>	Blue/silver/clear frosted polycarbonate, 120 or 240 VAC
<b>FWZ72C</b>	Clear frosted polycarbonate, 120 VAC
<b>Weight</b>	1.8 oz.
<b>Gasket Model #</b>	G-72U (sold separately)
<b>Ordering Information</b>	FWZ72 + Suffix K*, B, or C + Desired Voltage + Frequency + U

\* Rear access screw terminals

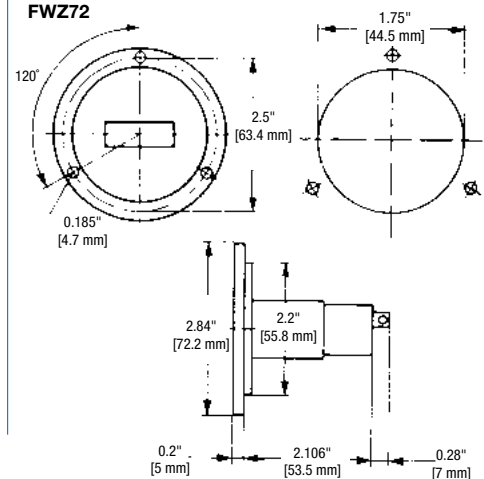
### Dimensions FWZ53



### Dimensions FWZ55



### Dimensions FWZ72



### Ordering Example:

To build a model #, choose the Hour Meter Series at the frequency you want. Add a "K" suffix for rear access screw terminals (on applicable models). Then specify voltage. Only 50 Hz models need to be denoted in the model #. Voltages not currently available will be considered on a case by case basis.

Series	+	VAC	+	Hz	+	Unit Pack	=	Model #
FWZ53	+	220	+	/50	+	U	=	FWZ53-220/50U



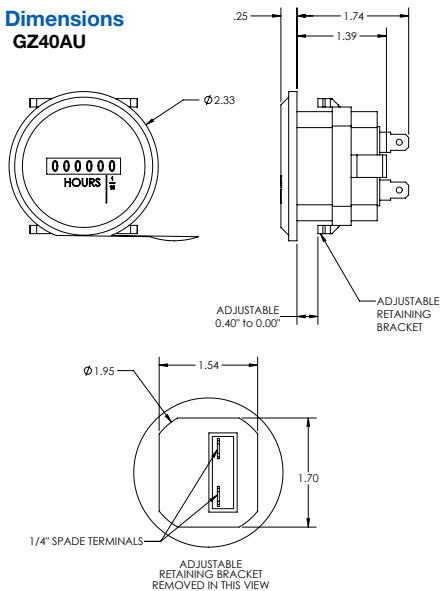
The Grässlin GZ Series DC Hour Meters are the answer to applications requiring low power load usage metering. Compact, tamperproof GZ40 meters are sealed against the environment (IP rated up to IP66) to provide years of service. Accumulated load usage hours are stored in the mechanical indicating counter; therefore, no battery is required to maintain elapsed time. An input diode provides polarity protection. A quartz crystal time base ensures accurate, long-term timekeeping.



**GZ40AU**  
Flush Mount

Ratings	
<b>Voltage Available</b>	10-80 VDC
<b>Power Consumption</b>	.03 W, 12 VDC; .70 W, 48 VDC
<b>Bezel</b>	SAE, 2.31" Dia (59 mm)
<b>Capacity</b>	99,999.9 hours
<b>Digits/Display</b>	(6) 0.125" high numerals-hours: white on black, tenths: red on white
<b>Vibration Resistance</b>	10-75 Hz, 1-8 g
<b>Operating Temperature</b>	-22° F to 150° F (-30° C to 65° C)
<b>Electrical Connection</b>	¼" spade termination
<b>Mounting</b>	Flush with Bracket
<b>Protected From</b>	Reverse polarity, inductive switching
<b>Environmental Rating</b>	IP66
<b>Weight</b>	2 oz.
<b>Model #</b>	GZ40AU

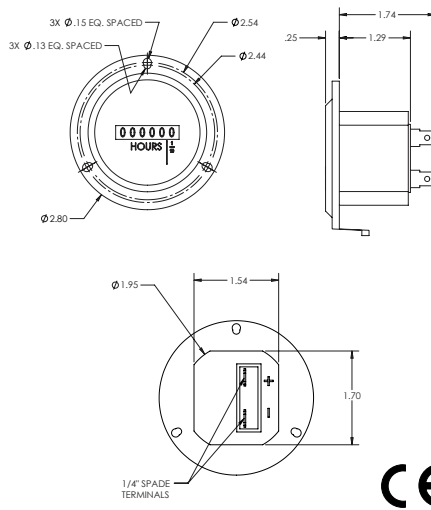
**Dimensions**  
GZ40AU



**GZ40BU**  
Flush Mount

Ratings	
<b>Voltage Available</b>	10-80 VDC
<b>Power Consumption</b>	.03 W, 12 VDC; .70 W, 48 VDC
<b>Bezel</b>	3-Hole, 2.80" Dia (72 mm)
<b>Capacity</b>	99,999.9 hours
<b>Digits/Display</b>	(6) 0.125" high numerals-hours: white on black, tenths: red on white
<b>Vibration Resistance</b>	10-75 Hz, 1-8 g
<b>Operating Temperature</b>	-22° F to 150° F (-30° C to 65° C)
<b>Electrical Connection</b>	¼" spade termination
<b>Mounting</b>	Flush
<b>Protected From</b>	Reverse polarity, inductive switching
<b>Environmental Rating</b>	IP66
<b>Weight</b>	2 oz.
<b>Model #</b>	GZ40BU

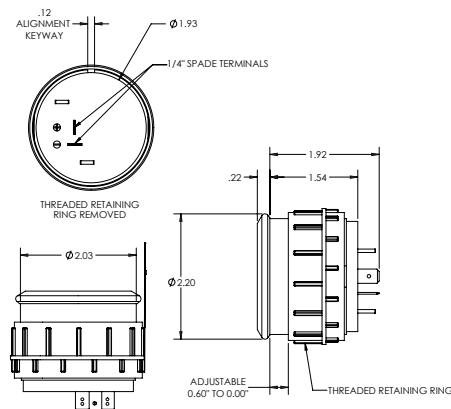
**Dimensions**  
GZ40BU



**GZ52BU**  
Flush Mount

Ratings	
<b>Voltage Available</b>	8-30 VDC
<b>Power Consumption</b>	.03 W, 12 VDC
<b>Current Consumption</b>	< 3 mA, 12 VDC
<b>Bezel</b>	2.28" Dia (58 mm)
<b>Mechanical Movement</b>	2-Phase step motor
<b>Capacity</b>	99,999.9 hours
<b>Digits/Display</b>	(6) 0.125" high numerals-hours: white on black, tenths: red on white
<b>Vibration Resistance</b>	DIN EN60068-2-64
<b>Accuracy</b>	+/- 0.5 sec/day at 20° C
<b>Operating Temperature</b>	-40° F to 185° F (-40° C to 85° C)
<b>Storage Temperature</b>	-40° F to 194° F (-40° C to 90° C)
<b>Electrical Connection</b>	¼" quick connectors
<b>Mounting</b>	Flush Bracket (Screw Type)
<b>Operating Indicator</b>	LED
<b>Protected From</b>	Reverse polarity, inductive switching
<b>Environmental Rating</b>	IP65
<b>Weight</b>	2 oz.
<b>Model #</b>	GZ52BU

**Dimensions**  
GZ52BU

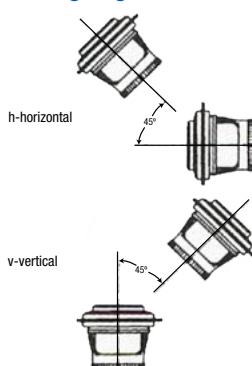


**No electrical connection required.** The RZ Series Vibration Hour Meters convert vibrations into energy to drive the minute hand. This sensitive hour meter can operate from the slightest vibrations, such as a moving car. Horizontal or vertical mounting position to 45°.

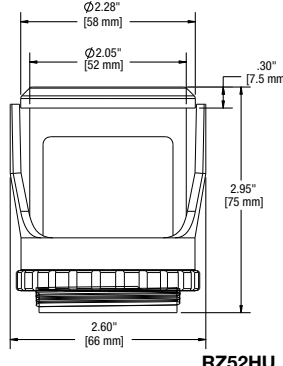


**RZ52 Series**  
Flush Mount Vibratory  
Hour Meters

**Mounting Angles**



**Dimensions**



Ratings	
<b>Capacity</b>	99,999.9 hours
<b>Digits/Display</b>	(6) 0.125" high numerals
<b>Vibration Sensitivity</b>	.18 g at 15 Hz
<b>Accuracy</b>	+/- 3% at uninterrupted operation
<b>Ambient Temperature</b>	-20° F to 140° F (-28° C to 60° C)
<b>Dimensions Dia x D</b>	2.28" x 2.95" (58 mm x 75 mm)
<b>Panel Cutouts</b>	Ø 2.04" (52 mm)
<b>Mounting Depth</b>	2.95" (75 mm)
<b>Mounting Position</b>	H to 45° V to 45°
<b>Environmental Rating</b>	IP65
<b>Weight</b>	3.5 oz
<b>Model #</b>	
<b>Horizontal Mount</b>	RZ52HU
<b>Vertical Mount</b>	RZ52VU

# Grässlin Hour Meters

## Surface/DIN Rail Mount AC Hour Meters (Non-Reset Type)

The UWZ Series AC Hour Meters are designed to meet IP20 environmental ratings for indoor applications. All models are light gray in color with white numerals on a black background. Tenths and hundredths numerals are yellow. An orange dial adjacent to the hundredths digit provides running indication.



### UWZ48 Series

Plug-in Surface Mount

The UWZ48 Surface Mount Hour Meter uses a plug-in base where terminal protection is not necessary. The socket base is easy to install and connect. Simply plug the meter into the base and secure with a screw.



### UWZ48A Series

Enclosed Surface Mount

The UWZ48A Enclosed Surface Mount is used with a terminal cover for added safety. Installation requires fixing the base to a wall or panel with two screws, wiring the base, and plugging in the meter with the terminal cover.



### UWZ48V Series

DIN Rail Mount

A special snap-on socket base allows for fast positioning onto a DIN rail.

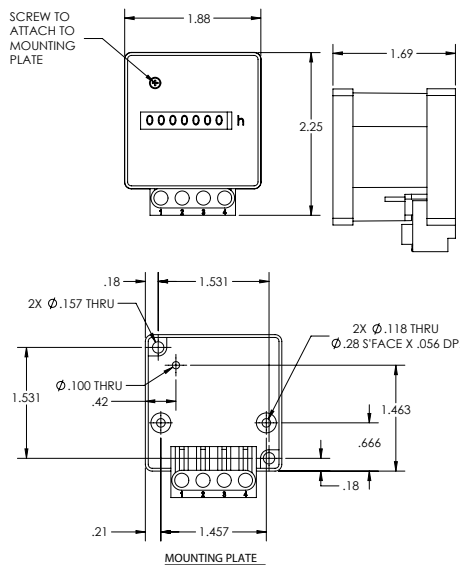
Ratings	
Voltage Available	24, 120, or 240 VAC
Frequency	60 Hz
Power Consumption	1 VA
Bezel	1.89" x 1.89" (48 mm x 48 mm)
Capacity	99,999.99 hours
Digits	0.16" high numerals
Operating Temperature	-40° F to 160° F (-40° C to 72° C)
Electrical Connection	Screw lugs
Mounting	Surface
Material	Light gray plastic
Weight	2.5 oz.
Ordering Information	UWZ48 + Desired Voltage + U

Ratings	
Voltage Available	24 or 120 VAC
Frequency	60 Hz
Power Consumption	1 VA
Bezel	1.89" x 1.89" (48 mm x 48 mm)
Capacity	99,999.99 hours
Digits	0.16" high numerals
Operating Temperature	-40° F to 160° F (-40° C to 72° C)
Electrical Connection	Screw lugs
Mounting	Surface
Material	Light gray plastic
Weight	2.5 oz.
Ordering Information	UWZ48A + Desired Voltage + U

Ratings	
Voltage Available	24 or 120 VAC
Frequency	60 Hz
Power Consumption	1 VA
Bezel	1.89" x 1.89" (48 mm x 48 mm)
Capacity	99,999.99 hours
Digits	0.16" high numerals
Operating Temperature	-40° F to 160° F (-40° C to 72° C)
Electrical Connection	Combination ¼" spade and screw clamp
Mounting	DIN Rail
Material	Light gray plastic
Weight	2.5 oz.
Ordering Information	UWZ48V + Desired Voltage + U

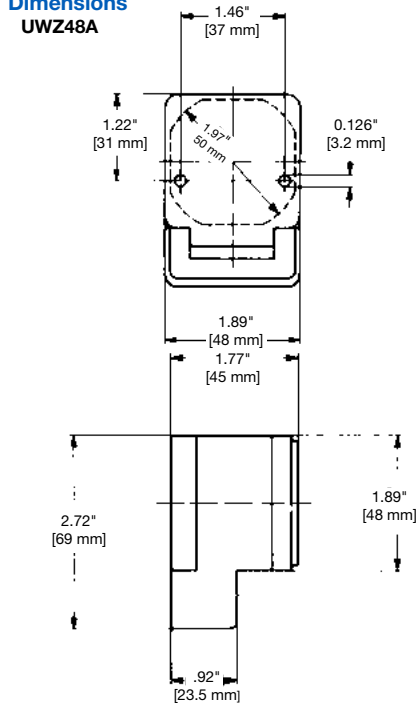
### Dimensions

#### UWZ48



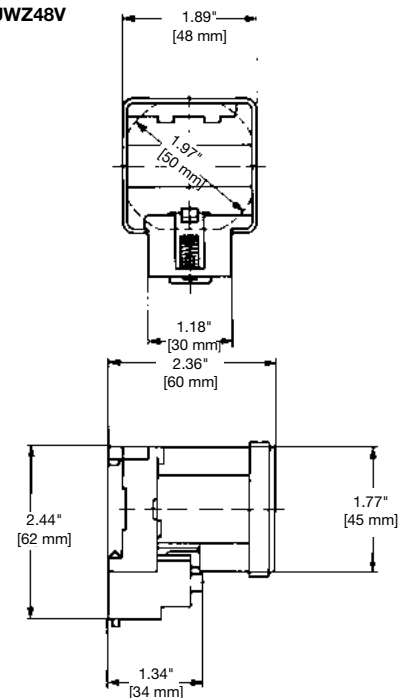
### Dimensions

#### UWZ48A



### Dimensions

#### UWZ48V



### Ordering Example:

To build a model #, choose the Hour Meter Series at the voltage you need and add a U suffix. All models are 60 Hz.

Series	+ VAC	+ U	= Model #
UWZ48	+ 240	+ U	= UWZ48-240U



#151753

#E22587

## UWZ Accessories

### 55 mm Bezel

for UWZ48E



BEZ55-GRAYU



BEZ55-BLACKU

### 72 mm Bezel

for UWZ48E



BEZ72U Gray

### 72 mm Bezel with 3 Pins

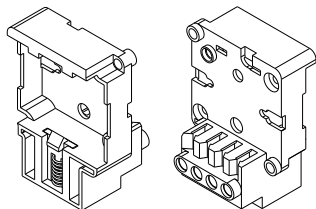
for round 3-bolt hole opening for UWZ48E



BEZ72PU Gray

### DIN Rail Mounting Base

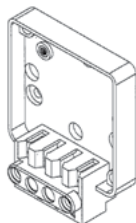
for UWZ48E



MB-48V

### Flush Mount Base

for UWZ48



691



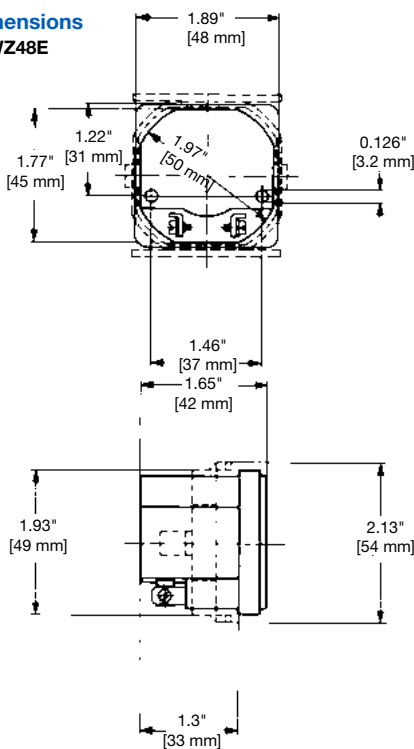
## UWZ48E Series

Flush Mount

Flush mounted with bracket, the UWZ48E unit fits into a 1.79" x 1.79" (45.5 x 45.5 mm) cutout. The thickness of the panel for flush mounting can be up to .35" (9 mm). The unit is secured in position by a plastic slip-on retaining bracket. The unit also fits square or round openings for 72 mm with optional 72 mm bezel.

Ratings	
<b>Voltage Available</b>	24, 120, 220 or 240 VAC
<b>Frequency</b>	50 or 60 Hz
<b>Power Consumption</b>	1 VA
<b>Bezel</b>	1.89" x 1.89" (48 mm x 48 mm)
<b>Capacity</b>	99,999.99 hours
<b>Digits</b>	0.16" high numerals
<b>Operating Temperature</b>	-40° F to 160° F (-40° C to 72° C)
<b>Electrical Connection</b>	Combination ¼" spade and screw clamp
<b>Material</b>	Light gray plastic
<b>Weight</b>	2.1 oz.
<b>Ordering Information</b>	UWZ48E + Desired Voltage + Frequency + U

#### Dimensions UWZ48E



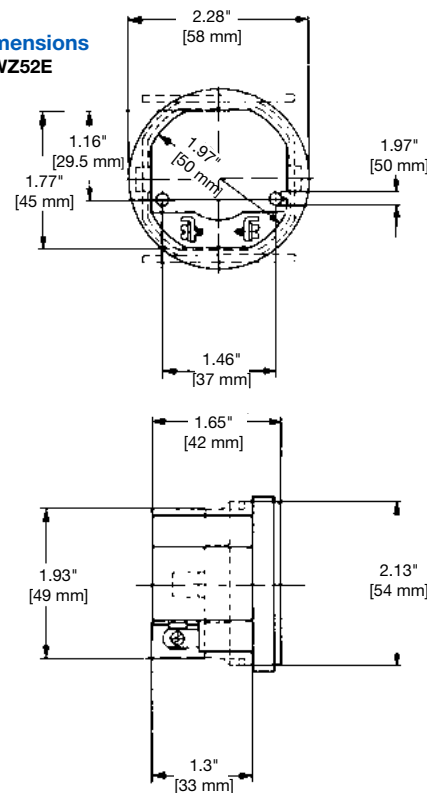
## UWZ52E Series

Flush Mount

Flush mounted with bracket, the UWZ52E with round face is fastened with a plastic slip-on retaining bracket.

Ratings	
<b>Voltage Available</b>	120 VAC
<b>Frequency</b>	60 Hz
<b>Power Consumption</b>	1 VA
<b>Bezel</b>	2.28" Ø (58 mm)
<b>Capacity</b>	99,999.99 hours
<b>Digits</b>	0.16" high numerals
<b>Operating Temperature</b>	-40° F to 160° F (-40° C to 72° C)
<b>Electrical Connection</b>	Combination ¼" spade and screw clamp
<b>Material</b>	Light gray plastic
<b>Weight</b>	2.1 oz.
<b>Ordering Information</b>	UWZ52E + Desired Voltage + Frequency + U

#### Dimensions UWZ52E



#151753



#E22587



#### Ordering Example:

To build a model #, choose the Hour Meter Series at the frequency you want. Then specify voltage and add a U suffix. Only 50 Hz models need to be denoted in the model #.

Select:	Series	+ VAC	+ Hz	= Model #
50 Hz Models:	<b>UWZ48E</b>	+ 220	+ /50U	= UWZ48E-220/50U
60 Hz Models:	<b>UWZ48E</b>	+ 24	+ (60)	= UWZ48E-24U