

Zone Valves

Models 555-1/2", 556-3/4", 557-1", 570-1/2", 571-3/4", 572-1", 573-1 1/4"

SUPERSEDES: June 25, 1983

EFFECTIVE: March 21, 2019

Plant I.D. 001-302

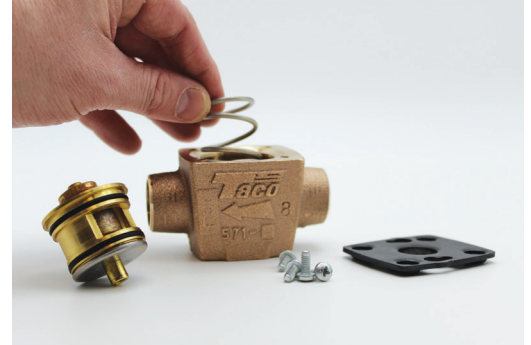
TO SERVICE



1. Twist off Power Head



2. Remove the 4 screws from hold down plate



3. Remove seat assembly



WARNING: Never remove Power Head while thermostat is calling for heat. If necessary to remove Power Head, disconnect No. 1 wire from Power Head, wait four (4) minutes, then proceed.

TO REASSEMBLE

Reverse above procedure pushing down on seat assembly and hold down plate against return spring.

APPLICATION

The Taco Heat Motor Zone Valve is an electricity operated valve used for zone control of Hydronic Heating and/or Cooling Systems. It controls the flow of water in a room or zone in response to the demands of the room or zone thermostat.

RATING

Electrical	Volts	24
	Amps	0.9
Temperature Range	Maximum	240°F (115°C)
	Minimum	40°F (5°C)
Working Pressure (at valve, including pump head)		125PSI (861kPa)
Maximum differential pressure across valve (pump head)	555-557	150 ft. (46m)
	570-573	65 ft (20m)
Service		Closed system water or water/glycol up to 50%

Size	Pressure Drop Characteristics			
	C _v	K _v	Equiv. Length of Pipe	
			Feet	Meters
1/2"	4.2	3.6	8	2.4
3/4"	6.1	5.3	20	6.1
1"	7.0	6.1	65	19.8
1 1/4"	7.2	6.2	150	45.7

INSTALLATION

Valves should be installed vertically, to simplify replacement or cleaning of the seat, if ever required at some future date. The vertical installation permits drawing a vacuum in the system and replacing or cleaning the seat without draining the system.

Valve may be sweat into the line without taking apart, provided, care is taken to prevent overheating. Follow these simple instructions:

1. Use a torch with sharp, pointed flame.
2. Clean surfaces thoroughly and use a good grade of flux.
3. Use of a solder with a melting point below 600°F is recommended. Do not overheat! Direct flame tip away from the center of the valve.
4. Avoid excessive use of flux.

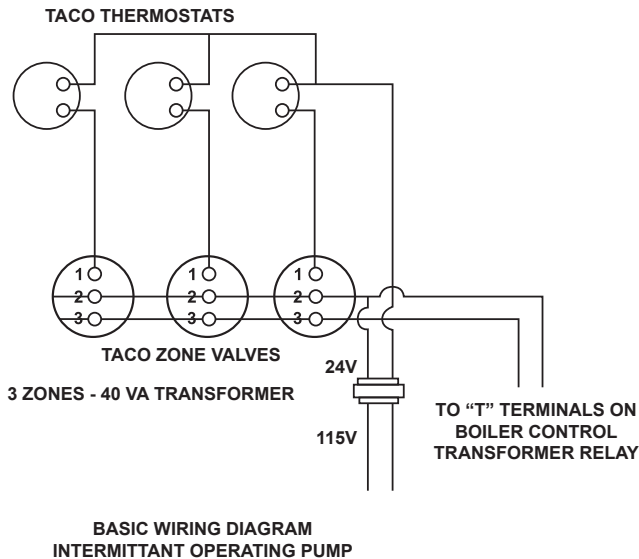
TRANSFORMER

Use a Model 569 Taco Transformer or other make rated at 115/24V-40VA. One transformer can accommodate a maximum of 3 Taco-Zone Valves.

MANUAL OPENING LEVER

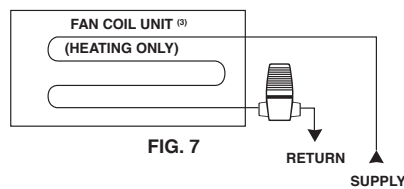
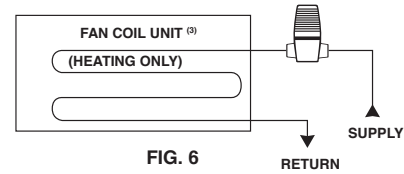
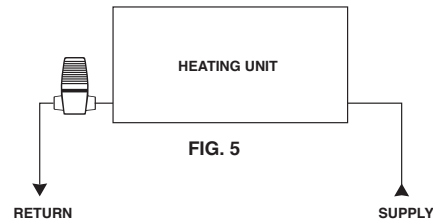
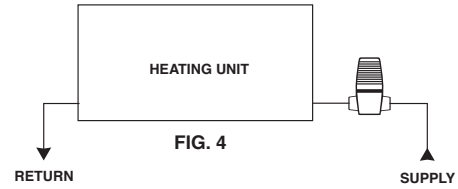
For gravity circulation thru valve, push lever in Power Head all the way down. Push back up to restore to automatic operation. Lever moves easily when valve is open. Resistance is encountered when valve is closed.

TYPICAL WIRING DIAGRAM



TYPICAL INSTALLATION DIAGRAM - INDIVIDUAL ROOM CONTROL

2 WAY MODELS



LIMITED WARRANTY STATEMENT

Taco, Inc. will repair or replace without charge (at the company's option) any product or part which is proven defective under normal use

- 550 Series: One (1) year from date code.
- 570 Series:
 - Body - Five (5) years from date code.
 - Power Head - Three (3) years from date code.

In order to obtain service under this warranty, it is the responsibility of the purchaser to promptly notify the local Taco stocking distributor or Taco in writing and promptly deliver the subject product or part, delivery prepaid, to the stocking distributor. For assistance on warranty returns, the purchaser may either contact the local Taco stocking distributor or Taco. If the subject product or part contains no defect as covered in this warranty, the purchaser will be billed for parts and labor charges in effect at time of factory examination and repair.

Any Taco product or part not installed or operated in conformity with Taco instructions or which has been subject to misuse, misapplication, the addition of petroleum-based fluids or certain chemical additives to the systems, or other abuse, will not be covered by this warranty.

If in doubt as to whether a particular substance is suitable for use with a Taco product or part, or for any application restrictions, consult the applicable Taco instruction sheets or contact Taco at [401-942-8000].

Taco reserves the right to provide replacement products and parts which are substantially similar in design and functionally equivalent to the defective product or part. Taco reserves the right to make changes in details of design, construction, or arrangement of materials of its products without notification.

TACO OFFERS THIS WARRANTY IN LIEU OF ALL OTHER EXPRESS WARRANTIES. ANY WARRANTY IMPLIED BY LAW INCLUDING WARRANTIES OF MERCHANTABILITY OR FITNESS IS IN EFFECT ONLY FOR THE DURATION OF THE EXPRESS WARRANTY SET FORTH IN THE FIRST PARAGRAPH ABOVE.

THE ABOVE WARRANTIES ARE IN LIEU OF ALL OTHER WARRANTIES, EXPRESS OR STATUTORY, OR ANY OTHER WARRANTY OBLIGATION ON THE PART OF TACO.

TACO WILL NOT BE LIABLE FOR ANY SPECIAL, INCIDENTAL, INDIRECT OR CONSEQUENTIAL DAMAGES RESULTING FROM THE USE OF ITS PRODUCTS OR ANY INCIDENTAL COSTS OF REMOVING OR REPLACING DEFECTIVE PRODUCTS.

This warranty gives the purchaser specific rights, and the purchaser may have other rights which vary from state to state. Some states do not allow limitations on how long an implied warranty lasts or on the exclusion of incidental or consequential damages, so these limitations or exclusions may not apply to you.

Taco Comfort Solutions® A Taco Family Company

Taco, Inc., 1160 Cranston Street, Cranston, RI 02920 | Tel: (401) 942-8000 | FAX: (401) 942-2360

Taco (Canada), Ltd., 8450 Lawson Road, Suite #3, Milton, Ontario L9T 0J8 | Tel: (905) 564-9422 | FAX: (905) 564-9436

Visit our web site: www.TacoComfort.com | Printed in USA | ©2019 Taco, Inc.

