

90% FURNACE VENT-DRAIN KIT

INSTALLATION INSTRUCTIONS

Description

This kit contains a vent-drain, two green hose clamps and instructions for properly installing the vent-drain on the flue/vent pipe.

Please read and carefully follow the instructions provided in this document.

NOTE: This kit is not intended for use on 34.5" Counter flow/horizontal model furnaces.

In the horizontal left installation position, the internal vent-drain elbow can be removed from the furnace for venting off the top (original left side) of the furnace. When using this configuration the RF000142 kit must be installed to prevent condensate from entering the inducer housing.



WARNING

To avoid death, personal injury or property damage due to electrical shock, disconnect the electrical power supply before servicing this unit.

Installation Procedure

Installation Procedure 34.5" Up Flow Models (See Figure 1)

1. Turn room thermostat to the "off".
2. Turn off 115 power and gas supply to furnace, confirm electricity safe condition before proceeding.
3. Remove the four screws securing the vent pipe flange to the furnace.
4. Loosen clamps on vent-drain elbow and remove vent pipe and elbow from furnace.
5. Measure 2½" from the vent pipe flange and cut pipe, remove burrs from flange.
6. Install RF000142 on draft inducer outlet (arrow pointing up and drain ports accessible) and tighten bottom clamp.
7. Remove the 3" plastic plug from the vent outlet hole and install 3" plastic plug in original vent pipe hole.
8. Install 2½" flange section from outside cabinet into RF000142 coupling and tighten top clamp.
9. Install four screws removed in step 3 securing flange to cabinet.
10. Using factory supplied drain hoses, fittings and clamps, connect one of the drain fittings on the RF000142 to the "vent" side of the furnace drain trap. ***The unused drain port of the RF000142 must be capped.***



RECOGNIZE THIS SYMBOL AS A SAFETY PRECAUTION

ATTENTION INSTALLING PERSONNEL

As a professional installer, you have an obligation to know the product better than the customer.
This includes all safety precautions and related items.

Prior to actual installation, thoroughly familiarize yourself with this Instruction Manual. Pay special attention to all safety warnings. Often during installation or repair, it is possible to place yourself in a position which is more hazardous than when the unit is in operation.

Remember, it is **your** responsibility to install the product safely and to know it well enough to be able to instruct a customer in its safe use.

Safety is a matter of common sense... a matter of thinking before acting.
Most dealers have a list of specific, good safety practices... follow them.

The precautions listed in this Installation Manual are intended as supplemental to existing practices. However, if there is a direct conflict between existing practices and the content of this manual, the precautions listed here take precedence.



11. Install venting per furnace installation manual.
12. Restore gas and electrical supply, start furnace and check venting and drain work for leaks before leaving site.

Installation Procedure 40" Models
(See Figure 2)

For 40" cabinets, the procedures for 34.5" models must be followed (in step 5, measure and cut length as required).

RF000142 vent-drain may also be installed outside the cabinet by first attaching the cut flange (measure and cut to

length) to the inducer with a 2" rubber coupling supplied with the furnace. Install the RF000142 on the flange and secure clamps. A field installed drain tube is needed to connect one of the drain port on the RF000142 to a field installed drain external to the furnace cabinet. Use green hose clamps provided to secure drain tube.

The unused drain port of the RF000142 must be capped.

The drain tube must be trapped to prevent flue gasses from escaping.

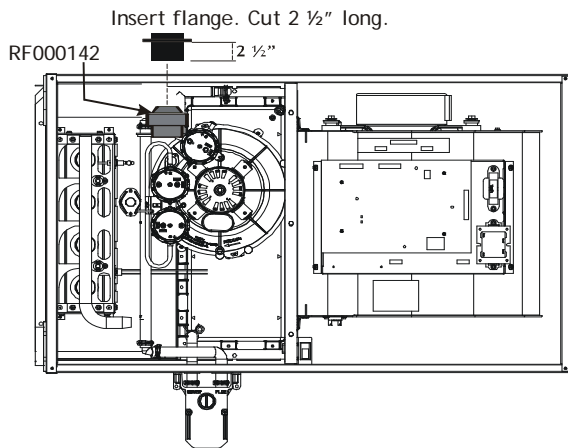


FIGURE #1
34.5" FURNACE MODELS
INTERNAL DRAIN CONNECTED TO "VENT" SIDE OF TRAP

"FIELD SUPPLIED DRAIN HOSE"
FROM VENT-DRAIN
CONNECTED TO CONDENSATE
DRAIN LINE WITH
"FIELD SUPPLIED CONNECTOR"

**NOTE: MAKE SMALL LOOP IN HOSE
TO SERVE AS "P-TRAP".**

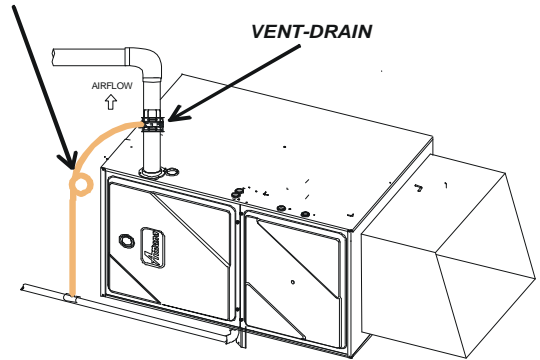
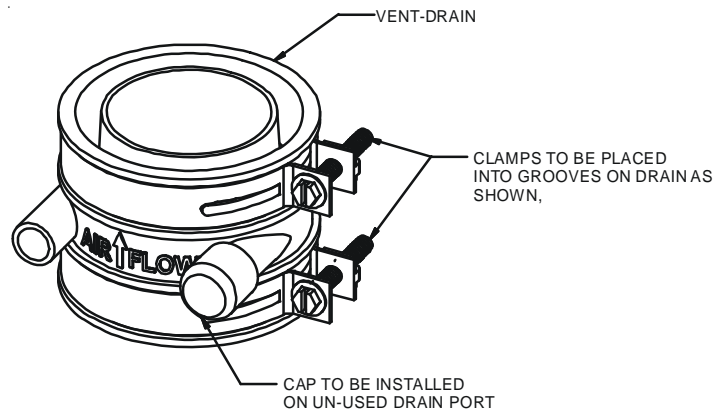


FIGURE #2
40" FURNACE MODELS
ALTERNATE FLUE/VENT LOCATION



NOTE: When installing the Vent-Drain in the flue/vent pipe, make sure it is installed correctly by verifying that the "Airflow Arrow" shown on the Vent-Drain is pointing in the right direction.