



Customer information packet

JL1205A

.33HP, 3450RPM, 1PH, 60HZ, 56J, 3416L, OPEN, F1

Class - None

Division - Not Applicable

Specifications

Enclosure	OPEN
Frame	56J
Frame Material	Steel
Frequency	60.00 Hz
Haz Area Class and Group	None
Haz Area Division	Not Applicable
Motor Letter Type	Cap Start, Induction Run
Output @ Frequency	.330 HP @ 60 HZ
Phase	1
Synchronous Speed @ Frequency	3600 RPM @ 60 HZ
Voltage @ Frequency	230.0 V @ 60 HZ 115.0 V @ 60 HZ
Agency Approvals	CSA UR
Ambient Temperature	40 °C
Auxillary Box	No Auxillary Box
Auxillary Box Lead Termination	None
Base Indicator	No Mounting
Bearing Grease Type	Polyrex EM (-20F +300F)
Blower	None
Current @ Voltage	6.200 A @ 115.0 V 3.100 A @ 230.0 V
Design Code	N
Drip Cover	Drip Cover
Duty Rating	CONT
Efficiency @ 100% Load	58.0 %
Electrically Isolated Bearing	Not Electrically Isolated
Feedback Device	NO FEEDBACK
Front Face Code	Terminal Panel
Front Shaft Indicator	None
Heater Indicator	No Heater
High Voltage Full Load Amps	3.1 a

Part detail

Revision	N
Type	AC
Mech. spec.	34F036
Base	
Status	PRD/A
Elec. spec.	34WG2534
Layout	34LYF036
Eff. date	09-18-2023
CD Diagram	CD0203
Poles	02
Leads	5#18,1#16 #1TH
Proprietary	False
Created date	02-22-2010

Insulation Class	B
Inverter Code	Not Inverter
KVA Code	L
Lifting Lugs	No Lifting Lugs
Locked Bearing Indicator	Locked Bearing
Motor Lead Exit	Terminal Panel Or Lead Hole
Motor Lead Quantity/Wire Size	5 @ 18 AWG
Motor Lead Termination	Flying Leads
Motor Standards	NEMA
Motor Type	3416L
Mounting Arrangement	F1
Number of Poles	2
Overall Length	11.89 IN
Power Factor	61
Product Family	General Purpose
Pulley End Bearing Type	Ball
Pulley Face Code	C-Face
Pulley Shaft Indicator	Ext Thread
Rodent Screen	None
RoHS Status	ROHS COMPLIANT
Service Factor	1.75
Shaft Diameter	0.625 IN
Shaft Extension Location	Pulley End
Shaft Ground Indicator	No Shaft Grounding
Shaft Rotation	Fixed Opposite Standard
Shaft Slinger Indicator	No Slinger
Speed	3450 rpm
Speed Code	Single Speed
Starting Method	Direct on line
Thermal Device - Bearing	None
Thermal Device - Winding	None
Vibration Sensor Indicator	No Vibration Sensor
Winding Thermal 1	Automatic Thermal Overload
Winding Thermal 1 Location	SB

Winding Thermal 2

None

Nameplate

NP1257L									
CAT.NO.	JL1205A								
SPEC.	34F036-2534G4								
HP	.33								
VOLTS	115/230								
AMP	6.2/3.1								
RPM	3450								
FRAME	56J			HZ	60		PH	1	
SER.F.	1.75	CODE	L	DES	N	CL	B		
NEMA-NOM-EFF	58	PF	61						
RATING	40C AMB-CONT								
CC									
DE	6203	ODE	6203						
ENCL	OPEN	SN							
	SFA 7.6/3.8								

AC Induction Motor Performance Data

Record # 6650

Typical performance - not guaranteed values

Winding: 34WG2534-R001		Type: 3416L	Enclosure: OPEN	
Nameplate Data			230 V, 60 Hz: High Voltage Connection	
Rated Output (HP)	.33	Full Load Torque	0.5 LB-FT	
Volts	115/230	Start Configuration	direct on line	
Full Load Amps	6.2/3.1	Breakdown Torque	1.7 LB-FT	
R.P.M.	3450	Pull-up Torque	1.5 LB-FT	
Hz	60 Phase	Locked-rotor Torque	1.6 LB-FT	
NEMA Design Code	N KVA Code	Starting Current	14.5 A	
Service Factor (S.F.)	1.75	No-load Current	2.55 A	
NEMA Nom. Eff.	58 Power Factor	Line-line Res. @ 25°C	4.92 Ω A Ph 3.95 Ω B Ph	
Rating - Duty	40C AMB-CONT	Temp. Rise @ Rated Load	31°C	
S.F. Amps	7.6/3.8	Temp. Rise @ S.F. Load	43°C	

Load Characteristics 230 V, 60 Hz, 0.33 HP

% of Rated Load	25	50	75	100	125	150	S.F.
Power Factor	39	48	56	63	69	73	81
Efficiency	26	40.6	49.5	55.3	59.1	61.6	66.7
Speed	3561	3544	3525	3505	3484	3461	3442
Line amperes	2.6	2.75	2.9	3.05	3.3	3.55	3.8

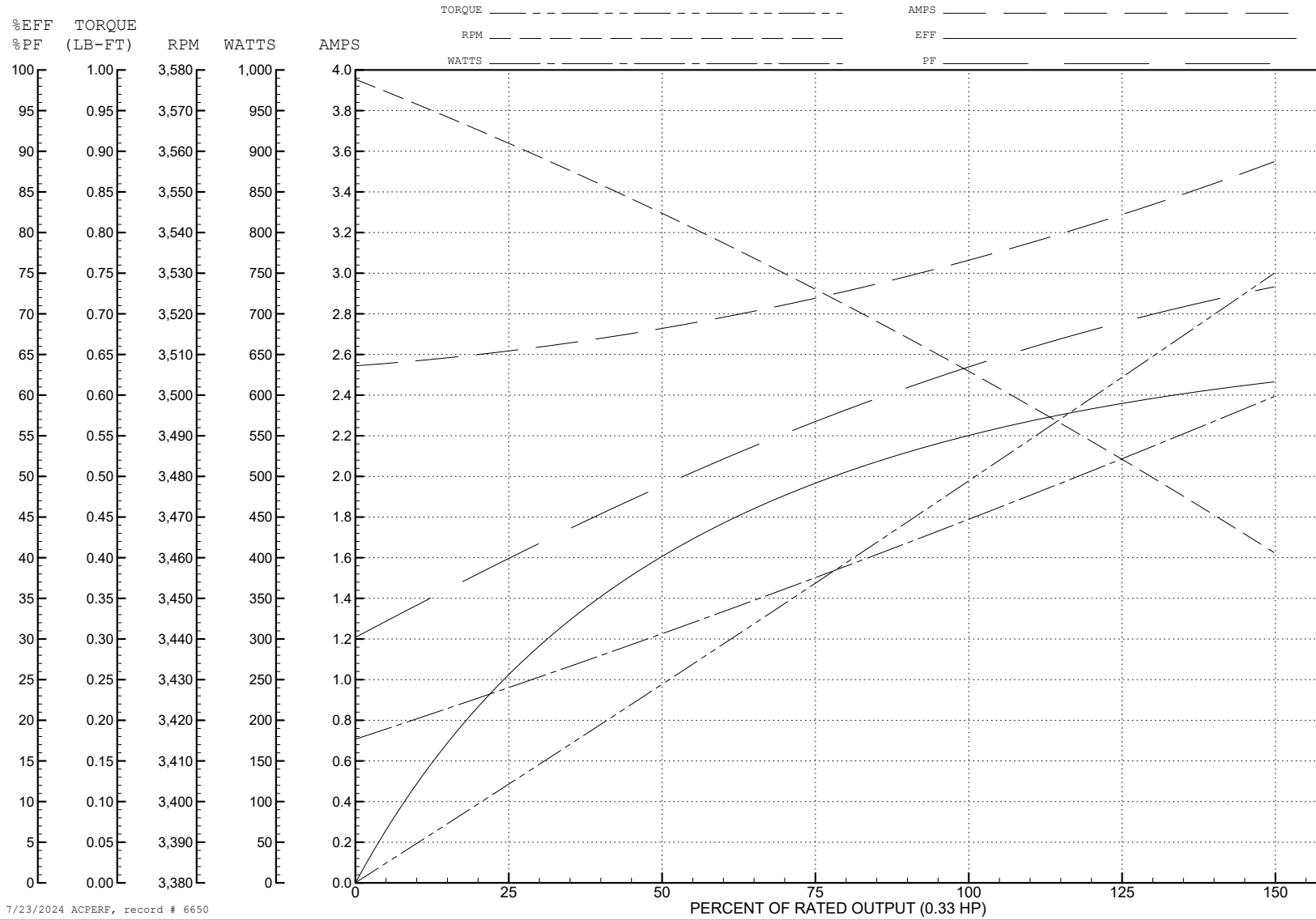
ABB Motors and Mechanical Inc.

WINDING # 34WG2534

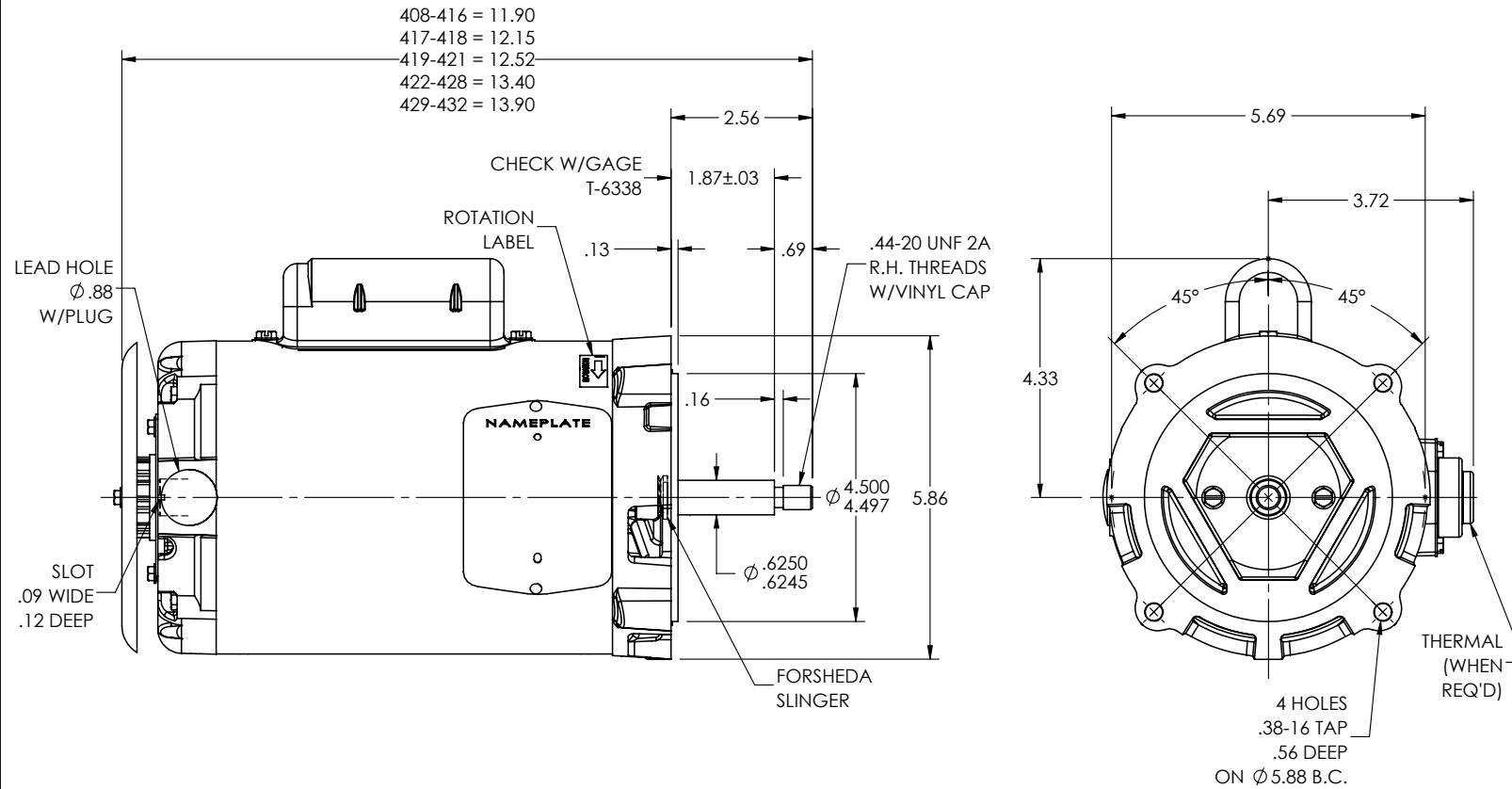
0.33 HP 1 PH 60 HZ 3450 RPM 230 V 3416L

Typical performance - not guaranteed values.

TORQUES (LB-FT): PO=1.7 PU=1.5 LR=1.6 LRA=14.5



34LYF036



CUSTOMER IS RESPONSIBLE FOR DETERMINING THAT THE PRODUCT WILL PERFORM SUITABLY IN THE INTENDED APPLICATION

REV. DESC: LOAD TO SOLIDWORKS - REV J

REV: K VERSION: 03 REVISED: 02:24:33 12/28/2022 TDR: 000001201165

34LYF036

MODEL NO. 34LYF036
 BY: ENFRAJ0

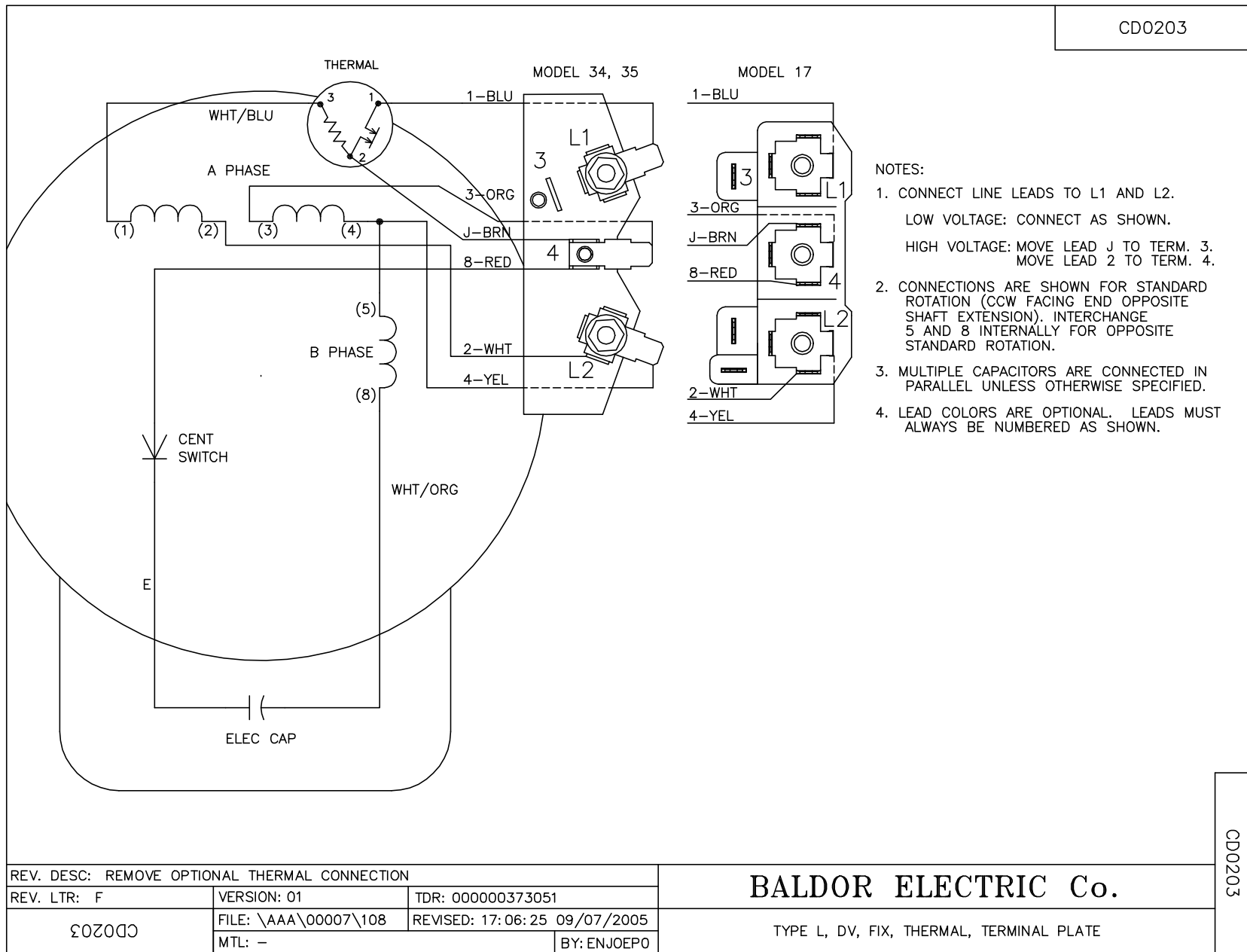
REF: -

BALDOR - RELIANCE®

STD VERT 34L NEMA 56J OPEN W/DRIP COVER & TERM PLATE

34LYF036

CD0203



REV. DESC: REMOVE OPTIONAL THERMAL CONNECTION		
REV. LTR: F	VERSION: 01	TDR: 000000373051
CD0203	FILE: \AAA\00007\108	REVISED: 17:06:25 09/07/2005
	MTL: -	BY: ENJOEPO

BALDOR ELECTRIC Co.

TYPE L, DV, FIX, THERMAL, TERMINAL PLATE

CD0203